

### 3 Watt Zener Diode • 5% Tolerance • Case C

| CENTRAL TYPE NO. | Zener Voltage Vz @ Iz | Test Current Iz | Zener Impedance Zz | Maximum Zener Current IZM | CENTRAL TYPE NO. | Zener Voltage Vz @ Iz | Test Current Iz | Zener Impedance Zz | Maximum Zener Current IZM |
|------------------|-----------------------|-----------------|--------------------|---------------------------|------------------|-----------------------|-----------------|--------------------|---------------------------|
|                  | Volts                 | mA              | Ohms               | mA                        |                  | Volts                 | mA              | Ohms               | mA                        |
| C3Z6.2B          | 6.2                   | 75              | 2.0                | 480                       | C3Z47B           | 47                    | 15              | 43                 | 64                        |
| C3Z6.8B          | 6.8                   | 75              | 2.0                | 440                       | C3Z50B           | 50                    | 15              | 50                 | 60                        |
| C3Z7.5B          | 7.5                   | 75              | 2.0                | 400                       | C3Z51B           | 51                    | 15              | 50                 | 59                        |
| C3Z8.2B          | 8.2                   | 75              | 3.0                | 366                       | C3Z52B           | 52                    | 15              | 60                 | 58                        |
| C3Z9.1B          | 9.1                   | 75              | 3.0                | 330                       | C3Z56B           | 56                    | 10              | 70                 | 64                        |
| C3Z10B           | 10                    | 75              | 4.0                | 300                       | C3Z62B           | 62                    | 10              | 75                 | 48                        |
| C3Z11B           | 11                    | 70              | 5.0                | 273                       | C3Z68B           | 68                    | 10              | 85                 | 44                        |
| C3Z12B           | 12                    | 60              | 5.0                | 250                       | C3Z75B           | 75                    | 10              | 100                | 40                        |
| C3Z13B           | 13                    | 50              | 6.0                | 231                       | C3Z82B           | 82                    | 10              | 120                | 37                        |
| C3Z14B           | 14                    | 50              | 6.0                | 214                       | C3Z91B           | 91                    | 8.0             | 155                | 33                        |
| C3Z15B           | 15                    | 50              | 6.0                | 200                       | C3Z100B          | 100                   | 7.0             | 175                | 30                        |
| C3Z16B           | 16                    | 50              | 7.0                | 188                       | C3Z105B          | 105                   | 6.0             | 200                | 29                        |
| C3Z17B           | 17                    | 50              | 7.0                | 176                       | C3Z110B          | 110                   | 5.0             | 250                | 27                        |
| C3Z18B           | 18                    | 40              | 8.0                | 167                       | C3Z120B          | 120                   | 5.0             | 325                | 25                        |
| C3Z19B           | 19                    | 40              | 9.0                | 158                       | C3Z130B          | 130                   | 5.0             | 375                | 23                        |
| C3Z20B           | 20                    | 40              | 9.0                | 150                       | C3Z140B          | 140                   | 5.0             | 550                | 21                        |
| C3Z22B           | 22                    | 30              | 10                 | 136                       | C3Z150B          | 150                   | 5.0             | 625                | 20                        |
| C3Z24B           | 24                    | 30              | 10                 | 125                       | C3Z160B          | 160                   | 4.0             | 700                | 19                        |
| C3Z25B           | 25                    | 30              | 10                 | 120                       | C3Z180B          | 180                   | 4.0             | 850                | 17                        |
| C3Z27B           | 27                    | 25              | 12                 | 111                       | C3Z200B          | 200                   | 4.0             | 950                | 15                        |
| C3Z30B           | 30                    | 25              | 15                 | 100                       |                  |                       |                 |                    |                           |
| C3Z33B           | 33                    | 20              | 21                 | 91                        |                  |                       |                 |                    |                           |
| C3Z36B           | 36                    | 20              | 21                 | 83                        |                  |                       |                 |                    |                           |
| C3Z39B           | 39                    | 20              | 27                 | 77                        |                  |                       |                 |                    |                           |
| C3Z43B           | 43                    | 15              | 35                 | 70                        |                  |                       |                 |                    |                           |
| C3Z45B           | 45                    | 15              | 37                 | 67                        |                  |                       |                 |                    |                           |

### 5 Watt Zener Diode • 5% Tolerance • Case C

| TYPE NO. | CENTRAL TYPE NO. | Zener Voltage Vz @ Iz | Test Current Iz | Zener Impedance Zz | Maximum Zener Current IZM | TYPE NO. | CENTRAL TYPE NO. | Zener Voltage Vz @ Iz | Test Current Iz | Zener Impedance Zz | Maximum Zener Current IZM |
|----------|------------------|-----------------------|-----------------|--------------------|---------------------------|----------|------------------|-----------------------|-----------------|--------------------|---------------------------|
|          |                  | Volts                 | mA              | Ohms               | mA                        |          |                  | Volts                 | mA              | Ohms               | mA                        |
| 1N5333B  | C5Z3.3B          | 3.3                   | 380             | 3.0                | 1440                      | 1N5361B  | C5Z27B           | 27                    | 50              | 5.0                | 176                       |
| 1N5334B  | C5Z3.6B          | 3.6                   | 350             | 2.5                | 1320                      | 1N5362B  | C5Z28B           | 28                    | 50              | 6.0                | 170                       |
| 1N5335B  | C5Z3.9B          | 3.9                   | 320             | 2.0                | 1220                      | 1N5363B  | C5Z30B           | 30                    | 40              | 8.0                | 158                       |
| 1N5336B  | C5Z4.3B          | 4.3                   | 290             | 2.0                | 1100                      | 1N5364B  | C5Z33B           | 33                    | 40              | 10                 | 144                       |
| 1N5337B  | C5Z4.7B          | 4.7                   | 260             | 2.0                | 1010                      | 1N5365B  | C5Z36B           | 36                    | 30              | 11                 | 132                       |
| 1N5338B  | C5Z5.1B          | 5.1                   | 240             | 1.5                | 930                       | 1N5366B  | C5Z39B           | 39                    | 30              | 14                 | 122                       |
| 1N5339B  | C5Z5.6B          | 5.6                   | 220             | 1.0                | 865                       | 1N5367B  | C5Z43B           | 43                    | 30              | 20                 | 110                       |
| 1N5340B  | C5Z6.0B          | 6.0                   | 200             | 1.0                | 790                       | 1N5368B  | C5Z47B           | 47                    | 25              | 25                 | 100                       |
| 1N5341B  | C5Z6.2B          | 6.2                   | 200             | 1.0                | 765                       | 1N5369B  | C5Z51B           | 51                    | 25              | 27                 | 93.0                      |
| 1N5342B  | C5Z6.8B          | 6.8                   | 175             | 1.0                | 700                       | 1N5370B  | C5Z56B           | 56                    | 20              | 35                 | 86.0                      |
| 1N5343B  | C5Z7.5B          | 7.5                   | 175             | 1.5                | 630                       | 1N5371B  | C5Z60B           | 60                    | 20              | 40                 | 79.0                      |
| 1N5344B  | C5Z8.2B          | 8.2                   | 150             | 1.5                | 580                       | 1N5372B  | C5Z62B           | 62                    | 20              | 42                 | 76.0                      |
| 1N5345B  | C5Z8.7B          | 8.7                   | 150             | 2.0                | 545                       | 1N5373B  | C5Z68B           | 68                    | 20              | 44                 | 70.0                      |
| 1N5346B  | C5Z9.1B          | 9.1                   | 150             | 2.0                | 520                       | 1N5374B  | C5Z75B           | 75                    | 20              | 45                 | 63.0                      |
| 1N5347B  | C5Z10B           | 10                    | 125             | 2.0                | 475                       | 1N5375B  | C5Z82B           | 82                    | 15              | 65                 | 58.0                      |
| 1N5348B  | C5Z11B           | 11                    | 125             | 2.5                | 430                       | 1N5376B  | C5Z87B           | 87                    | 15              | 75                 | 54.0                      |
| 1N5349B  | C5Z12B           | 12                    | 100             | 2.5                | 395                       | 1N5377B  | C5Z91B           | 91                    | 15              | 75                 | 52.5                      |
| 1N5350B  | C5Z13B           | 13                    | 100             | 2.5                | 365                       | 1N5378B  | C5Z100B          | 100                   | 12              | 90                 | 47.5                      |
| 1N5351B  | C5Z14B           | 14                    | 100             | 2.5                | 340                       | 1N5379B  | C5Z110B          | 110                   | 12              | 125                | 43.0                      |
| 1N5352B  | C5Z15B           | 15                    | 75              | 2.5                | 315                       | 1N5380B  | C5Z120B          | 120                   | 10              | 170                | 39.5                      |
| 1N5353B  | C5Z16B           | 16                    | 75              | 2.5                | 295                       | 1N5381B  | C5Z130B          | 130                   | 10              | 190                | 36.6                      |
| 1N5354B  | C5Z17B           | 17                    | 70              | 2.5                | 280                       | 1N5382B  | C5Z140B          | 140                   | 8.0             | 230                | 34.0                      |
| 1N5355B  | C5Z18B           | 18                    | 65              | 2.5                | 264                       | 1N5383B  | C5Z150B          | 150                   | 8.0             | 330                | 31.6                      |
| 1N5356B  | C5Z19B           | 19                    | 65              | 3.0                | 250                       | 1N5384B  | C5Z160B          | 160                   | 8.0             | 350                | 29.4                      |
| 1N5357B  | C5Z20B           | 20                    | 65              | 3.0                | 237                       | 1N5385B  | C5Z170B          | 170                   | 8.0             | 380                | 28.0                      |
| 1N5358B  | C5Z22B           | 22                    | 50              | 3.5                | 216                       | 1N5386B  | C5Z180B          | 180                   | 5.0             | 430                | 26.4                      |
| 1N5359B  | C5Z24B           | 24                    | 50              | 3.5                | 198                       | 1N5387B  | C5Z190B          | 190                   | 5.0             | 450                | 25.0                      |
| 1N5360B  | C5Z25B           | 25                    | 50              | 4.0                | 190                       | 1N5388B  | C5Z200B          | 200                   | 5.0             | 480                | 23.6                      |

# CASE OUTLINE DRAWINGS

D



CASE A

CBR1 Series  
CBR2 Series



CASE B

CBR1-L Series  
CBR2-L Series



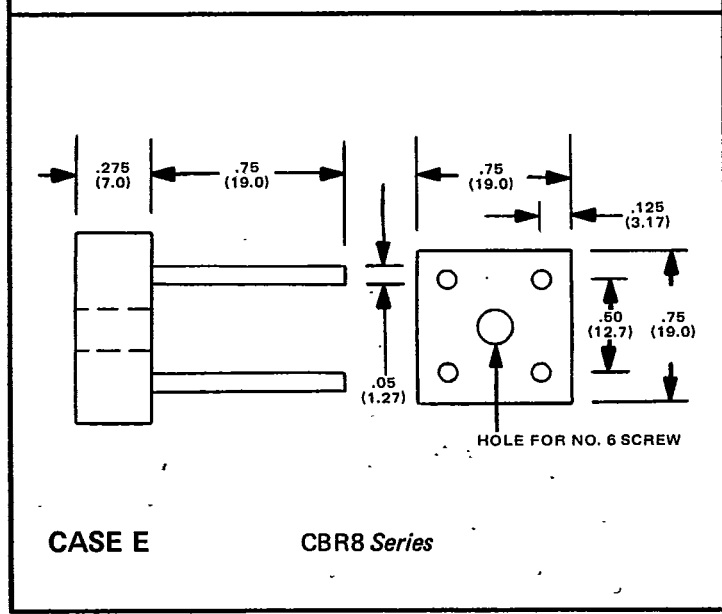
CASE C

CBR3-P Series



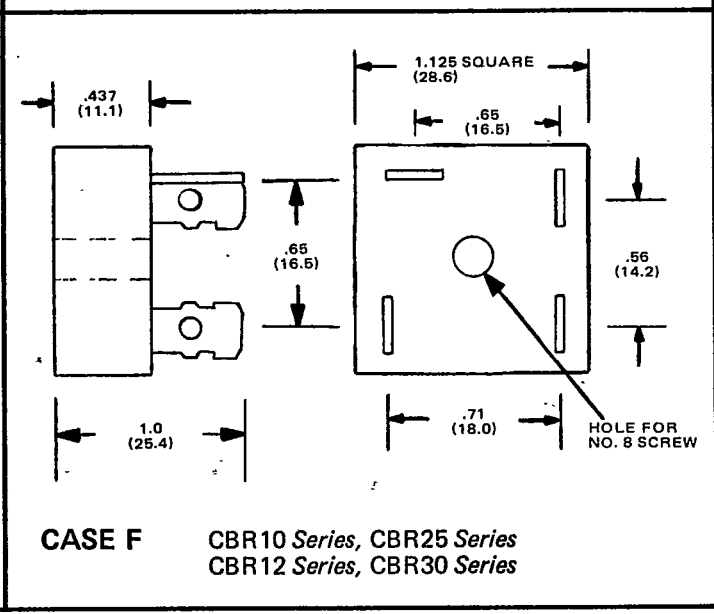
CASE D

CBR4-L Series



CASE E

CBR8 Series



CASE F

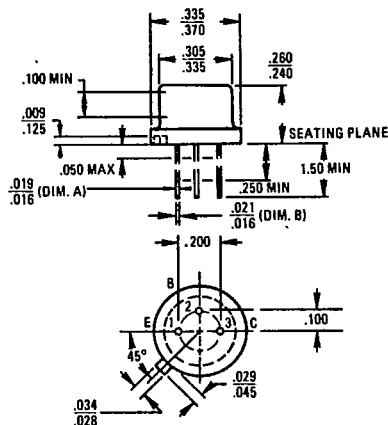
CBR10 Series, CBR25 Series  
CBR12 Series, CBR30 Series

All Dimensions in Inches (Millimeters)  
Drawings Not To Scale

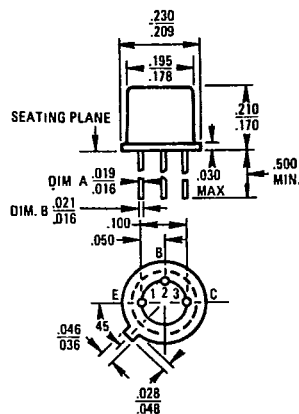
f

# MECHANICAL OUTLINE DRAWINGS

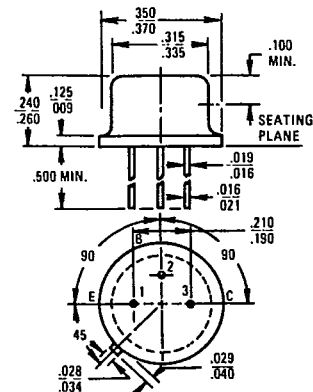
TO-5



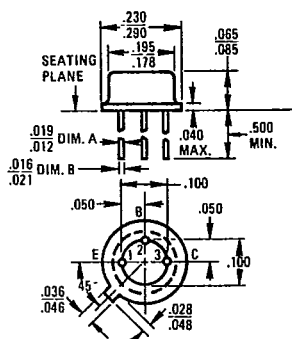
TO-18



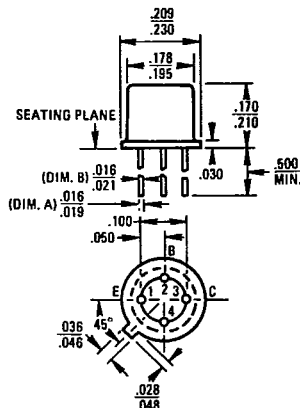
TO-39



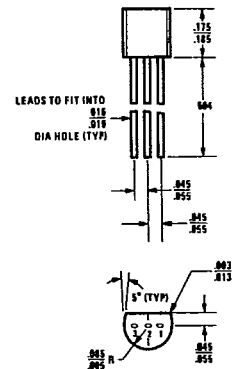
TO-46



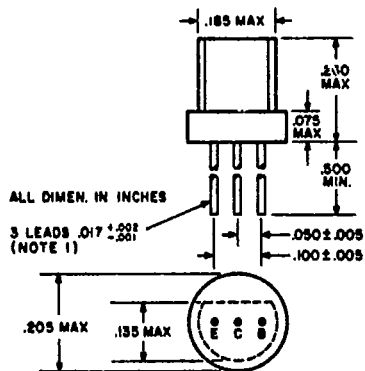
TO-72



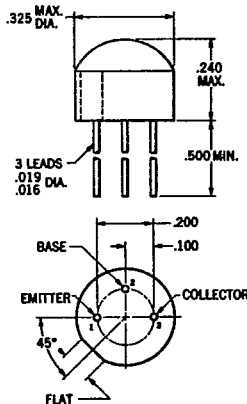
TO-92



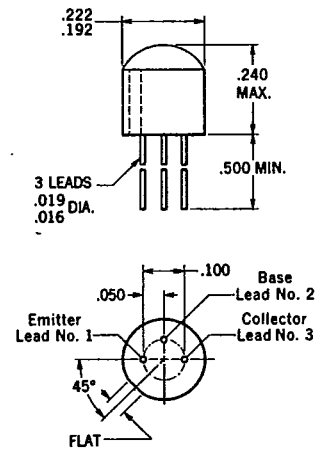
TO-98



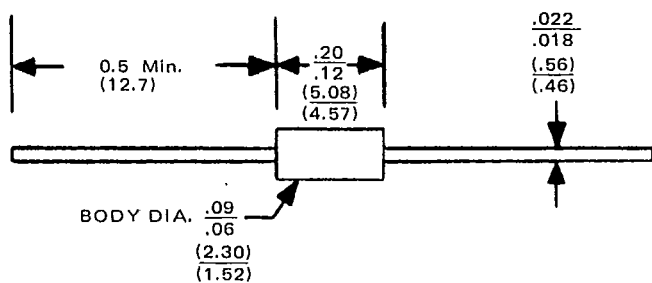
TO-105



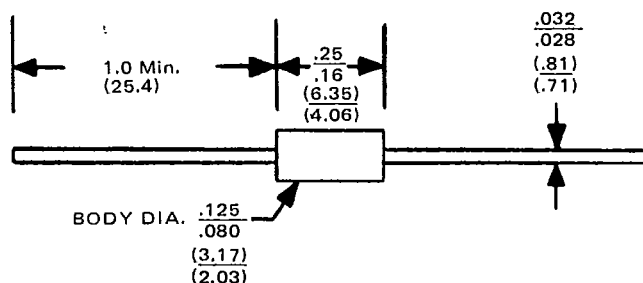
TO-106



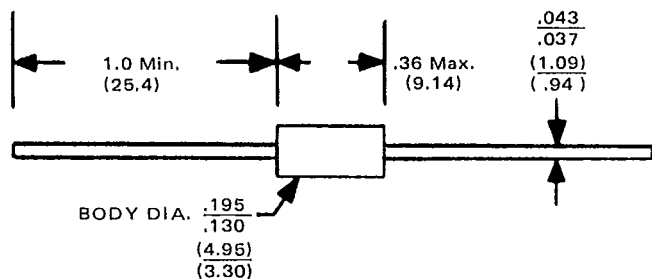
# OUTLINE DRAWINGS FOR CENTRAL SEMICONDUCTOR ZENER DIODES



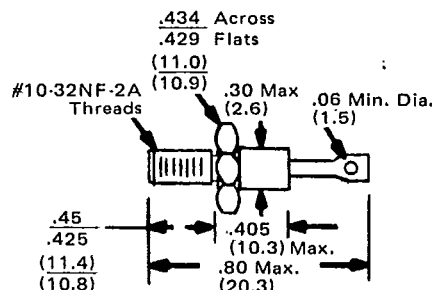
CASE A (Do-35)



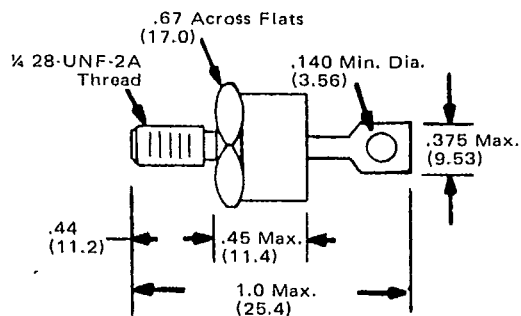
CASE B



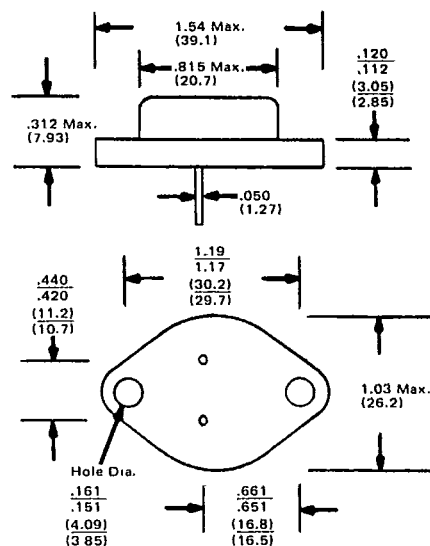
CASE C



CASE D (Do-4)



CASE E (Do-5)



CASE F (To-3)

ALL DIMENSIONS IN INCHES (MILLIMETERS)

DRAWINGS NOT TO SCALE