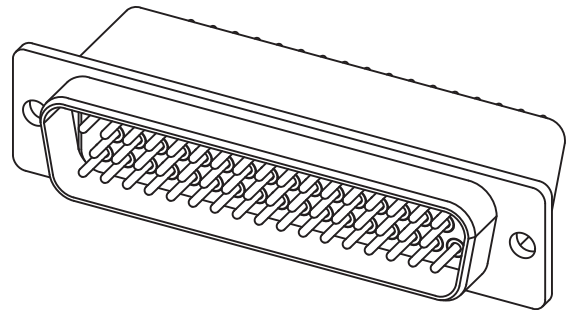
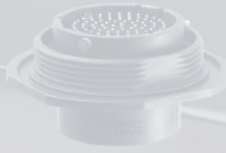


Page 31 Completed Part Number
 (See Table) Insert Arrangements
 Pages 10–11 Electrical Performance
 Page 9 Mechanical and Environmental Performance
 Pages 10–11 Filter Selection

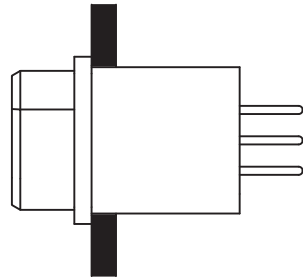


| Shell Size | Standard Layout #20 Contact | High Density Layout #22D Contact | A | | B | | B | | C | | D | | D | | E | | F | | G | |
|------------|-----------------------------|----------------------------------|---------------|------------|--------------------------|-----------------------|-----------------------------|--------------------------|---------------|------------|--------------------------|-----------------------|-----------------------------|--------------------------|---------------|------------|---------------|------------|---------------|------------|
| | | | ±.015 inch | ±.38 mm | for pin ±.005 inch | for pin ±.13 mm | for socket ±.005 inch | for socket ±.13 mm | ±.005 inch | ±.13 mm | for pin ±.005 inch | for pin ±.13 mm | for socket ±.005 inch | for socket ±.13 mm | ±.015 inch | ±.38 mm | ±.010 inch | ±.25 mm | ±.010 inch | ±.25 mm |
| 1 | 9 | 15 | 1.213 | 30.81 | .666 | 16.92 | .643 | 16.33 | .984 | 24.99 | .329 | 8.36 | .309 | 7.85 | .494 | 12.55 | .759 | 19.28 | .422 | 10.72 |
| 2 | 15 | 26 | 1.541 | 39.14 | .994 | 25.25 | .971 | 24.66 | 1.312 | 33.32 | .329 | 8.36 | .309 | 7.85 | .494 | 12.55 | 1.083 | 27.51 | .422 | 10.72 |
| 3 | 25 | 44 | 2.088 | 53.04 | 1.534 | 38.96 | 1.511 | 38.38 | 1.852 | 47.04 | .329 | 8.36 | .309 | 7.85 | .494 | 12.55 | 1.625 | 41.28 | .422 | 10.72 |
| 4 | 37 | 62 | 2.729 | 69.32 | 2.182 | 55.42 | 2.159 | 54.84 | 2.500 | 63.50 | .329 | 8.36 | .309 | 7.85 | .494 | 12.55 | 2.272 | 57.71 | .422 | 10.72 |
| 5 | 50 | 78 | 2.635 | 66.93 | 2.079 | 52.81 | 2.064 | 52.43 | 2.406 | 61.11 | .441 | 11.20 | .423 | 10.74 | .605 | 15.37 | 2.178 | 55.32 | .534 | 13.56 |
| 6 | - | 104 | 2.729 | 69.32 | 2.212 | 56.18 | 2.189 | 55.60 | 2.500 | 63.50 | .503 | 12.78 | .485 | 12.32 | .668 | 16.97 | 2.302 | 58.47 | .596 | 15.14 |

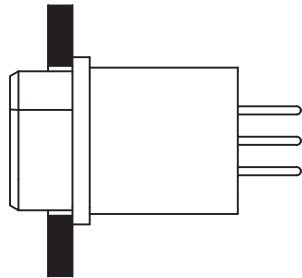
**MIL-DTL-24308 D-Sub
J085P/R
Mounting Dimensions**



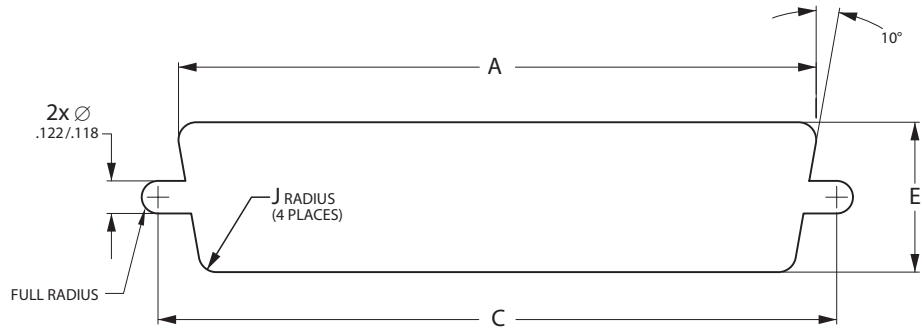
D-Subminiature Connectors



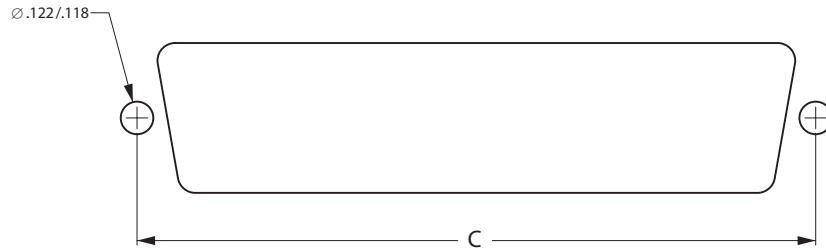
FRONT MOUNTING



REAR MOUNTING



STANDARD CUTOUT (Front or Rear Mount)



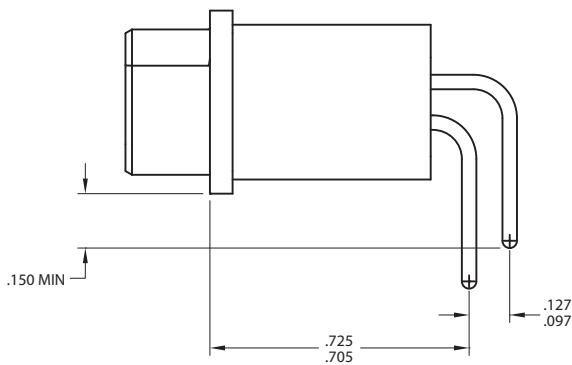
OPTIONAL CUTOUT (for Rear Mounting)

| Shell Size | A | | A | | C | | C | | E | | E | | J | | J | |
|------------|---------------|------------|---------------|------------|---------------|------------|---------------|------------|---------------|------------|---------------|------------|---------------|------------|---------------|------------|
| | Front Mount | | Rear Mount | | Front Mount | | Rear Mount | | Front Mount | | Rear Mount | | Front Mount | | Rear Mount | |
| | ±.005 inch | ±.13 mm | ±.005 inch | ±.13 mm | ±.005 inch | ±.13 mm | ±.005 inch | ±.13 mm | ±.005 inch | ±.13 mm | ±.005 inch | ±.13 mm | ±.005 inch | ±.13 mm | ±.005 inch | ±.13 mm |
| 1 | .833 | 21.16 | .806 | 20.47 | .984 | 24.99 | .984 | 24.99 | .485 | 12.32 | .449 | 11.40 | .065 | 1.65 | .132 | 3.35 |
| 2 | 1.161 | 29.49 | 1.134 | 28.80 | 1.312 | 33.32 | 1.312 | 33.32 | .485 | 12.32 | .449 | 11.40 | .065 | 1.65 | .132 | 3.35 |
| 3 | 1.700 | 43.18 | 1.674 | 42.52 | 1.852 | 47.04 | 1.852 | 47.04 | .485 | 12.32 | .449 | 11.40 | .065 | 1.65 | .132 | 3.35 |
| 4 | 2.349 | 59.66 | 2.326 | 59.08 | 2.500 | 63.50 | 2.500 | 63.50 | .485 | 12.32 | .449 | 11.40 | .065 | 1.65 | .132 | 3.35 |
| 5 | 2.254 | 57.25 | 2.218 | 56.34 | 2.406 | 61.11 | 2.406 | 61.11 | .593 | 15.06 | .555 | 14.10 | .065 | 1.65 | .132 | 3.35 |
| 6 | 2.372 | 60.25 | 2.250 | 57.15 | 2.500 | 63.50 | 2.500 | 63.50 | .655 | 16.64 | .617 | 15.67 | .065 | 1.65 | .132 | 3.35 |

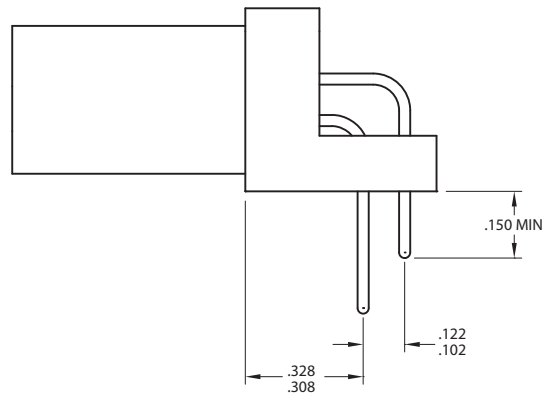


Right Angle Printed Circuit Termination

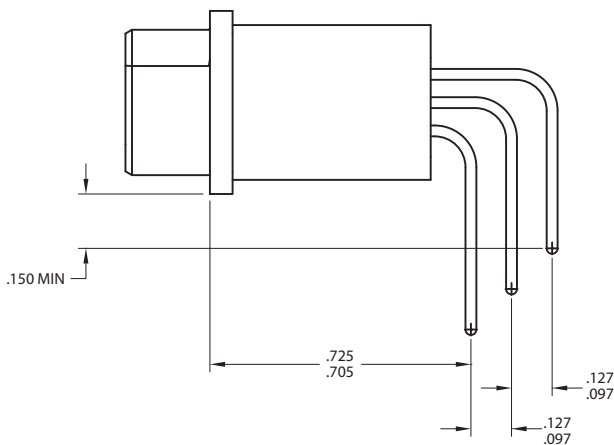
A popular variation of the D-Sub family is the right angle contact termination. Jerrick can provide the 90° contact bending for signal and some power pins (non standard arrangements). We also supply two configurations of shells, shown here in both 2 row and 3 row versions. While the original design relies on the contacts soldered to the board to support the assembly, the customer can use the newer board mount style for added mechanical integrity in vibration.



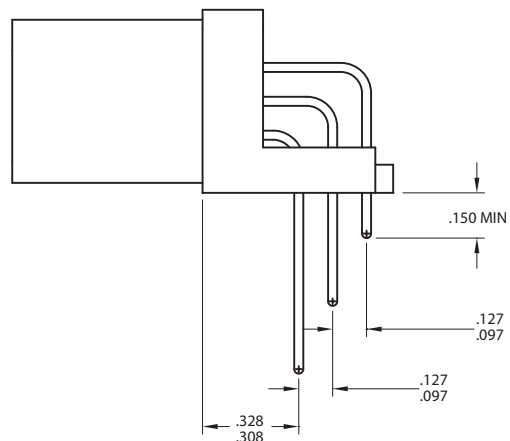
2 ROW CONFIGURATION (9, 15, 25, 37 Contact Arrangements)



2 ROW BOARD-MOUNT CONFIGURATION



3 ROW CONFIGURATION (50 Contact Arrangements)



3 ROW BOARD-MOUNT CONFIGURATION