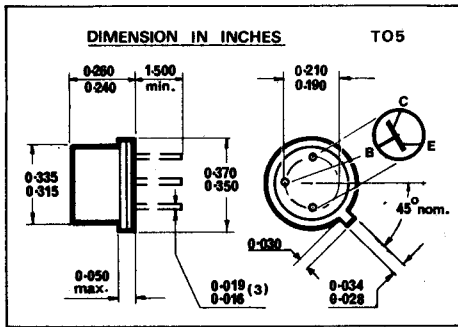


**Silicon NPN/PNP Power Transistors—Up to 7 Amp**

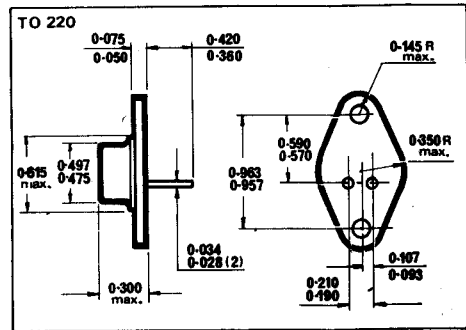
REFERENCE TABLE

I <sub>C</sub> (A)	Code	Polarity	Outline	Absolute Maximum Ratings				Electrical Characteristics (T <sub>C</sub> =25°C)						Stock No	
				V <sub>CEO</sub> (V)	V <sub>CE0</sub> (V)	I <sub>C</sub> (A)	P <sub>TOT</sub> (W)	h <sub>FE</sub> Min.	at Max.	V <sub>CE</sub> (V)	I <sub>C</sub> (A)	V <sub>CE(SAT)</sub> Max.(V)	I <sub>C</sub> (A)		I <sub>B</sub> (A)
0.7	2N3053	NPN	TO5	60	40	0.7	5	50	250	10	0.15	1.4	0.15	0.015	35059F
	2N4911	NPN	TO66	60	60	2.0	25	20	100	1.0	0.5	0.6	1.0	0.1	35091F
2.0	2N4912	NPN	TO66	80	80	2.0	25	20	100	1.0	0.5	0.6	1.0	0.1	35092D
	2N3740	PNP	TO66	60	60	2.0	25	30	100	1.0	0.3	0.6	1.0	0.125	35044R
4.0	2N3741	PNP	TO66	80	80	2.0	25	30	100	1.0	0.3	0.6	1.0	0.125	35045G
	2N3054	NPN	TO66	90	55	4.0	25	25	100	4.0	0.5	1.0	0.5	0.05	35060R
	2N5294	NPN	TO220AB	80	70	4.0	36	30	120	4.0	0.5	2.0	4.0	1.0	35046E
	2N5296	NPN	TO220AB	60	40	4.0	36	30	120	4.0	0.5	2.0	4.0	1.0	35047C
5.0	2N5298	NPN	TO220AB	80	60	4.0	36	20	80	4.0	0.5	2.0	4.0	1.0	35048A
	2N3719	PNP	TO5	40	40	5.0	6	25	180	1.5	1.0	1.5	3.0	0.3	35050B
7.0	2N3720	PNP	TO5	60	60	5.0	6	25	180	1.5	1.0	1.5	3.0	0.3	35049X
	2N5490	NPN	TO220AB	60	40	7.0	50	20	100	4.0	2.0	1.0	2.0	0.2	35051X
	2N5492	NPN	TO220AB	75	55	7.0	50	20	100	4.0	2.5	1.0	2.5	0.25	35052R
	2N5494	NPN	TO220AB	60	40	7.0	50	20	100	4.0	3.0	1.0	3.0	0.3	35053G
	2N5496	NPN	TO220AB	90	70	7.0	50	20	100	4.0	3.5	1.0	3.5	0.35	35090H

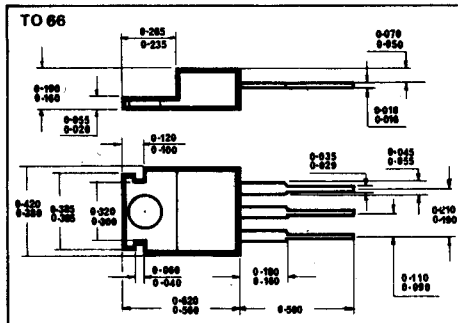
PHYSICAL DIMENSIONS



PHYSICAL DIMENSIONS



PHYSICAL DIMENSIONS



MANUFACTURER'S CURRENT LIST PRICES ARE ALWAYS CHARGED