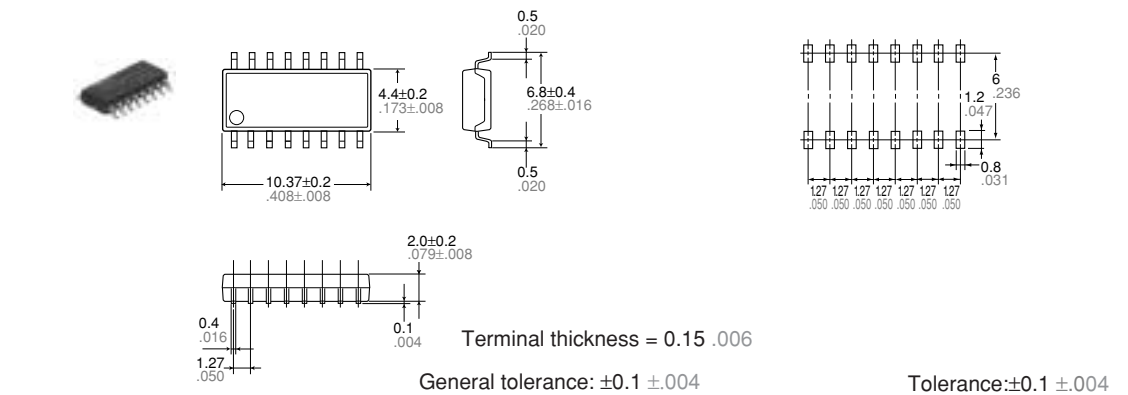
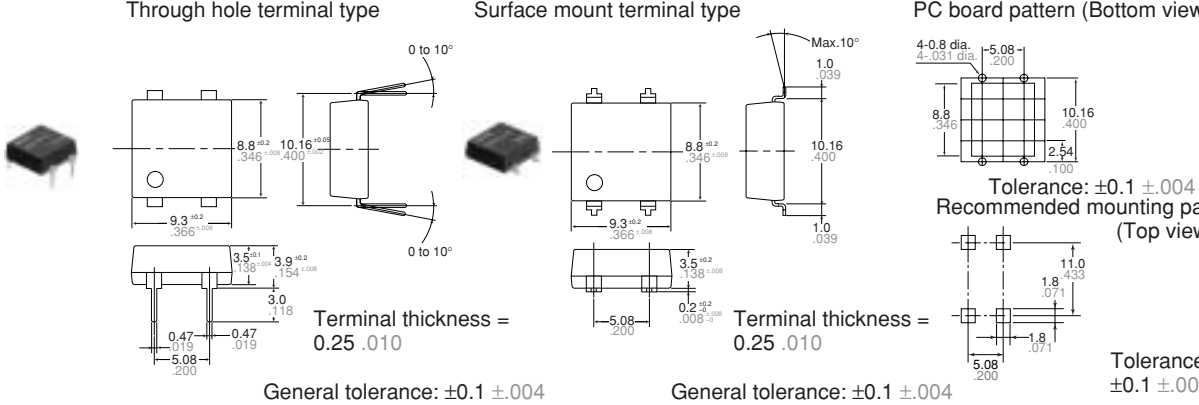
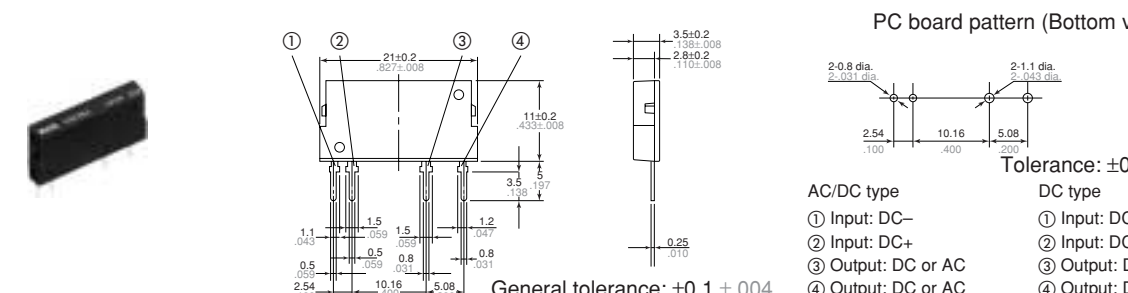
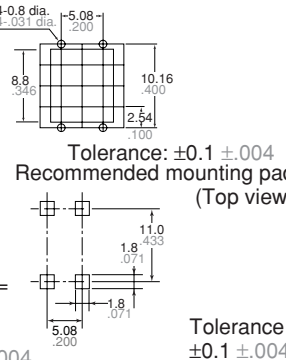


# PhotoMOS Relay Dimensions

mm inch

| Type   | Dimensions                                |   |  |
|--|---|---|--|
| <b>AQY21</b><br><b>AQY41</b><br>Series   | <p>Through hole terminal type</p>         | <p>Surface mount terminal type</p>        | <p>PC board pattern (Bottom view)</p>      |
|  | <p>Terminal thickness =<br/>0.2 .008</p>  | <p>Terminal thickness =<br/>0.2 .008</p>  | <p>Mounting pad (Top view)</p>             |
|  | <p>General tolerance: ±0.1 ±.004</p>      | <p>General tolerance: ±0.1 ±.004</p>      | <p>Tolerance: ±0.1 ±.004</p>               |
| <b>AQV10</b><br><b>AQV20</b><br><b>AQV21</b><br><b>AQV22</b><br><b>AQV23</b><br><b>AQV25</b><br><b>AQV41</b><br><b>AQV45</b><br>Series | <p>Through hole terminal type</p>         | <p>Surface mount terminal type</p>        | <p>PC board pattern (Bottom view)</p>      |
|  | <p>Terminal thickness =<br/>0.25 .010</p> | <p>Terminal thickness =<br/>0.25 .010</p> | <p>Recommended mounting pad (Top view)</p> |
|  | <p>General tolerance: ±0.1 ±.004</p>      | <p>General tolerance: ±0.1 ±.004</p>      | <p>Tolerance: ±0.1 ±.004</p>               |
| <b>APV1122</b><br>Series   | <p>Through hole terminal type</p>         | <p>Surface mount terminal type</p>        | <p>PC board pattern (Bottom view)</p>      |
|  | <p>Terminal thickness =<br/>0.25 .010</p> | <p>Terminal thickness =<br/>0.25 .010</p> | <p>Recommended mounting pad (Top view)</p> |
|  | <p>General tolerance: ±0.1 ±.004</p>      | <p>General tolerance: ±0.1 ±.004</p>      | <p>Tolerance: ±0.1 ±.004</p>               |
| <b>AQW21</b><br><b>AQW22</b><br><b>AQW25</b><br><b>AQW41</b><br><b>AQW45</b><br><b>AQW61</b><br><b>AQW65</b><br>Series                 | <p>Through hole terminal type</p>         | <p>Surface mount terminal type</p>        | <p>PC board pattern (Bottom view)</p>      |
|  | <p>Terminal thickness =<br/>0.25 .010</p> | <p>Terminal thickness =<br/>0.25 .010</p> | <p>Recommended mounting pad (Top view)</p> |
|  | <p>General tolerance: ±0.1 ±.004</p>      | <p>General tolerance: ±0.1 ±.004</p>      | <p>Tolerance: ±0.1 ±.004</p>               |

| Type  | Dimensions  |  |  |
|---|---|--|--|
| <p>AQW21<math>\overline{\text{OEH}}</math><br/>AQW21<math>\overline{\text{OHL}}</math><br/>AQW41<math>\overline{\text{OEH}}</math><br/>AQW61<math>\overline{\text{OEH}}</math><br/>Series</p> | <p>Through hole terminal type</p> <p>Terminal thickness = 0.2 .008<br/>General tolerance: <math>\pm 0.1 \pm .004</math></p>   | <p>Surface mount terminal type</p> <p>Terminal thickness = 0.2 .008<br/>General tolerance: <math>\pm 0.1 \pm .004</math></p> | <p>PC board pattern (Bottom view)</p> <p>Tolerance: <math>\pm 0.1 \pm .004</math></p> <p>Mounting pad (Top view)</p> <p>Tolerance: <math>\pm 0.1 \pm .004</math></p> |
| <p>APV21<br/>(SSOP)<br/>AQY22<br/>(SSOP)<br/>Series</p>   | <p>Recommended mounting pad (TOP VIEW)</p> <p>Terminal thickness = 0.15 .006<br/>General tolerance: <math>\pm 0.5 \pm .020</math></p> <p>Tolerance: <math>\pm 0.1 \pm .004</math></p> |  |  |
| <p>APV21(SOP)<br/>APV11(SOP)<br/>AQY21(SOP)<br/>AQY22(SOP)<br/>AQY41(SOP)<br/>Series</p>  | <p>Recommended mounting pad (Top view)</p> <p>Terminal thickness = 0.15 .006<br/>General tolerance: <math>\pm 0.1 \pm .004</math></p> <p>Tolerance: <math>\pm 0.1 \pm .004</math></p> |  |  |
| <p>AQV21(SOP)<br/>AQV22(SOP)<br/>AQV41(SOP)<br/>Series</p>  | <p>Recommended mounting pad (Top view)</p> <p>Terminal thickness = 0.15 .006<br/>General tolerance: <math>\pm 0.1 \pm .004</math></p> <p>Tolerance: <math>\pm 0.1 \pm .004</math></p> |  |  |
| <p>AQW21(SOP)<br/>AQW61(SOP)<br/>Series</p>   | <p>Recommended mounting pad (Top view)</p> <p>Terminal thickness = 0.15 .006<br/>General tolerance: <math>\pm 0.1 \pm .004</math></p> <p>Tolerance: <math>\pm 0.1 \pm .004</math></p> |  |  |

| Type                                    | Dimensions  |
|---|---|
| <p>AQS22(SOP) Series</p>                | <p style="text-align: right;">Recommended mounting pad (Top view)</p>  <p>Terminal thickness = 0.15 .006<br/>General tolerance: <math>\pm 0.1 \pm 0.004</math>      Tolerance: <math>\pm 0.1 \pm 0.004</math></p>   |
| <p>AQY27 Series</p>                     | <p>Through hole terminal type      Surface mount terminal type      PC board pattern (Bottom view)</p>  <p>Terminal thickness = 0.25 .010      Terminal thickness = 0.25 .010</p> <p>General tolerance: <math>\pm 0.1 \pm 0.004</math>      General tolerance: <math>\pm 0.1 \pm 0.004</math>      Tolerance: <math>\pm 0.1 \pm 0.004</math></p> <p style="text-align: right;">Recommended mounting pad (Top view)<br/>Tolerance: <math>\pm 0.1 \pm 0.004</math></p> |
| <p>AQZ10<br/>AQZ20<br/>AQZ40 Series</p> |  <p>General tolerance: <math>\pm 0.1 \pm 0.004</math></p> <p>PC board pattern (Bottom view)<br/>Tolerance: <math>\pm 0.1 \pm 0.004</math></p> <p>AC/DC type      DC type</p> <ul style="list-style-type: none"> <li>① Input: DC-</li> <li>② Input: DC+</li> <li>③ Output: DC or AC</li> <li>④ Output: DC or AC</li> </ul>   |
| <p>AQZ26 Series</p>                     |  <p>General tolerance <math>\pm 0.5 \pm 0.020</math>      Pitch tolerance: <math>\pm 0.1 \pm 0.004</math></p> <p>Mounting hole location (Bottom view)</p> <ul style="list-style-type: none"> <li>① Input: DC -</li> <li>② Input: DC +</li> <li>③ Output: AC or DC</li> <li>④ Output: AC or DC</li> </ul>  |