



DUAL BAND Mobile Cellular Phone SGH-N625

SERVICE Manual

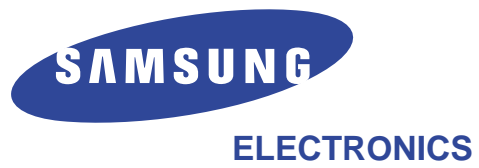
Datasheet Company

DUAL BAND Mobile Cellular Phone

CONTENTS



1. Exploded Views and Parts List
2. PCB Diagrams
3. Electrical Parts List
4. Block Diagrams
5. Flow chart of trouble shooting



1. Exploded Views and Parts List

- 1-1 **Main**
- 1-2 **Main Parts List**
- 1-3 **Travel Adapter**
- 1-4 **Travel Adapter Parts List**
- 1-5 **Test Jig**
 - 1-5-1 **Test Jig**
- 1-6 **normal EAR Microphone**
- 1-7 **Data Kit**

2. PCB Diagrams

- 2-1 **Main Top**
- 2-2 **Main Bottom**

3. Electrical Parts List

- 3-1 **Main Parts List Top**
- 3-2 **Main Parts List Bottom**

4. Block Diagrams

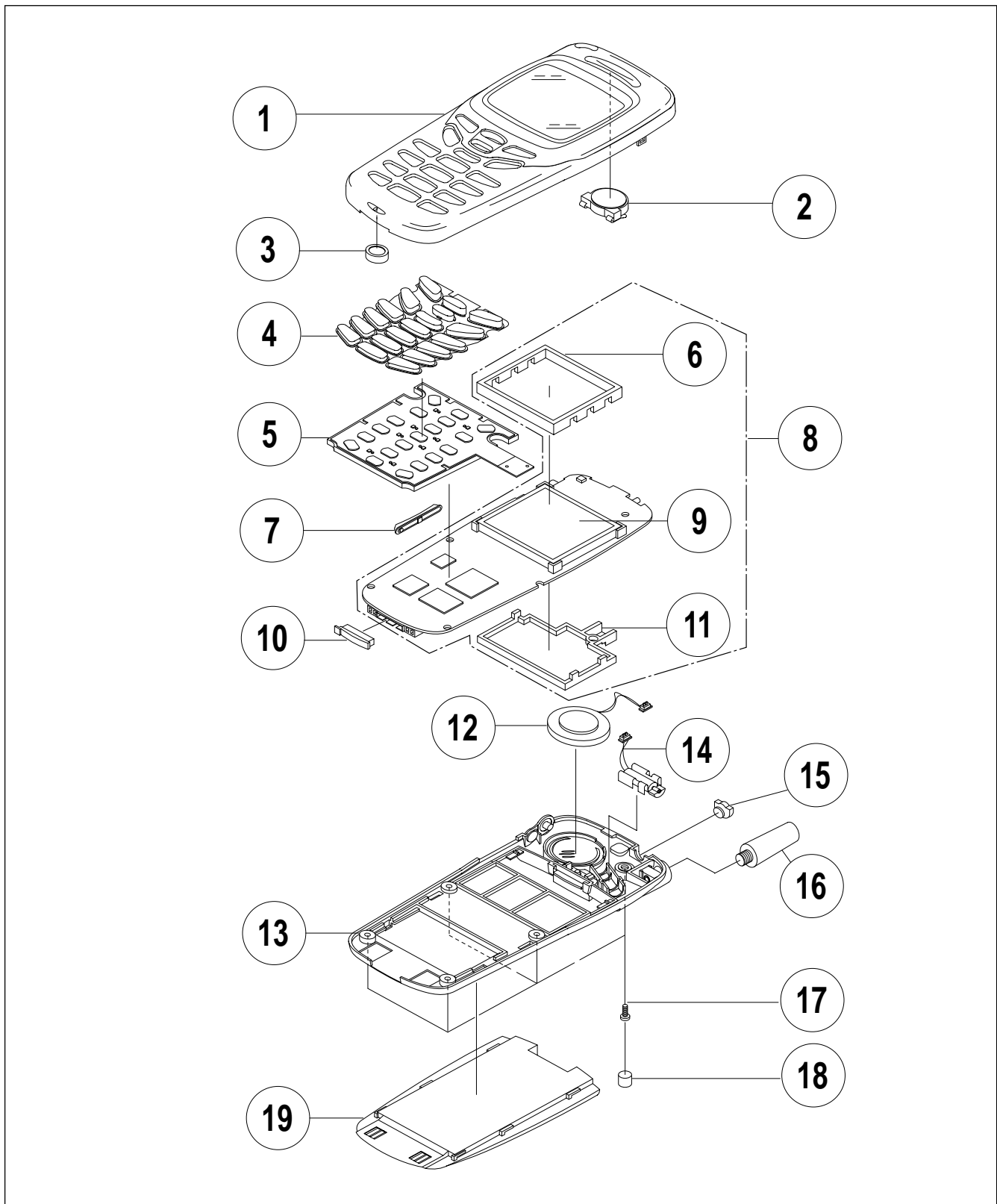
- 4-1 **Main Base Band**
- 4-2 **Main RF**
 - 4-2-1 **RF Tx Part**
 - 4-2-2 **RF Rx Part**

5. Flow chart of trouble shooting

- 5-1 **Power ON**
 - 5-2 **Initial**
 - 5-3 **Charging Part**
 - 5-4 **Sim Part**
 - 5-5 **Microphone Part**
 - 5-6 **Speaker Part**
 - 5-7 **Key Data Input**
 - 5-8 **Ring Indicator**
 - 5-9 **Back Light**
 - 5-10 **Melody Part**
 - 5-11 **GSM Receiver**
 - 5-12 **GSM Transmit**
 - 5-13 **DCS Receiver**
 - 5-14 **DCS Transmit**
-

1. Exploded Views and Parts List

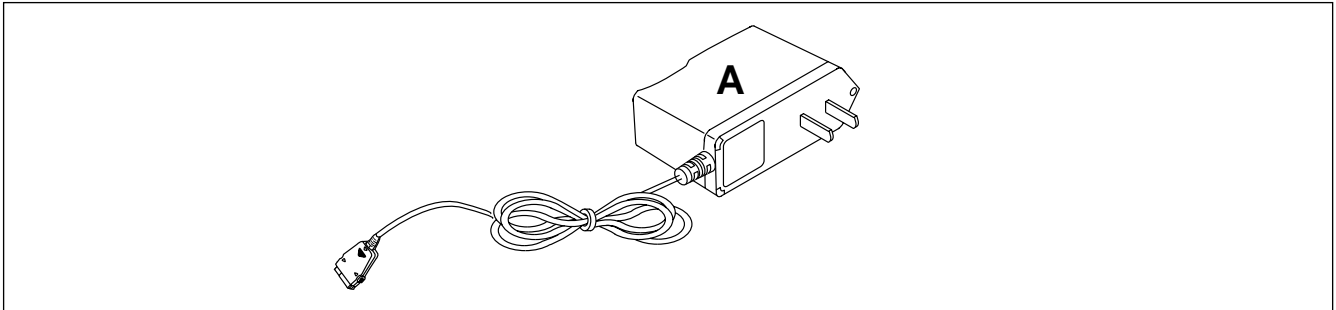
1-1 Main (SGH-N625)



1-2 Main Parts List

NO	SEC CODE	DESCRIPTION	Q'TY	REMARK
1	GH75-02239A	FRONT COVER	1	
2	3001-001199	SPEAKER	1	
3	GH59-00240B	MIC	1	
4	GH72-03376D	KEYPAD	1	
5	GH59-00282A	KEY PCB	1	
6	GH73-00923A	LCD COVER	1	
7	GH75-01490A	KEY-VOLUME	1	
8	GH82-00114A	MAIN PBA	1	
9	GH07-01336A	LCD	1	
10	GH73-00893A	CONNECTOR COVER	1	
11	GH73-03213B	SILELD COVER	1	
12	3001-001267	SPEAKER	1	
13	GH75-01471B	REAR COVER	1	
14	GH31-00033A	MOTOR	1	
15	GH73-00892A	MOBILE CAP	1	
16	GH42-00212A	ANTENNA	1	
17	6001-001634	SCREW	5	
18	GH73-00891A	SCREW CAP	1	
19	GH43-00435B	BATTERY	1	

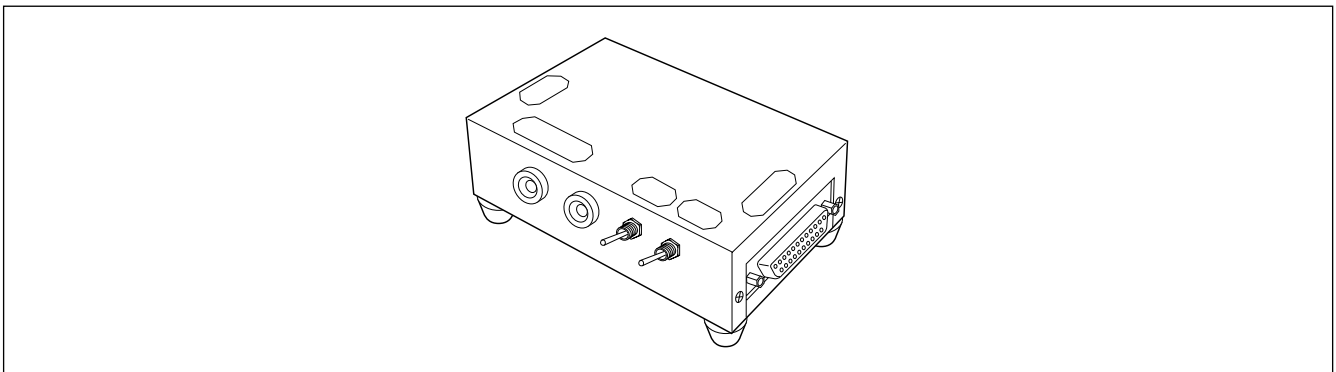
1-3 Travel Adapter



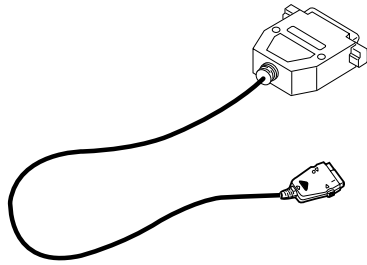
1-4 Travel Adapter Parts List

TYPE	SEC CODE	REMARK
A	GH44-00171A	

1-5 Test Jig

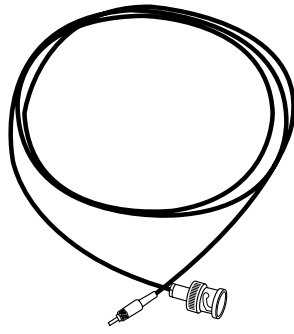


TEST JIG	GH80-10508A
----------	-------------



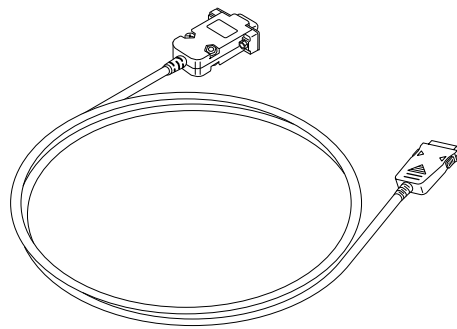
TEST JIG CABLE

GH39-00079A



RF JIG CABLE

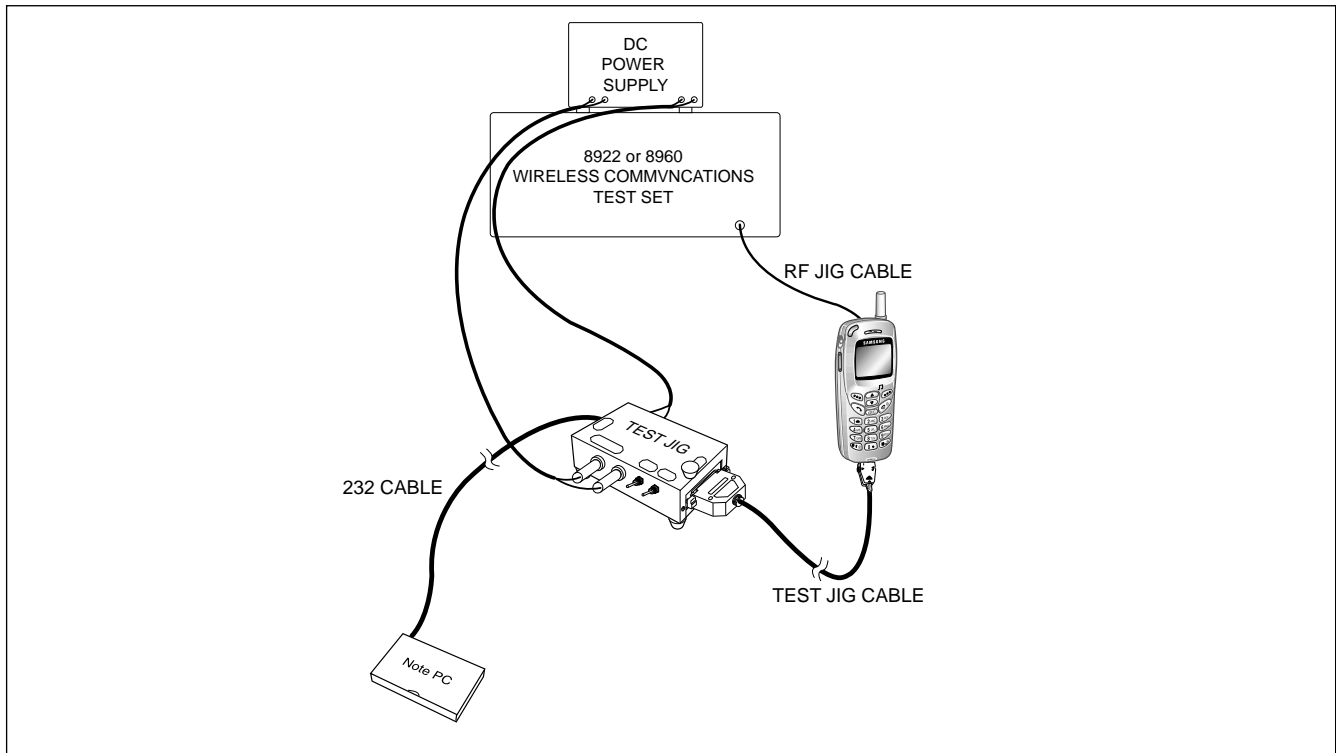
GH39-00094A



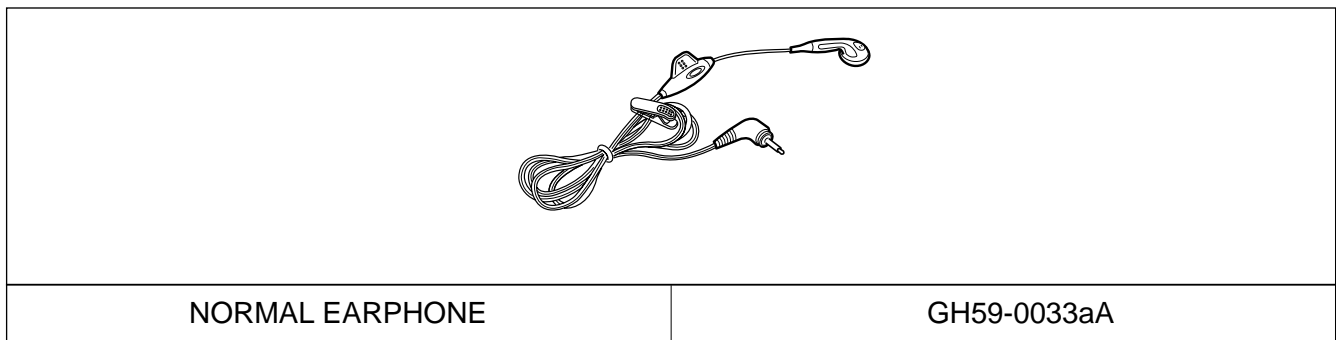
DM CABLE

GH39-00143B

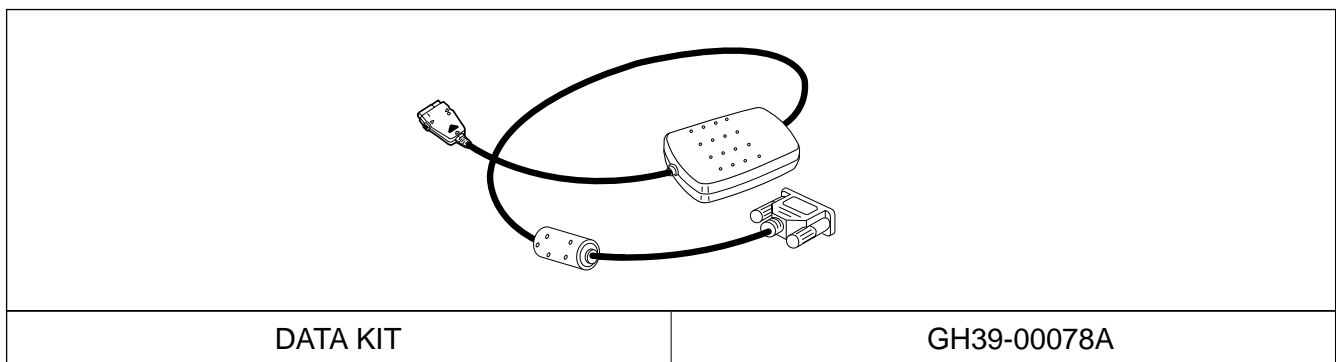
1-5-1 Test Jig



1-6 Normal EAR Microphone

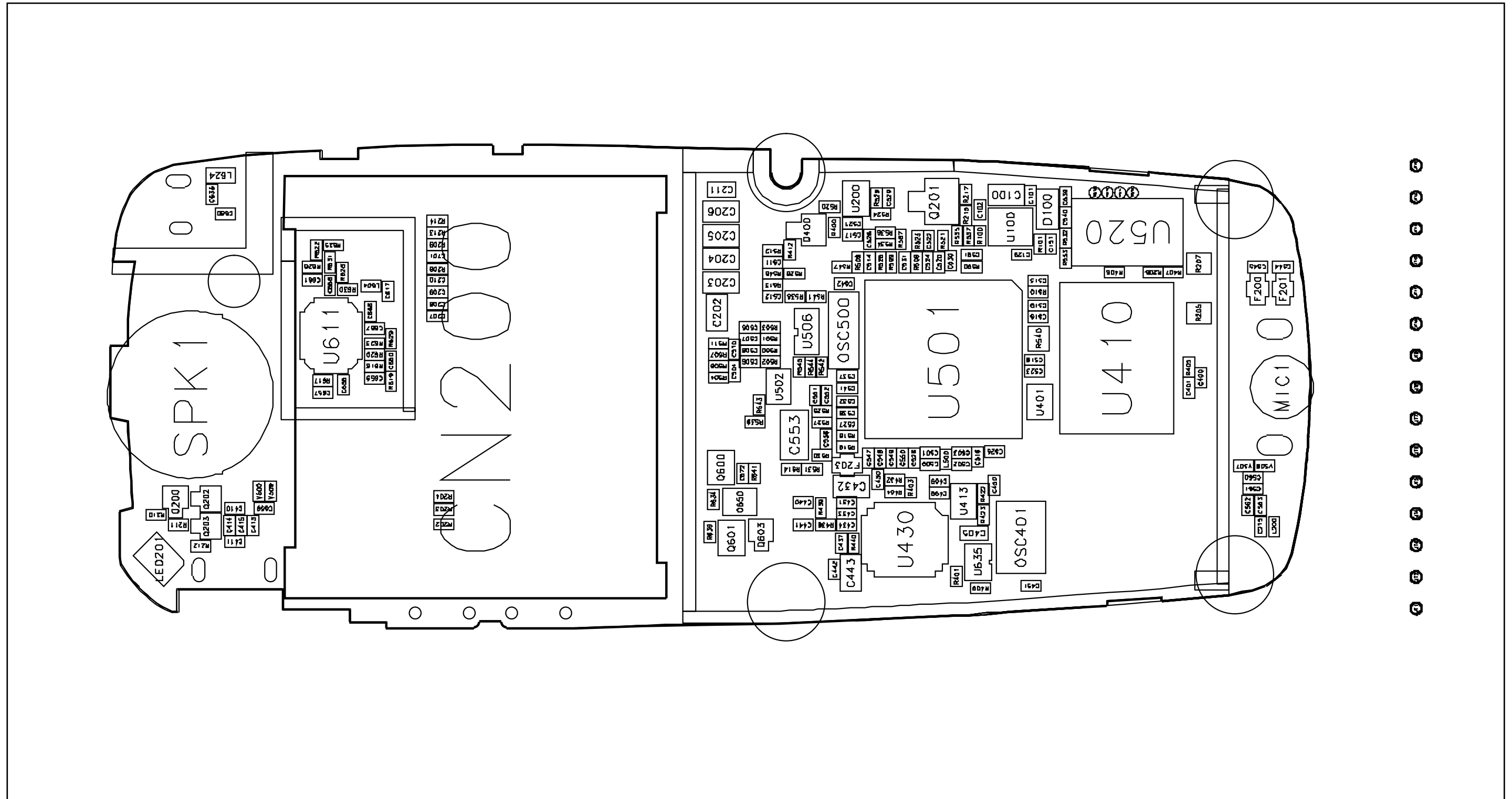


1-7 Data Kit

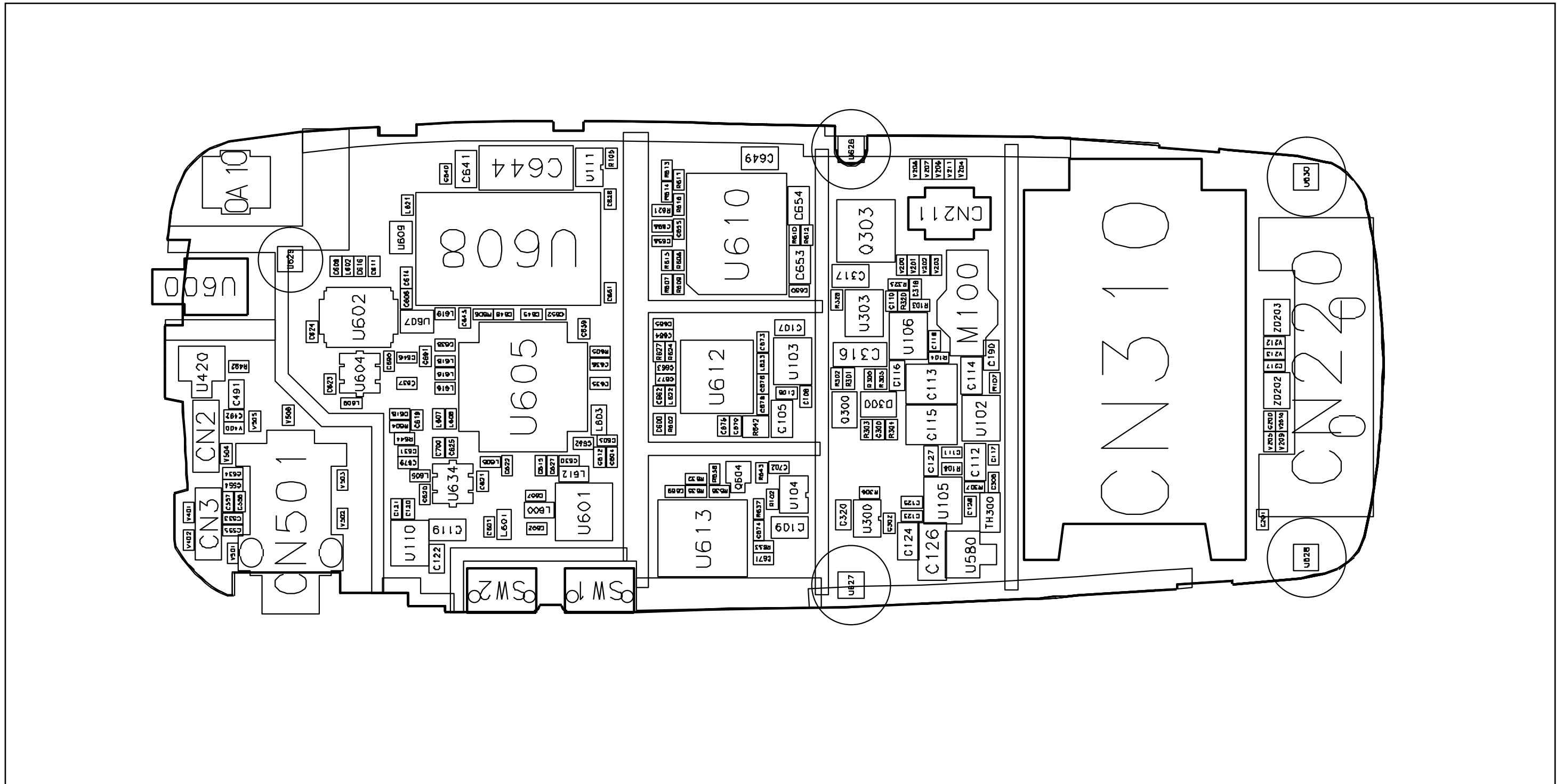


2. PCB Diagrams

2-1 Main Top



2-2 Main Bottom



3. Electrical Parts List

3-1 Main Parts List Top

NO	Reference	SEC Code	Part Description	Vendor Part No
1	C100	2404-001105	"C-TA,CHIP;10UF/6.3V"	TCSCS0J106MPAR
2	C101	2203-000254	"C-CERAMIC,CHIP;C103K,10NF,16V"	GRP155R71C103KA01E
3	C102	2203-000233	"C-CERAMIC,CHIP;C101J,100PF,50V"	GRP1555C1H101JD01E
4	C129	2203-000254	"C-CERAMIC,CHIP;C103K,10NF,16V"	GRP155R71C103KA01E
5	C151	2203-005482	"C-CERAMIC,CHIP;C104K,100NF,10V"	GRP155R61A104KA01E
6	C202	2404-001101	"C-TA,CHIP;1UF/16V"	TAJR105M016R
7	C203	2404-001101	"C-TA,CHIP;1UF/16V"	TAJR105M016R
8	C204	2404-001101	"C-TA,CHIP;1UF/16V"	TAJR105M016R
9	C205	2404-001101	"C-TA,CHIP;1UF/16V"	TAJR105M016R
10	C206	2404-001101	"C-TA,CHIP;1UF/16V"	TAJR105M016R
11	C207	2203-005061	"C-CERAMIC,CHIP;C104Z,100NF,16V"	CL05F104ZONC
12	C208	2203-005061	"C-CERAMIC,CHIP;C104Z,100NF,16V"	CL05F104ZONC
13	C209	2203-005061	"C-CERAMIC,CHIP;C104Z,100NF,16V"	CL05F104ZONC
14	C210	2203-005061	"C-CERAMIC,CHIP;C104Z,100NF,16V"	CL05F104ZONC
15	C211	2203-000604	"C-CERAMIC,CHIP;C223K,22NF,25V"	CL10B223KANC
16	C215	2203-000679	"C-CERAMIC,CHIP;C270J,27PF,50V"	GRP1555C1H270JZ01E
17	C400	2203-005061	"C-CERAMIC,CHIP;C104Z,100NF,16V"	CL05F104ZONC
18	C401	2203-005061	"C-CERAMIC,CHIP;C104Z,100NF,16V"	CL05F104ZONC
19	C409	2203-002443	"C-CERAMIC,CHIP;C331K,330PF,50V"	CL05B331KBNC
20	C410	2203-000679	"C-CERAMIC,CHIP;C270J,27PF,50V"	GRP1555C1H270JZ01E
21	C411	2203-000679	"C-CERAMIC,CHIP;C270J,27PF,50V"	GRP1555C1H270JZ01E
22	C413	2203-003054	"C-CERAMIC,CHIP;C090C,9PF,50V"	GRP1555C1H9R0DZ01E
23	C414	2203-000386	"C-CERAMIC,CHIP;C150J,15PF,50V"	GRP1555C1H150JZ01E
24	C430	2203-000438	"C-CERAMIC,CHIP;C102K,1NF,50V"	GRP155R71H102KA01E
25	C431	2203-005061	"C-CERAMIC,CHIP;C104Z,100NF,16V"	CL05F104ZONC
26	C432	2404-001086	"C-TA,CHIP;4.7UF/6.3V"	TESVSPOJ475M8RTJ
27	C433	2203-005061	"C-CERAMIC,CHIP;C104Z,100NF,16V"	CL05F104ZONC
28	C434	2203-005483	"C-CERAMIC,CHIP;C683K,68NF,10V"	GRP155R61A683KA01E
29	C437	2203-000233	"C-CERAMIC,CHIP;C101J,100PF,50V"	GRP1555C1H101JD01E
30	C440	2203-005482	"C-CERAMIC,CHIP;C104K,100NF,10V"	GRP155R61A104KA01E
31	C442	2203-005061	"C-CERAMIC,CHIP;C104Z,100NF,16V"	CL05F104ZONC
32	C443	2404-001086	"C-TA,CHIP;4.7UF/6.3V"	TESVSPOJ475M8RTJ
33	C450	2203-000854	"C-CERAMIC,CHIP;C390J,39PF,50V"	GRP1555C1H390JZ01E
34	C451	2203-000679	"C-CERAMIC,CHIP;C270J,27PF,50V"	GRP1555C1H270JZ01E
35	C499	2203-000714	"C-CERAMIC,CHIP;C332K,3.3NF,50V"	CL05B332KBNC
36	C502	2203-000679	"C-CERAMIC,CHIP;C270J,27PF,50V"	GRP1555C1H270JZ01E
37	C503	2203-003054	"C-CERAMIC,CHIP;C090C,9PF,50V"	GRP1555C1H9R0DZ01E
38	C504	2203-005503	"C-CERAMIC,CHIP;C1801J,180PF,25V"	CL05C181JANC

NO	Reference	SEC Code	Part Description	Vendor Part No
39	C505	2203-000233	"C-CERAMIC,CHIP;C101J,100PF,50V"	GRP1555C1H101JD01E
40	C506	2203-000233	"C-CERAMIC,CHIP;C101J,100PF,50V"	GRP1555C1H101JD01E
41	C507	2203-000233	"C-CERAMIC,CHIP;C101J,100PF,50V"	GRP1555C1H101JD01E
42	C508	2203-000233	"C-CERAMIC,CHIP;C101J,100PF,50V"	GRP1555C1H101JD01E
43	C510	2203-005503	"C-CERAMIC,CHIP;C1801J,180PF,25V"	CL05C181JANC
44	C511	2203-000812	"C-CERAMIC,CHIP;C330J,33PF,50V"	GRP1555C1H330JZ01E
45	C512	2203-000812	"C-CERAMIC,CHIP;C330J,33PF,50V"	GRP1555C1H330JZ01E
46	C513	2203-000812	"C-CERAMIC,CHIP;C330J,33PF,50V"	GRP1555C1H330JZ01E
47	C514	2203-000812	"C-CERAMIC,CHIP;C330J,33PF,50V"	GRP1555C1H330JZ01E
48	C515	2203-000254	"C-CERAMIC,CHIP;C103K,10NF,16V"	GRP155R71C103KA01E
49	C516	2203-000812	"C-CERAMIC,CHIP;C330J,33PF,50V"	GRP1555C1H330JZ01E
50	C517	2203-000812	"C-CERAMIC,CHIP;C330J,33PF,50V"	GRP1555C1H330JZ01E
51	C518	2203-000254	"C-CERAMIC,CHIP;C103K,10NF,16V"	GRP155R71C103KA01E
52	C519	2203-000254	"C-CERAMIC,CHIP;C103K,10NF,16V"	GRP155R71C103KA01E
53	C520	2203-000254	"C-CERAMIC,CHIP;C103K,10NF,16V"	GRP155R71C103KA01E
54	C521	2203-000254	"C-CERAMIC,CHIP;C103K,10NF,16V"	GRP155R71C103KA01E
55	C522	2203-000812	"C-CERAMIC,CHIP;C330J,33PF,50V"	GRP1555C1H330JZ01E
56	C523	2203-000812	"C-CERAMIC,CHIP;C330J,33PF,50V"	GRP1555C1H330JZ01E
57	C524	2203-000812	"C-CERAMIC,CHIP;C330J,33PF,50V"	GRP1555C1H330JZ01E
58	C525	2203-000812	"C-CERAMIC,CHIP;C330J,33PF,50V"	GRP1555C1H330JZ01E
59	C526	2203-005061	"C-CERAMIC,CHIP;C104Z,100NF,16V"	CL05F104ZONC
60	C527	2203-000254	"C-CERAMIC,CHIP;C103K,10NF,16V"	GRP155R71C103KA01E
61	C528	2203-000679	"C-CERAMIC,CHIP;C270J,27PF,50V"	GRP1555C1H270JZ01E
62	C529	2203-000679	"C-CERAMIC,CHIP;C270J,27PF,50V"	GRP1555C1H270JZ01E
63	C530	2203-000679	"C-CERAMIC,CHIP;C270J,27PF,50V"	GRP1555C1H270JZ01E
64	C531	2203-000679	"C-CERAMIC,CHIP;C270J,27PF,50V"	GRP1555C1H270JZ01E
65	C532	2203-005480	"C-CERAMIC,CHIP;C333K,33NF,10V"	GRP155R71A333KA01E
66	C537	2203-003054	"C-CERAMIC,CHIP;C090C,9PF,50V"	GRP1555C1H9R0DZ01E
67	C538	2203-005480	"C-CERAMIC,CHIP;C333K,33NF,10V"	GRP155R71A333KA01E
68	C539	2203-000812	"C-CERAMIC,CHIP;C330J,33PF,50V"	GRP1555C1H330JZ01E
69	C540	2203-000812	"C-CERAMIC,CHIP;C330J,33PF,50V"	GRP1555C1H330JZ01E
70	C541	2203-005481	"C-CERAMIC,CHIP;C473K,47NF,10V"	GRP155R71A473KA01E
71	C542	2203-003054	"C-CERAMIC,CHIP;C090C,9PF,50V"	GRP1555C1H9R0DZ01E
72	C544	2203-000679	"C-CERAMIC,CHIP;C270J,27PF,50V"	GRP1555C1H270JZ01E
73	C545	2203-000679	"C-CERAMIC,CHIP;C270J,27PF,50V"	GRP1555C1H270JZ01E
74	C547	2203-000254	"C-CERAMIC,CHIP;C103K,10NF,16V"	GRP155R71C103KA01E
75	C548	2203-003054	"C-CERAMIC,CHIP;C090C,9PF,50V"	GRP1555C1H9R0DZ01E
76	C549	2203-000254	"C-CERAMIC,CHIP;C103K,10NF,16V"	GRP155R71C103KA01E
77	C550	2203-000254	"C-CERAMIC,CHIP;C103K,10NF,16V"	GRP155R71C103KA01E
78	C551	2203-000254	"C-CERAMIC,CHIP;C103K,10NF,16V"	GRP155R71C103KA01E
79	C552	2203-000812	"C-CERAMIC,CHIP;C330J,33PF,50V"	GRP1555C1H330JZ01E
80	C553	2404-001162	"C-TA,CHIP;F950G476MAAJZTQ2"	F950G476MAAJZTQ2

NO	Reference	SEC Code	Part Description	Vendor Part No
81	C560	2203-003054	"C-CERAMIC,CHIP;C090C,9PF,50V"	GRP1555C1H9R0DZ01E
82	C561	2203-000386	"C-CERAMIC,CHIP;C150J,15PF,50V"	GRP1555C1H150JZ01E
83	C591	2203-000254	"C-CERAMIC,CHIP;C103K,10NF,16V"	GRP155R71C103KA01E
84	C617	2203-000679	"C-CERAMIC,CHIP;C270J,27PF,50V"	GRP1555C1H270JZ01E
85	C633	2203-005446	"C-CERAMIC,CHIP;C2R7B,2.7PF,50V"	GRP1555C1H2R7BZ01E
86	C657	2203-001221	"C-CERAMIC,CHIP;C821K,820PF,50V"	CL05B821KBNC
87	C659	2203-000233	"C-CERAMIC,CHIP;C101J,100PF,50V"	GRP1555C1H101JD01E
88	C660	2203-000233	"C-CERAMIC,CHIP;C101J,100PF,50V"	GRP1555C1H101JD01E
89	C661	2203-000995	"C-CERAMIC,CHIP;C470J,47PF,50V"	GRP1555C1H470JZ01E
90	C666	2203-000438	"C-CERAMIC,CHIP;C102K,1NF,50V"	GRP155R71H102KA01E
91	C667	2203-000679	"C-CERAMIC,CHIP;C270J,27PF,50V"	GRP1555C1H270JZ01E
92	C668	2203-000995	"C-CERAMIC,CHIP;C470J,47PF,50V"	GRP1555C1H470JZ01E
93	C672	2203-000438	"C-CERAMIC,CHIP;C102K,1NF,50V"	GRP155R71H102KA01E
94	C680	2203-005234	"C-CERAMIC,CHIP;C1R2C,1.2PF,50V"	CL05C1R2CBNC
95	C701	2203-001101	"C-CERAMIC,CHIP;C682K,6.8NF,25V"	GRP155R71E682KA01E
96	D100	0401-001033	"DIODE-SWITCHING;MCL4154,25V,200mA"	MCL4154
97	F200	2901-001116	"FILTER-EMI SMD;50V,0.3A,-,470PF,2"	NFM21CC471R1H3D
98	F201	2901-001116	"FILTER-EMI SMD;50V,0.3A,-,470PF,2"	NFM21CC471R1H3D
99	F203	2901-001116	"FILTER-EMI SMD;50V,0.3A,-,470PF,2"	NFM21CC471R1H3D
100	L200	2703-001752	INDUCTOR-SMD;LL1005-FH39NJ	LL1005-FH39NJ
101	L500	2703-001752	INDUCTOR-SMD;LL1005-FH39NJ	LL1005-FH39NJ
102	L604	2703-002201	INDUCTOR-SMD;CIH05T33NJNC	CIH05T33NJNC
103	L624	2703-001206	INDUCTOR-SMD;LL1608-FH4N7S	LL1608-FH4N7S
104	LED201	0601-001543	LED;HL500-F01-SS	HL500-F01-SS
105	OSC401	2801-004112	"CRYSTAL-SMD;19.68MHZ,10PPM,28-ACF"	TSX-8A
106	OSC500	2801-004025	"CRYSTAL-UNIT;0.032768MHz,20ppm,28"	FC-255
107	Q200	0504-001012	TR-SMALL SIGNAL;DTC114YE	DTC114YE
108	Q201	0501-002011	TR-SMALL SIGNAL;2SD2114KT146V	2SD2114KT146V
109	Q202	0504-001012	TR-SMALL SIGNAL;DTC114YE	DTC114YE
110	Q203	0504-001012	TR-SMALL SIGNAL;DTC114YE	DTC114YE
111	Q400	0501-000162	TR-SMALL SIGNAL;2SA1576FRT106	2SA1576A-R-T106
112	Q600	0504-001058	TR-SMALL SIGNAL;RN4985-TE85L	RN4985-TE85L
113	Q601	0504-001058	TR-SMALL SIGNAL;RN4985-TE85L	RN4985-TE85L
114	Q603	0504-001012	TR-SMALL SIGNAL;DTC114YE	DTC114YE
115	Q650	0504-001042	TR-SMALL SIGNAL;BCR10PN	BCR10PN
116	R100	2007-000157	"R-CHIP;47K,5%"	RC1005J473CS
117	R101	2007-000140	"R-CHIP;1K,5%"	RC1005J102CS
118	R202	2007-000162	"R-CHIP;100K,5%"	RC1005J104CS
119	R203	2007-000172	"R-CHIP;10,5%"	RC1005J100CS
120	R204	2007-000172	"R-CHIP;10,5%"	RC1005J100CS
121	R205	2011-001344	"R-NETWORK;100ohm,5%,1/16W,L,CHIP,"	EXB28V101JX
122	R206	2007-000138	"R-CHIP;100,5%"	RC1005J101CS

NO	Reference	SEC Code	Part Description	Vendor Part No
123	R207	2011-001344	"R-NETWORK;100ohm,5%,1/16W,L,CHIP,"	EXB28V101JX
124	R208	2007-000170	"R-CHIP;1M,5%"	RC1005J105CS
125	R209	2007-000566	"R-CHIP;220K,5%"	RC1005J224CS
126	R210	2007-000138	"R-CHIP;100,5%"	RC1005J101CS
127	R211	2007-001301	"R-CHIP;68,5%"	RC1005J680CS
128	R212	2007-000139	"R-CHIP;220,5%"	RC1005J221CS
129	R213	2007-000172	"R-CHIP;10,5%"	RC1005J100CS
130	R214	2007-000172	"R-CHIP;10,5%"	RC1005J100CS
131	R215	2007-000140	"R-CHIP;1K,5%"	RC1005J102CS
132	R217	2007-000162	"R-CHIP;100K,5%"	RC1005J104CS
133	R400	2007-000148	"R-CHIP;10K,5%"	RC1005J103CS
134	R401	2007-000162	"R-CHIP;100K,5%"	RC1005J104CS
135	R403	2007-000162	"R-CHIP;100K,5%"	RC1005J104CS
136	R404	2007-000162	"R-CHIP;100K,5%"	RC1005J104CS
137	R405	2007-000162	"R-CHIP;100K,5%"	RC1005J104CS
138	R406	2007-000162	"R-CHIP;100K,5%"	RC1005J104CS
139	R407	2007-000162	"R-CHIP;100K,5%"	RC1005J104CS
140	R409	2007-000162	"R-CHIP;100K,5%"	RC1005J104CS
141	R412	2007-000162	"R-CHIP;100K,5%"	RC1005J104CS
142	R422	2007-000170	"R-CHIP;1M,5%"	RC1005J105CS
143	R423	2007-001119	"R-CHIP;680,5%"	RC1005J681CS
144	R432	2007-001325	"R-CHIP;3.3K,5%"	RC1005J332CS
145	R438	2007-000775	"R-CHIP;33K,5%"	RC1005J333CS
146	R439	2007-007090	"R-CHIP;11K,5%"	ERJ2GEJ113X
147	R440	2007-001244	"R-CHIP;91K,5%"	RC1005J913CS
148	R500	2007-007317	"R-CHIP;2.2K,1%"	MCR01MZSF2201
149	R501	2007-007317	"R-CHIP;2.2K,1%"	MCR01MZSF2201
150	R502	2007-007317	"R-CHIP;2.2K,1%"	MCR01MZSF2201
151	R503	2007-007317	"R-CHIP;2.2K,1%"	MCR01MZSF2201
152	R504	2007-007318	"R-CHIP;1K,1%"	RK73H1ETP1001F
153	R506	2007-007318	"R-CHIP;1K,1%"	RK73H1ETP1001F
154	R507	2007-007318	"R-CHIP;1K,1%"	RK73H1ETP1001F
155	R508	2007-000162	"R-CHIP;100K,5%"	RC1005J104CS
156	R509	2007-000162	"R-CHIP;100K,5%"	RC1005J104CS
157	R510	2007-000162	"R-CHIP;100K,5%"	RC1005J104CS
158	R511	2007-007318	"R-CHIP;1K,1%"	RK73H1ETP1001F
159	R512	2007-000157	"R-CHIP;47K,5%"	RC1005J473CS
160	R513	2007-000162	"R-CHIP;100K,5%"	RC1005J104CS
161	R514	2007-000148	"R-CHIP;10K,5%"	RC1005J103CS
162	R518	2007-000148	"R-CHIP;10K,5%"	RC1005J103CS
163	R519	2007-000148	"R-CHIP;10K,5%"	RC1005J103CS
164	R520	2007-000162	"R-CHIP;100K,5%"	RC1005J104CS

NO	Reference	SEC Code	Part Description	Vendor Part No
165	R521	2007-000152	"R-CHIP;20K,5%"	RC1005J203CS
166	R523	2007-000162	"R-CHIP;100K,5%"	RC1005J104CS
167	R524	2007-000157	"R-CHIP;47K,5%"	RC1005J473CS
168	R525	2007-000139	"R-CHIP;220,5%"	RC1005J221CS
169	R526	2007-000168	"R-CHIP;470K,5%"	RC1005J474CS
170	R527	2007-002796	"R-CHIP;510,5%"	MCR01MZSJ511
171	R528	2007-000162	"R-CHIP;100K,5%"	RC1005J104CS
172	R529	2007-000157	"R-CHIP;47K,5%"	RC1005J473CS
173	R530	2007-002796	"R-CHIP;510,5%"	MCR01MZSJ511
174	R531	2007-000139	"R-CHIP;220,5%"	RC1005J221CS
175	R532	2007-000141	"R-CHIP;2.2K,5%"	RC1005J222CS
176	R533	2007-000141	"R-CHIP;2.2K,5%"	RC1005J222CS
177	R535	2007-000148	"R-CHIP;10K,5%"	RC1005J103CS
178	R536	2007-000148	"R-CHIP;10K,5%"	RC1005J103CS
179	R538	2007-007981	"R-CHIP;180K,1%"	ERJ2RKF1803X
180	R540	2011-001345	"R-NETWORK;10Kohm,5%,1/16W,L,CHIP,"	EXB28V103JX
181	R541	2007-007488	"R-CHIP;75K,1%"	MCR01MZSF7502
182	R542	2007-000170	"R-CHIP;1M,5%"	RC1005J105CS
183	R543	2007-007771	"R-CHIP;0,5%"	RC1005J000CS
184	R544	2007-000170	"R-CHIP;1M,5%"	RC1005J105CS
185	R545	2007-000169	"R-CHIP;510K,5%"	RC1005J514CS
186	R547	2007-000162	"R-CHIP;100K,5%"	RC1005J104CS
187	R587	2007-000162	"R-CHIP;100K,5%"	RC1005J104CS
188	R590	2007-000148	"R-CHIP;10K,5%"	RC1005J103CS
189	R599	2007-000162	"R-CHIP;100K,5%"	RC1005J104CS
190	R617	2007-007698	"R-CHIP;5.1K,1%"	MCR01MZSF5101
191	R618	2007-007142	"R-CHIP;10K,1%"	RK73H1ETP1002F
192	R619	2007-007142	"R-CHIP;10K,1%"	RK73H1ETP1002F
193	R622	2007-001311	"R-CHIP;270,5%"	RC1005J271CS
194	R623	2007-007311	"R-CHIP;22K,1%"	MCR01MZSF2202
195	R625	2007-001301	"R-CHIP;68,5%"	RC1005J680CS
196	R626	2007-001301	"R-CHIP;68,5%"	RC1005J680CS
197	R628	2007-007307	"R-CHIP;150,1%"	MCR01MZSF1500
198	R629	2007-007142	"R-CHIP;10K,1%"	RK73H1ETP1002F
199	R630	2007-001301	"R-CHIP;68,5%"	RC1005J680CS
200	R631	2007-001301	"R-CHIP;68,5%"	RC1005J680CS
201	R634	2007-000148	"R-CHIP;10K,5%"	RC1005J103CS
202	R639	2007-000148	"R-CHIP;10K,5%"	RC1005J103CS
203	R641	2007-000148	"R-CHIP;10K,5%"	RC1005J103CS
204	U100	1203-002077	IC;LP2985AIM5-3.3	LP2985AIM5-3.3
205	U200	0504-001058	TR-SMALL SIGNAL;RN4985-TE85L	RN4985-TE85L
206	U401	0801-002540	IC;NC7SZ19P6X	NC7SZ19P6X

NO	Reference	SEC Code	Part Description	Vendor Part No
207	U410	1109-001204	IC;LRS1383	LRS1383
208	U413	0801-002727	"IC-CMOS LOGIC;27WZ04,INVERTER,SOT"	NL27WZ04DFT2
209	U430	1204-001811	IC;YMU759-QE2	YMU759-QE2
210	U501	1205-001881	"IC-COMM. CONTROLLER;VP40575,BGA,1"	VP40575
211	U502	1001-001145	IC;MAX4599EXT-T	DG9411DL
212	U506	1202-001036	IC;TC75W56FK-TE12L	TC75W56FK-TE12L
213	U520	1103-001262	IC;AT24C512C1-10CI-2.7	AT24C512C1-10CI-2.7
214	U611	1209-001354	"IC-ETC, LINEAR;HD155173NPEL,QFP,2"	HD155173NPSEL
215	U635	0505-001423	TR-SMALL SIGNAL;FDG6323L	FDG6323L
216	V500	1405-001082	"VARISTOR;5.6V,20A,1x0.5x0.6mm,TP"	VC040205X150R
217	V507	1405-001082	"VARISTOR;5.6V,20A,1x0.5x0.6mm,TP"	VC040205X150R
218	V508	1405-001082	"VARISTOR;5.6V,20A,1x0.5x0.6mm,TP"	VC040205X150R
219	V509	1405-001082	"VARISTOR;5.6V,20A,1x0.5x0.6mm,TP"	VC040205X150R

3-2 Main Parts List Bottom

NO	Reference	SEC Code	Part Description	Vendor Part No
1	A1	GH61-00026A	"SPRING ETC-ANT.CONTACT;SGH-N620,B"	-
2	C105	2404-001105	"C-TA,CHIP;10UF/6.3V"	TCSCS0J106MPAR
3	C106	2203-005061	"C-CERAMIC,CHIP;C104Z,100NF,16V"	CL05F104ZONC
4	C107	2203-005065	"C-CERAMIC,CHIP;C105Z,1UF,10V"	CL10F105ZPNC
5	C108	2203-000254	"C-CERAMIC,CHIP;C103K,10NF,16V"	GRP155R71C103KA01E
6	C109	2404-001105	"C-TA,CHIP;10UF/6.3V"	TCSCS0J106MPAR
7	C110	2203-005061	"C-CERAMIC,CHIP;C104Z,100NF,16V"	CL05F104ZONC
8	C111	2203-000254	"C-CERAMIC,CHIP;C103K,10NF,16V"	GRP155R71C103KA01E
9	C112	2404-001105	"C-TA,CHIP;10UF/6.3V"	TCSCS0J106MPAR
10	C113	2404-001239	"C-TA,CHIP;100UF/6.3V"	F950J107MBAAQ2
11	C114	2404-001105	"C-TA,CHIP;10UF/6.3V"	TCSCS0J106MPAR
12	C115	2404-001239	"C-TA,CHIP;100UF/6.3V"	F950J107MBAAQ2
13	C116	2203-005065	"C-CERAMIC,CHIP;C105Z,1UF,10V"	CL10F105ZPNC
14	C117	2203-000254	"C-CERAMIC,CHIP;C103K,10NF,16V"	GRP155R71C103KA01E
15	C118	2203-000254	"C-CERAMIC,CHIP;C103K,10NF,16V"	GRP155R71C103KA01E
16	C119	2404-001105	"C-TA,CHIP;10UF/6.3V"	TCSCS0J106MPAR
17	C120	2203-005061	"C-CERAMIC,CHIP;C104Z,100NF,16V"	CL05F104ZONC
18	C121	2203-000254	"C-CERAMIC,CHIP;C103K,10NF,16V"	GRP155R71C103KA01E
19	C122	2203-005065	"C-CERAMIC,CHIP;C105Z,1UF,10V"	CL10F105ZPNC
20	C123	2203-000254	"C-CERAMIC,CHIP;C103K,10NF,16V"	GRP155R71C103KA01E
21	C124	2404-001105	"C-TA,CHIP;10UF/6.3V"	TCSCS0J106MPAR
22	C125	2203-000679	"C-CERAMIC,CHIP;C270J,27PF,50V"	GRP1555C1H270JZ01E
23	C126	2404-001231	"C-TA,CHIP;47UH/6.3V"	595D476X06R3A2T
24	C127	2203-005065	"C-CERAMIC,CHIP;C105Z,1UF,10V"	CL10F105ZPNC
25	C128	2203-000254	"C-CERAMIC,CHIP;C103K,10NF,16V"	GRP155R71C103KA01E
26	C190	2203-005065	"C-CERAMIC,CHIP;C105Z,1UF,10V"	CL10F105ZPNC
27	C200	2203-000679	"C-CERAMIC,CHIP;C270J,27PF,50V"	GRP1555C1H270JZ01E
28	C201	2203-001153	"C-CERAMIC,CHIP;C680J,68PF,50V"	GRP1555C1H680JD01E
29	C217	2203-005061	"C-CERAMIC,CHIP;C104Z,100NF,16V"	CL05F104ZONC
30	C300	2203-005061	"C-CERAMIC,CHIP;C104Z,100NF,16V"	CL05F104ZONC
31	C302	2203-005061	"C-CERAMIC,CHIP;100nF,+80-20%,16V,"	CL05F104ZONC
32	C306	2203-005061	"C-CERAMIC,CHIP;C104Z,100NF,16V"	CL05F104ZONC
33	C316	2404-001020	"C-TA,CHIP;10UF/10V"	T491A106M010AS
34	C317	2404-001105	"C-TA,CHIP;10UF/6.3V"	TCSCS0J106MPAR
35	C318	2203-005061	"C-CERAMIC,CHIP;C104Z,100NF,16V"	CL05F104ZONC
36	C320	2203-005065	"C-CERAMIC,CHIP;C105Z,1UF,10V"	CL10F105ZPNC
37	C491	2203-005065	"C-CERAMIC,CHIP;C105Z,1UF,10V"	CL10F105ZPNC
38	C492	2203-000679	"C-CERAMIC,CHIP;C270J,27PF,50V"	GRP1555C1H270JZ01E
39	C533	2203-005444	"C-CERAMIC,CHIP;C030B,3PF,50V"	GRP1555C1H3R0BZ01E
40	C534	2203-000330	"C-CERAMIC,CHIP;C120J,12PF,50V"	GRP1555C1H120JZ01E
41	C554	2203-000330	"C-CERAMIC,CHIP;C120J,12PF,50V"	GRP1555C1H120JZ01E
42	C555	2203-005444	"C-CERAMIC,CHIP;C030B,3PF,50V"	GRP1555C1H3R0BZ01E

NO	Reference	SEC Code	Part Description	Vendor Part No
43	C600	2203-000438	"C-CERAMIC,CHIP;C102K,1NF,50V"	GRP155R71H102KA01E
44	C601	2203-000254	"C-CERAMIC,CHIP;C103K,10NF,16V"	GRP155R71C103KA01E
45	C602	2203-000278	"C-CERAMIC,CHIP;C100D,10PF,50V"	GRP1555C1H100JZ01E
46	C604	2203-001259	"C-CERAMIC,CHIP;C080D,8PF,50V"	GRP1555C1H8R0DZ01E
47	C605	2203-005055	"C-CERAMIC,CHIP;C5R6C,5.6PF,50V"	GRP1555C1H5R6CZ01E
48	C607	2203-000278	"C-CERAMIC,CHIP;C100D,10PF,50V"	GRP1555C1H100JZ01E
49	C608	2203-000233	"C-CERAMIC,CHIP;C101J,100PF,50V"	GRP1555C1H101JD01E
50	C609	2203-000679	"C-CERAMIC,CHIP;C270J,27PF,50V"	GRP1555C1H270JZ01E
51	C611	2203-000995	"C-CERAMIC,CHIP;C470J,47PF,50V"	GRP1555C1H470JZ01E
52	C612	2203-001259	"C-CERAMIC,CHIP;C080D,8PF,50V"	GRP1555C1H8R0DZ01E
53	C615	2203-000438	"C-CERAMIC,CHIP;C102K,1NF,50V"	GRP155R71H102KA01E
54	C618	2203-000654	"C-CERAMIC,CHIP;C271K,270PF,50V"	GRP155R71H271KD01E
55	C619	2203-000679	"C-CERAMIC,CHIP;C270J,27PF,50V"	GRP1555C1H270JZ01E
56	C620	2203-000679	"C-CERAMIC,CHIP;C270J,27PF,50V"	GRP1555C1H270JZ01E
57	C621	2203-000278	"C-CERAMIC,CHIP;C100D,10PF,50V"	GRP1555C1H100JZ01E
58	C622	2203-000438	"C-CERAMIC,CHIP;C102K,1NF,50V"	GRP155R71H102KA01E
59	C623	2203-000233	"C-CERAMIC,CHIP;C101J,100PF,50V"	GRP1555C1H101JD01E
60	C624	2203-000233	"C-CERAMIC,CHIP;C101J,100PF,50V"	GRP1555C1H101JD01E
61	C625	2203-005053	"C-CERAMIC,CHIP;C3R9C,3.9PF,50V"	CL05C3R9CBNC
62	C627	2203-000438	"C-CERAMIC,CHIP;C102K,1NF,50V"	GRP155R71H102KA01E
63	C630	2203-000359	"C-CERAMIC,CHIP;C151J,150PF,50V"	GRP1555C1H151JD01E
64	C631	2203-000654	"C-CERAMIC,CHIP;C271K,270PF,50V"	GRP155R71H271KD01E
65	C632	2203-000438	"C-CERAMIC,CHIP;C102K,1NF,50V"	GRP155R71H102KA01E
66	C635	2203-000679	"C-CERAMIC,CHIP;C270J,27PF,50V"	GRP1555C1H270JZ01E
67	C636	2203-000438	"C-CERAMIC,CHIP;C102K,1NF,50V"	GRP155R71H102KA01E
68	C636	2203-000812	"C-CERAMIC,CHIP;C330J,33PF,50V"	GRP1555C1H330JZ01E
69	C637	2203-000679	"C-CERAMIC,CHIP;C270J,27PF,50V"	GRP1555C1H270JZ01E
70	C638	2203-000438	"C-CERAMIC,CHIP;C102K,1NF,50V"	GRP155R71H102KA01E
71	C639	2203-000254	"C-CERAMIC,CHIP;C103K,10NF,16V"	GRP155R71C103KA01E
72	C640	2203-000812	"C-CERAMIC,CHIP;C330J,33PF,50V"	GRP1555C1H330JZ01E
73	C641	2404-001105	"C-TA,CHIP;10UF/6.3V"	TCSCS0J106MPAR
74	C643	2203-000233	"C-CERAMIC,CHIP;C101J,100PF,50V"	GRP1555C1H101JD01E
75	C644	2404-001280	"C-TA,CHIP;220UF/6.3V"	F750J227MUCGZT
76	C645	2203-000438	"C-CERAMIC,CHIP;C102K,1NF,50V"	GRP155R71H102KA01E
77	C646	2203-005050	"C-CERAMIC,CHIP;C1R8C,1.8PF,50V"	GRP1555C1H1R8CZ01E
78	C648	2203-000438	"C-CERAMIC,CHIP;C102K,1NF,50V"	GRP155R71H102KA01E
79	C649	2404-001101	"C-TA,CHIP;1UF/16V"	TAJR105M016R
80	C650	2203-000438	"C-CERAMIC,CHIP;C102K,1NF,50V"	GRP155R71H102KA01E
81	C651	2203-000812	"C-CERAMIC,CHIP;C330J,33PF,50V"	GRP1555C1H330JZ01E
82	C652	2203-002443	"C-CERAMIC,CHIP;C331K,330PF,50V"	CL05B331KBNC
83	C653	2301-001197	"C-FILM,CHIP;0.39nF,5%,50V,TP,2x1."	ECHU1H391JX5
84	C654	2301-001213	"C-FILM,CHIP;6.8nF,5%,16V,TP,2012,"	ECHU1C682JX5

NO	Reference	SEC Code	Part Description	Vendor Part No
85	C655	2203-000679	"C-CERAMIC,CHIP;C270J,27PF,50V"	GRP1555C1H270JZ01E
86	C658	2203-000812	"C-CERAMIC,CHIP;C330J,33PF,50V"	GRP1555C1H330JZ01E
87	C662	2203-002525	"C-CERAMIC,CHIP;C561K,560PF,50V"	GRP155R71H561KD01E
88	C664	2203-000233	"C-CERAMIC,CHIP;C101J,100PF,50V"	GRP1555C1H101JD01E
89	C665	2203-000233	"C-CERAMIC,CHIP;C101J,100PF,50V"	GRP1555C1H101JD01E
90	C669	2203-000254	"C-CERAMIC,CHIP;C103K,10NF,16V"	GRP155R71C103KA01E
91	C670	2203-002525	"C-CERAMIC,CHIP;C561K,560PF,50V"	GRP155R71H561KD01E
92	C671	2203-000254	"C-CERAMIC,CHIP;C103K,10NF,16V"	GRP155R71C103KA01E
93	C673	2203-002525	"C-CERAMIC,CHIP;C561K,560PF,50V"	GRP155R71H561KD01E
94	C674	2203-000254	"C-CERAMIC,CHIP;C103K,10NF,16V"	GRP155R71C103KA01E
95	C675	2203-000233	"C-CERAMIC,CHIP;C101J,100PF,50V"	GRP1555C1H101JD01E
96	C676	2203-000233	"C-CERAMIC,CHIP;C101J,100PF,50V"	GRP1555C1H101JD01E
97	C677	2203-000233	"C-CERAMIC,CHIP;C101J,100PF,50V"	GRP1555C1H101JD01E
98	C678	2203-000233	"C-CERAMIC,CHIP;C101J,100PF,50V"	GRP1555C1H101JD01E
99	C679	2203-000679	"C-CERAMIC,CHIP;C270J,27PF,50V"	GRP1555C1H270JZ01E
100	C700	2203-000330	"C-CERAMIC,CHIP;C120J,12PF,50V"	GRP1555C1H120JZ01E
101	C702	2203-000278	"C-CERAMIC,CHIP;C100D,10PF,50V"	GRP1555C1H100JZ01E
102	CN2	3710-001105	CONNECTOR;24-8005-002-000-867	24-8005-002-000-867
103	CN211	3711-004937	CONNECTOR;AXK6F14335J	AXK6F14335J
104	CN220	3710-001595	CONNECTOR;1004-0018-304	1004-0018-304
105	CN3	3710-001105	CONNECTOR;24-8005-002-000-867	24-8005-002-000-867
106	CN310	3709-001177	CONNECTOR;ID1AS1-6S-2.54SFD	ID1AS1-6S-2.54SFD
107	CN501	3722-001715	"JACK-PHONE;6P,2.3PI,AU,BLK,-"	02-828P0-53BKA
108	D300	0407-001007	"DIODE-ARRAY;UMN1,80V,25mA,CA4-2,U"	UMN1
109	L600	2703-001669	INDUCTOR-SMD;0603CS-72NXJBC	0603CS-72NXJBC
110	L601	2703-001669	INDUCTOR-SMD;0603CS-72NXJBC	0603CS-72NXJBC
111	L602	2703-002201	INDUCTOR-SMD;CIH05T33NJNC	CIH05T33NJNC
112	L603	2703-001514	INDUCTOR-SMD;0603CS-68NXJBC	0603CS-68NXJBC
113	L605	2703-002268	INDUCTOR-SMD;CIH05T8N2JNC	CIH05T8N2JNC
114	L606	2703-002204	INDUCTOR-SMD;CIH05T22NJNC	CIH05T22NJNC
115	L607	2703-002281	INDUCTOR-SMD;CIH05T5N6SNC	CIH05T5N6SNC
116	L608	2703-002170	INDUCTOR-SMD;CIH05T6N8JNC	CIH05T6N8JNC
117	L609	2703-002201	INDUCTOR-SMD;CIH05T33NJNC	CIH05T33NJNC
118	L612	2703-001685	INDUCTOR-SMD;0603CS-82NXJBC	0603CS-82NXJBC
119	L615	2703-002170	INDUCTOR-SMD;CIH05T6N8JNC	CIH05T6N8JNC
120	L616	2703-002170	INDUCTOR-SMD;CIH05T6N8JNC	CIH05T6N8JNC
121	L618	2703-002207	INDUCTOR-SMD;CIH05T3N3SNC	CIH05T3N3SNC
122	L622	2703-002198	INDUCTOR-SMD;CIH05T10NJNC	CIH05T10NJNC
123	L623	2703-002208	INDUCTOR-SMD;CIH05T2N2SNC	CIH05T2N2SNC
124	M100	4302-001119	"BATTERY-LI(2ND);3V,0.1MAH,-,-,3.1"	ML414R-TT30
125	Q300	0506-001004	"TR-ARRAY;UMC5N,NPN/PNP,2,50V,-,-1"	UMC5NTR
126	Q303	0501-002346	TR-SMALL SIGNAL;2SB1427-E-T100	2SB1427-E-T100

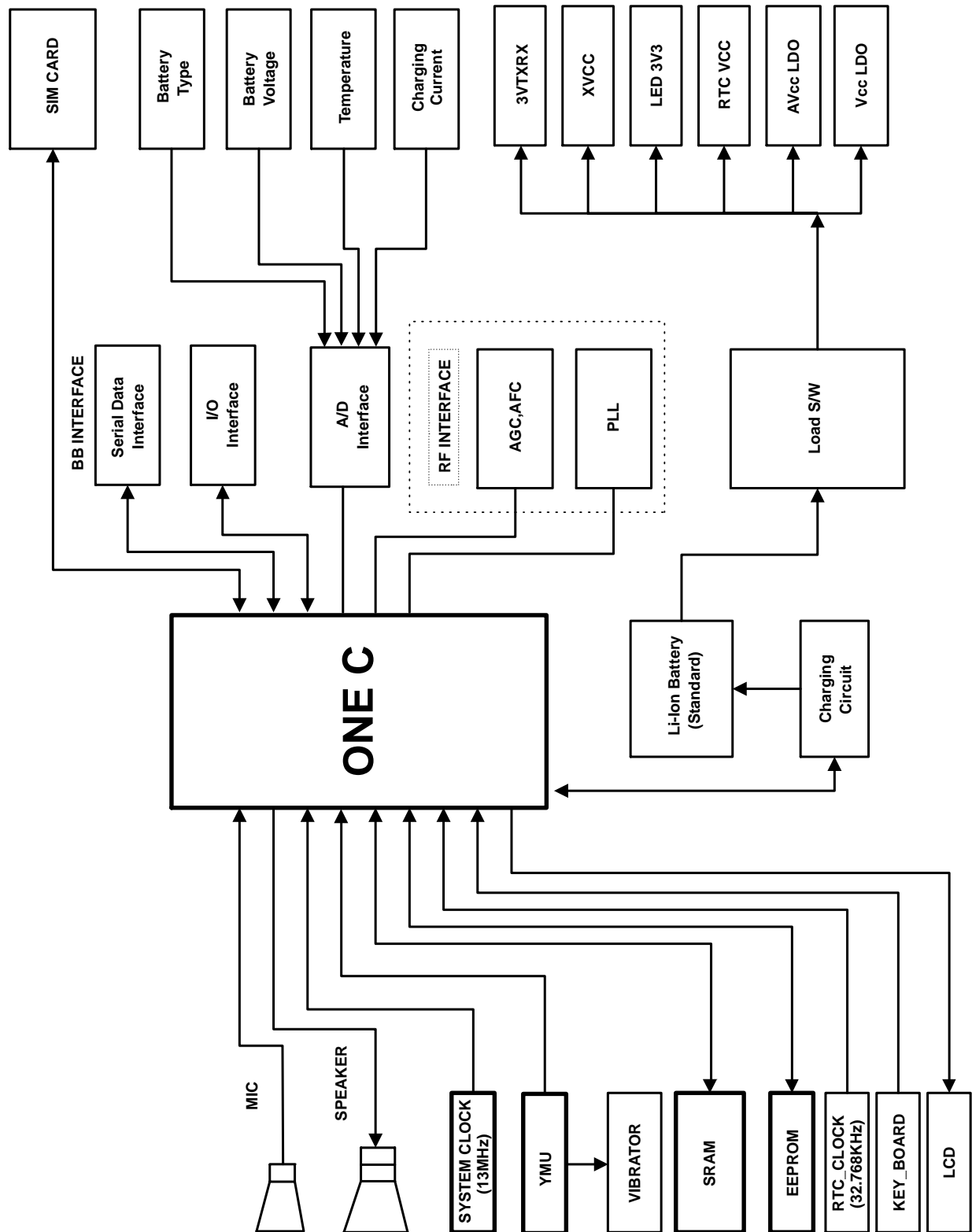
NO	Reference	SEC Code	Part Description	Vendor Part No
127	Q604	0501-000225	TR-SMALL SIGNAL;2SC4617	2SC4617R
128	R102	2007-000162	"R-CHIP;100K,5%"	RC1005J104CS
129	R103	2007-000162	"R-CHIP;100K,5%"	RC1005J104CS
130	R104	2007-000140	"R-CHIP;1K,5%"	RC1005J102CS
131	R105	2007-000162	"R-CHIP;100K,5%"	RC1005J104CS
132	R107	2007-000140	"R-CHIP;1K,5%"	RC1005J102CS
133	R108	2007-000140	"R-CHIP;1K,5%"	RC1005J102CS
134	R300	2007-000162	"R-CHIP;100K,5%"	RC1005J104CS
135	R301	2007-000162	"R-CHIP;100K,5%"	RC1005J104CS
136	R302	2007-000148	"R-CHIP;10K,5%"	RC1005J103CS
137	R303	2007-000162	"R-CHIP;100K,5%"	RC1005J104CS
138	R304	2007-000162	"R-CHIP;100K,5%"	RC1005J104CS
139	R305	2007-000162	"R-CHIP;100K,5%"	RC1005J104CS
140	R306	2007-000148	"R-CHIP;10K,5%"	RC1005J103CS
141	R307	2007-000159	"R-CHIP;56K,5%"	RC1005J563CS
142	R320	2007-007590	"R-CHIP;82K,1%"	MCR01MZSF8202
143	R323	2007-007107	"R-CHIP;100K,1%"	RK73H1ETP1003F
144	R328	2007-008117	"R-CHIP;2.7K,1%"	RK73H1ETP2701F
145	R492	2007-000143	"R-CHIP;4.7K,5%"	RC1005J472CS
146	R546	2007-007317	"R-CHIP;2.2K,1%"	MCR01MZSF2201
147	R602	2007-001298	"R-CHIP;51,5%"	RC1005J510CS
148	R604	2007-000172	"R-CHIP;10,5%"	RC1005J100CS
149	R605	2007-001298	"R-CHIP;51,5%"	RC1005J510CS
150	R606	2007-001335	"R-CHIP;36K,5%"	RC1005J363CS
151	R607	2007-000139	"R-CHIP;220,5%"	RC1005J221CS
152	R608	2007-000139	"R-CHIP;220,5%"	RC1005J221CS
153	R609	2007-001290	"R-CHIP;24,5%"	RC1005J240CS
154	R610	2007-000138	"R-CHIP;100,5%"	RC1005J101CS
155	R611	2007-001290	"R-CHIP;24,5%"	RC1005J240CS
156	R612	2007-001301	"R-CHIP;68,5%"	RC1005J680CS
157	R613	2007-000139	"R-CHIP;220,5%"	RC1005J221CS
158	R614	2007-000139	"R-CHIP;220,5%"	RC1005J221CS
159	R615	2007-000138	"R-CHIP;100,5%"	RC1005J101CS
160	R616	2007-000138	"R-CHIP;100,5%"	RC1005J101CS
161	R621	2007-000174	"R-CHIP;47,5%"	RC1005J470CS
162	R624	2007-000148	"R-CHIP;10K,5%"	RC1005J103CS
163	R632	2007-000140	"R-CHIP;1K,5%"	RC1005J102CS
164	R633	2007-000148	"R-CHIP;10K,5%"	RC1005J103CS
165	R635	2007-000140	"R-CHIP;1K,5%"	RC1005J102CS
166	R636	2007-007529	"R-CHIP;91K,1%"	MCR01MZSF9102
167	R637	2007-000172	"R-CHIP;10,5%"	RC1005J100CS
168	R638	2007-001333	"R-CHIP;18K,5%"	RC1005J183CS

NO	Reference	SEC Code	Part Description	Vendor Part No
169	R642	2011-001264	"R-NETWORK;10ohm,5%,1/16W,L,CHIP,8"	EXB28V100J
170	R643	2007-001319	"R-CHIP;1.2K,5%"	MCR01MZSJ122
171	R644	2007-000172	"R-CHIP;10,5%"	RC1005J100CS
172	SW1	3404-001152	"SWITCH-TACT;12V DC,20mA,160gf,4.5"	LS10N2-T
173	SW2	3404-001152	"SWITCH-TACT;12V DC,20mA,160gf,4.5"	LS10N2-T
174	TH300	1404-001005	"THERMISTOR-NTC;47Kohm,5%,4050K,2."	NCP21WB473J03RA
175	U102	1203-002076	IC;LP2985AIM5-3.0	LP2985AIM5-3.0
176	U103	1203-001701	IC;LP2982AIM5X-3.0	LP2982AIM5X-3.0
177	U104	0505-001423	TR-SMALL SIGNAL;FDG6323L	FDG6323L
178	U105	1203-002076	IC;LP2985AIM5-3.0	LP2985AIM5-3.0
179	U106	0505-001376	TR-SMALL SIGNAL;FDC6329L	FDC6329L
180	U110	1203-002076	IC;LP2985AIM5-3.0	LP2985AIM5-3.0
181	U111	0505-001423	TR-SMALL SIGNAL;FDG6323L	FDG6323L
182	U300	0505-001423	TR-SMALL SIGNAL;FDG6323L	FDG6323L
183	U303	1203-002127	IC;LTC1734ES6-4.2#TR	LTC1734ES6-4.2#TR
184	U420	1003-001440	IC;MDC3105LT1	MDC3105LT1
185	U580	1203-001511	IC;MAX809REUR-T	MAX809REUR-T
186	U600	3705-001242	CONNECTOR;CRS5001-1702	CRS5001-1702
187	U601	2903-001266	"FILTER-DIELECTRIC;BP,225MHZ,-,9dB"	SAFCJ225MRA0X01R11
188	U602	2909-001164	"FILTER-DUPLEXER;1.99GHZ,1.85GHZ,1"	LMG002S-5029A
189	U604	2904-001389	"FILTER-SAW;1.96GHZ,75MHZ,925-960M"	WG60AR0
190	U605	1205-001935	IC;HD155128TF	HD155128TFSEB
191	U607	4709-001214	"COUPLER-DIRECTION;880-915MHZ,19.5"	DCS214E-0897
192	U608	1201-001864	IC;PF08123B-TB	PF08123B-TB
193	U609	4709-001243	"COUPLER-DIRECTION;1850-1910MHZ,14"	DCS214A-1880
194	U610	NEW-IC001	OSCILLATOR-VCO;VOD1880C29KRB	VOD1880C29KRB
195	U612	1209-001337	"IC-PLL/SYNTHESIZER;SI4133G-XM2R,L"	SI4133G-XM2R
196	U613	2809-001255	OSCILLATOR;TCO-9133S(13MHZ)	TCO-9133S(13MHZ)
197	U634	2904-001389	"FILTER-SAW;1.96GHZ,75MHZ,925-960M"	WG60AR0
198	V200	1405-001110	"VARISTOR;18V,20A,1X0.5X0.6MM,TP"	AVLC 14S 02 050
199	V201	1405-001110	"VARISTOR;18V,20A,1X0.5X0.6MM,TP"	AVLC 14S 02 050
200	V2010	1405-001093	"VARISTOR;14V,20A,1x0.5x0.6mm,TP"	VC040214X300
201	V202	1405-001110	"VARISTOR;18V,20A,1X0.5X0.6MM,TP"	AVLC 14S 02 050
202	V203	1405-001110	"VARISTOR;18V,20A,1X0.5X0.6MM,TP"	AVLC 14S 02 050
203	V204	1405-001110	"VARISTOR;18V,20A,1X0.5X0.6MM,TP"	AVLC 14S 02 050
204	V205	1405-001082	"VARISTOR;5.6V,20A,1x0.5x0.6mm,TP"	VC040205X150R
205	V206	1405-001110	"VARISTOR;18V,20A,1X0.5X0.6MM,TP"	AVLC 14S 02 050
206	V207	1405-001110	"VARISTOR;18V,20A,1X0.5X0.6MM,TP"	AVLC 14S 02 050
207	V208	1405-001110	"VARISTOR;18V,20A,1X0.5X0.6MM,TP"	AVLC 14S 02 050
208	V209	1405-001093	"VARISTOR;14V,20A,1x0.5x0.6mm,TP"	VC040214X300
209	V211	1405-001110	"VARISTOR;18V,20A,1X0.5X0.6MM,TP"	AVLC 14S 02 050
210	V212	1405-001093	"VARISTOR;14V,20A,1x0.5x0.6mm,TP"	VC040214X300

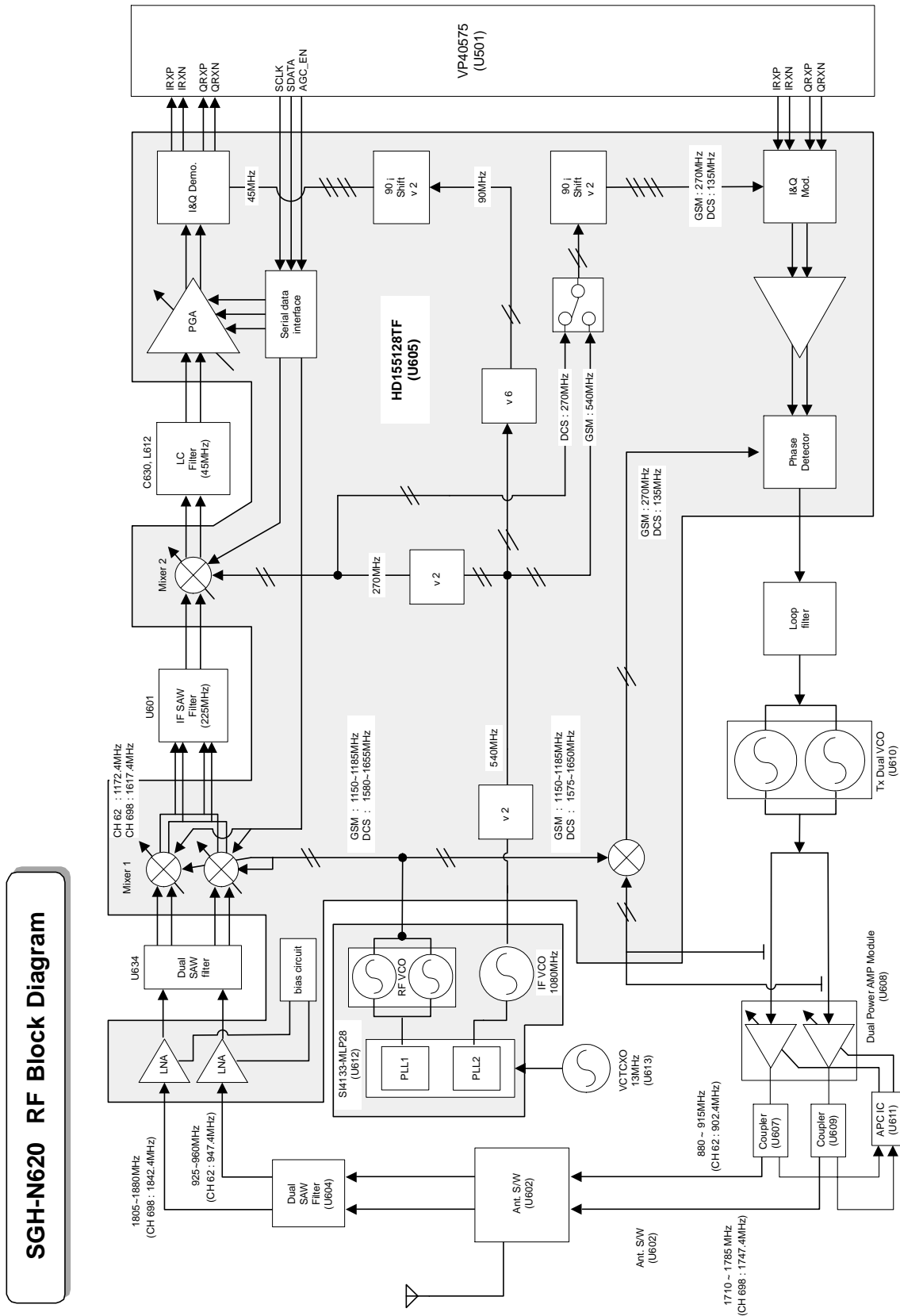
NO	Reference	SEC Code	Part Description	Vendor Part No
211	V213	1405-001093	"VARISTOR;14V,20A,1x0.5x0.6mm,TP"	VC040214X300
212	V400	1405-001082	"VARISTOR;5.6V,20A,1x0.5x0.6mm,TP"	VC040205X150R
213	V401	1405-001082	"VARISTOR;5.6V,20A,1x0.5x0.6mm,TP"	VC040205X150R
214	V402	1405-001082	"VARISTOR;5.6V,20A,1x0.5x0.6mm,TP"	VC040205X150R
215	V501	1405-001082	"VARISTOR;5.6V,20A,1x0.5x0.6mm,TP"	VC040205X150R
216	V502	1405-001082	"VARISTOR;5.6V,20A,1x0.5x0.6mm,TP"	VC040205X150R
217	V503	1405-001082	"VARISTOR;5.6V,20A,1x0.5x0.6mm,TP"	VC040205X150R
218	V504	1405-001082	"VARISTOR;5.6V,20A,1x0.5x0.6mm,TP"	VC040205X150R
219	V505	1405-001082	"VARISTOR;5.6V,20A,1x0.5x0.6mm,TP"	VC040205X150R
220	V506	1405-001082	"VARISTOR;5.6V,20A,1x0.5x0.6mm,TP"	VC040205X150R
221	ZD202	0406-001121	"DIODE-TVS;SMF05C,6/-/-V,100W,SC-7"	SMF05C
222	ZD203	0406-001121	"DIODE-TVS;SMF05C,6/-/-V,100W,SC-7"	SMF05C

4. Block Diagrams

4-1 Main Base Band



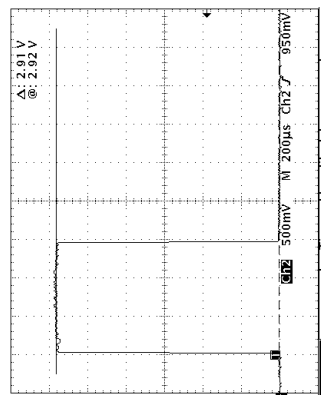
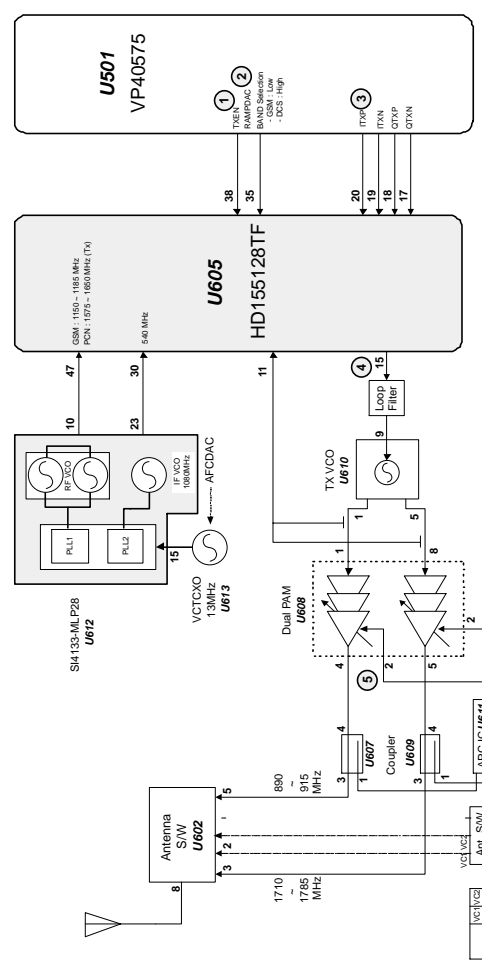
4-2 Main RF



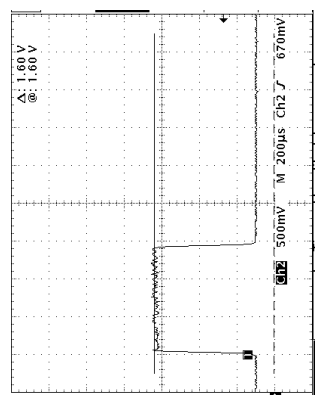
4-2-1 RF Tx Part

SGH-N620 RF Block Diagram - Tx Part

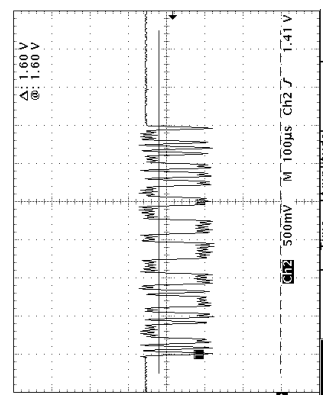
- GSM : Tx level 5 @ 60 CH
- DCS : Tx level 0 @ 698 CH



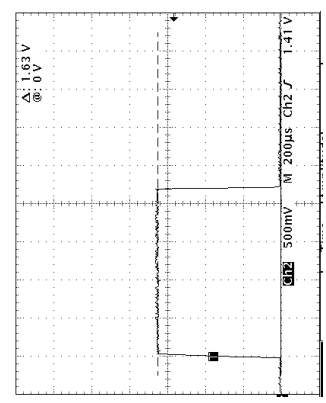
a



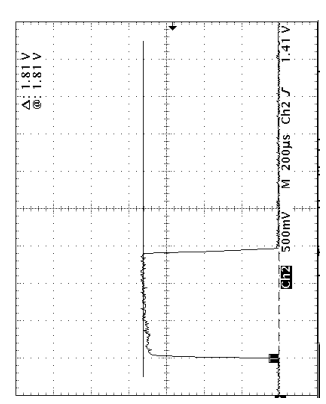
b



c



d

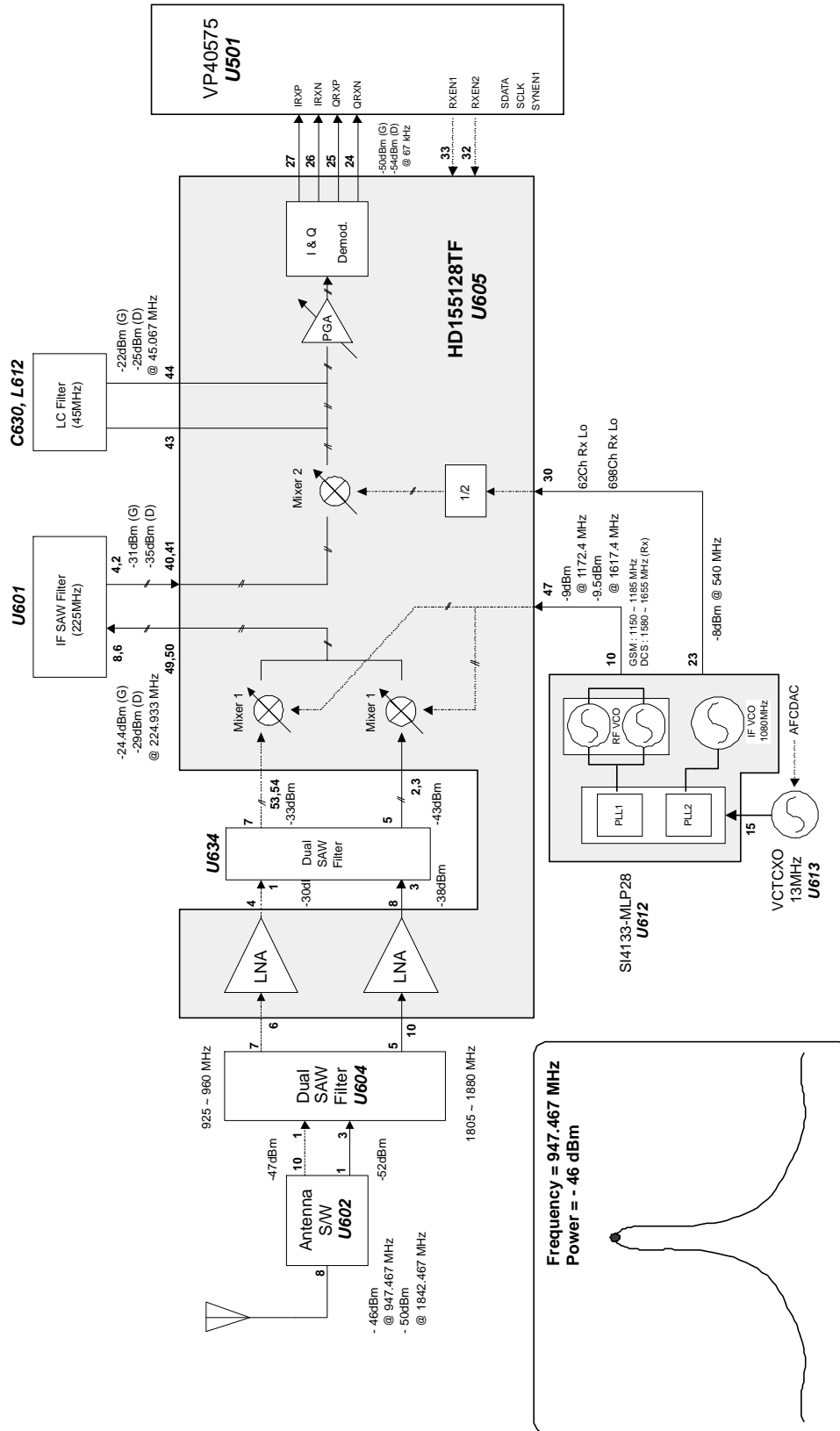


e

4-2-2 RF Rx Part

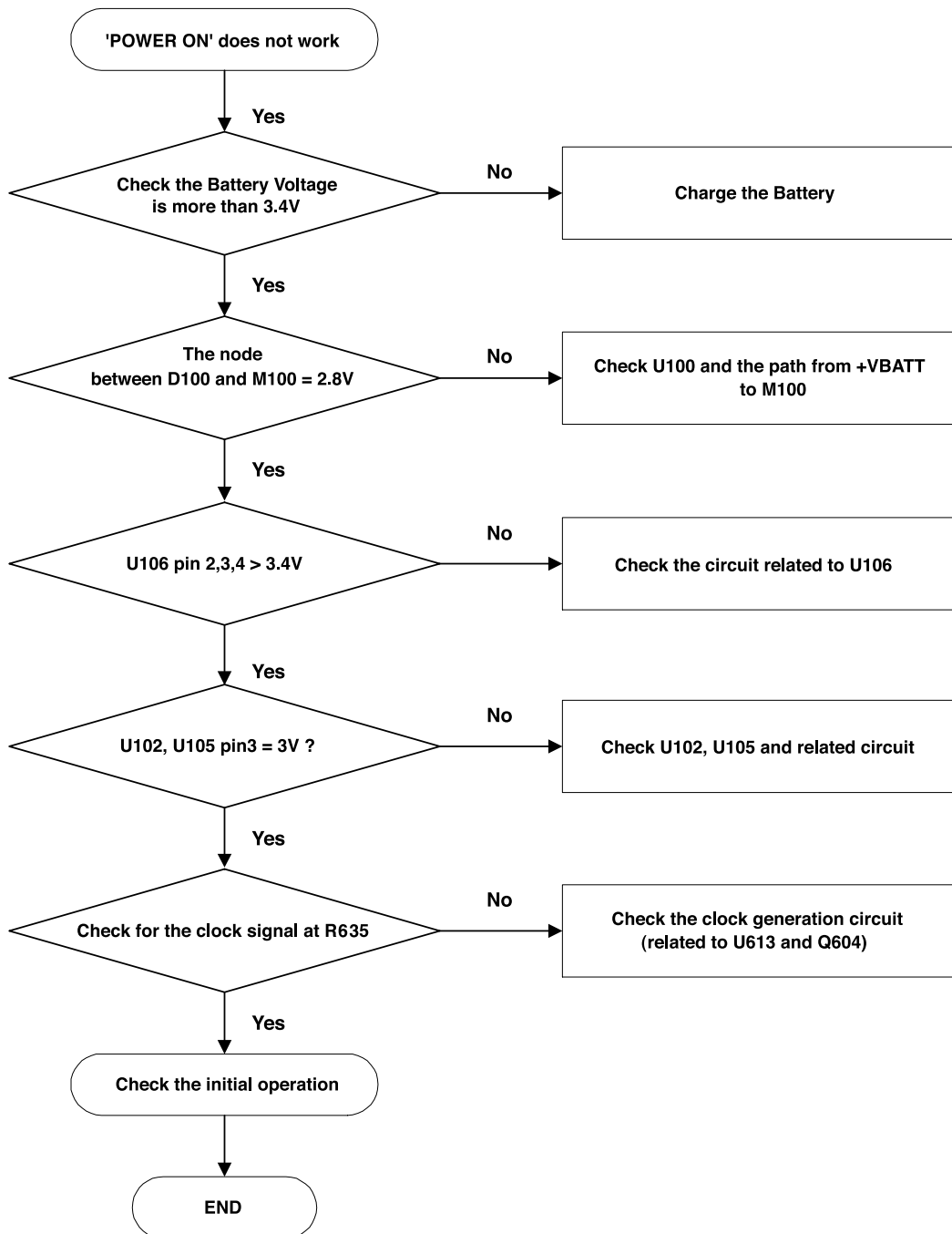
SGH-N620 RF Block Diagram - Rx Part

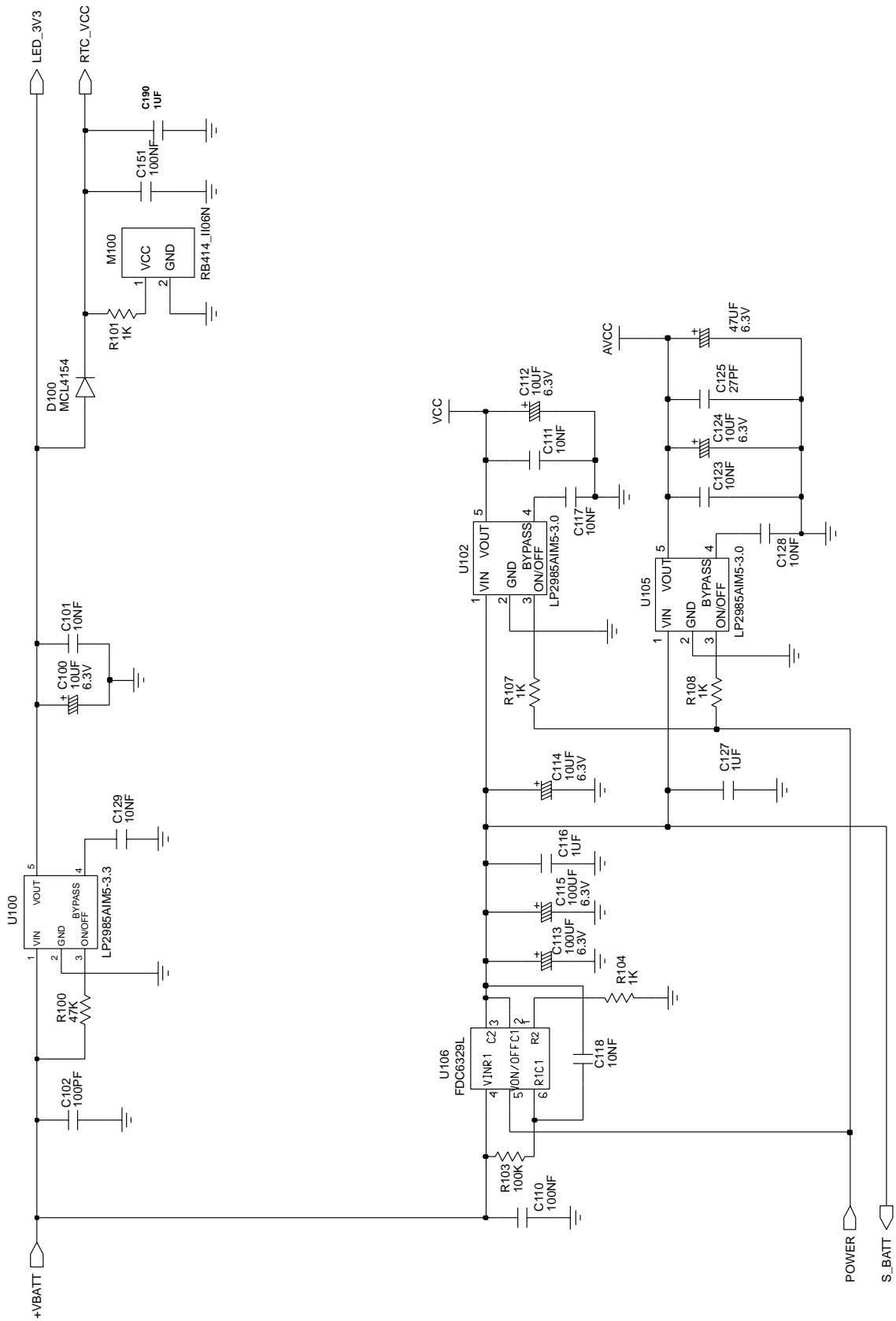
- GSM : Tx level 5 @ 60 CH, BS Power = - 40 dBm
- DCS : Tx level 0 @ 698 CH, BS Power = - 40 dBm



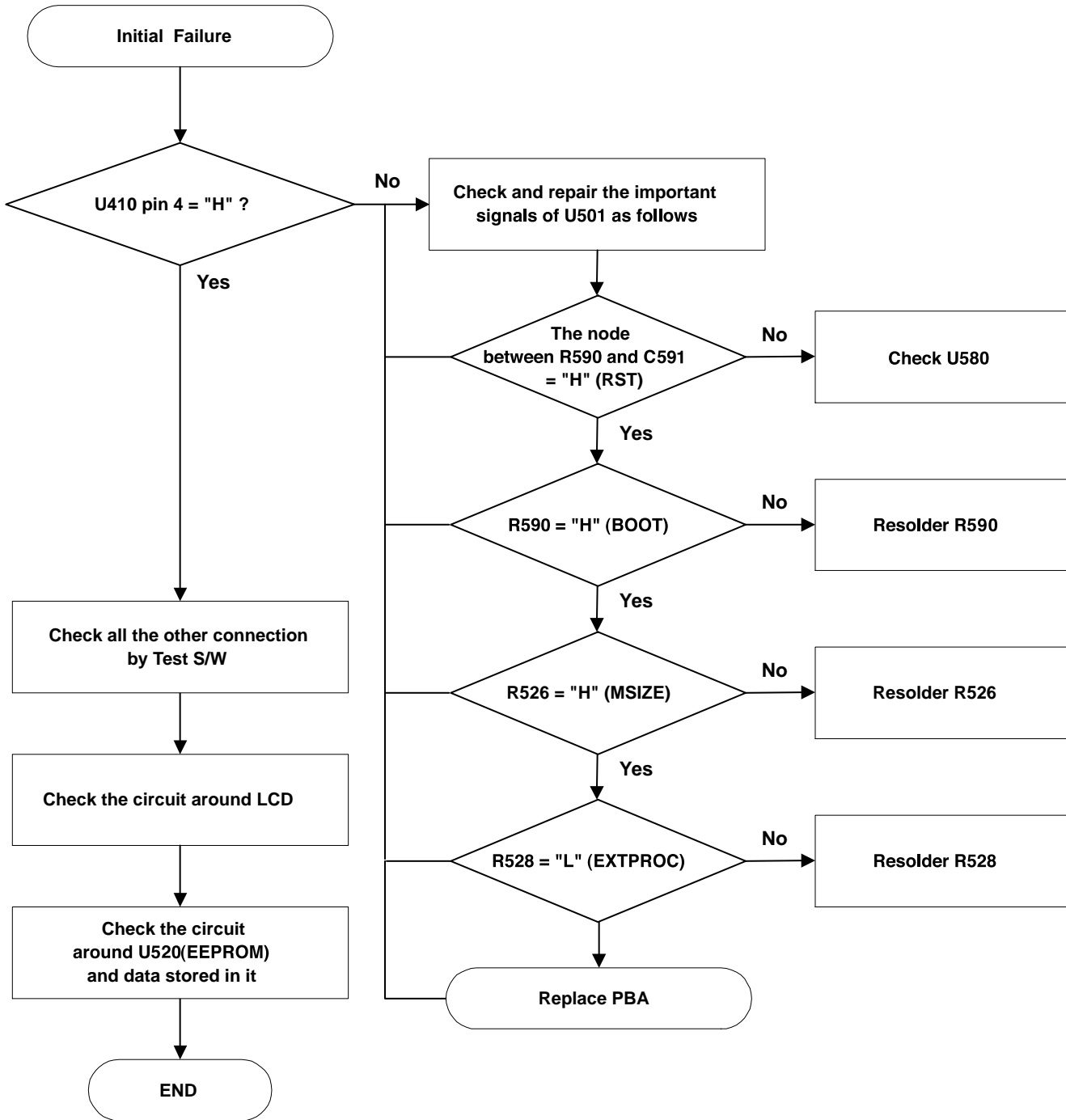
5. Flow chart of trouble shooting

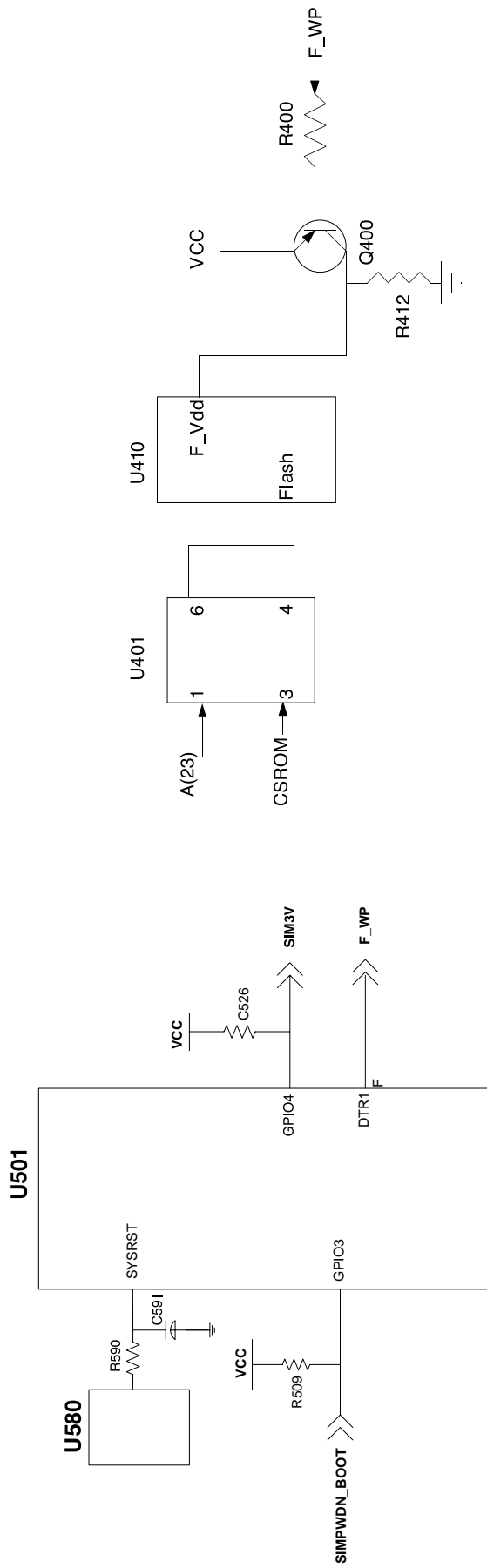
5-1 Power ON



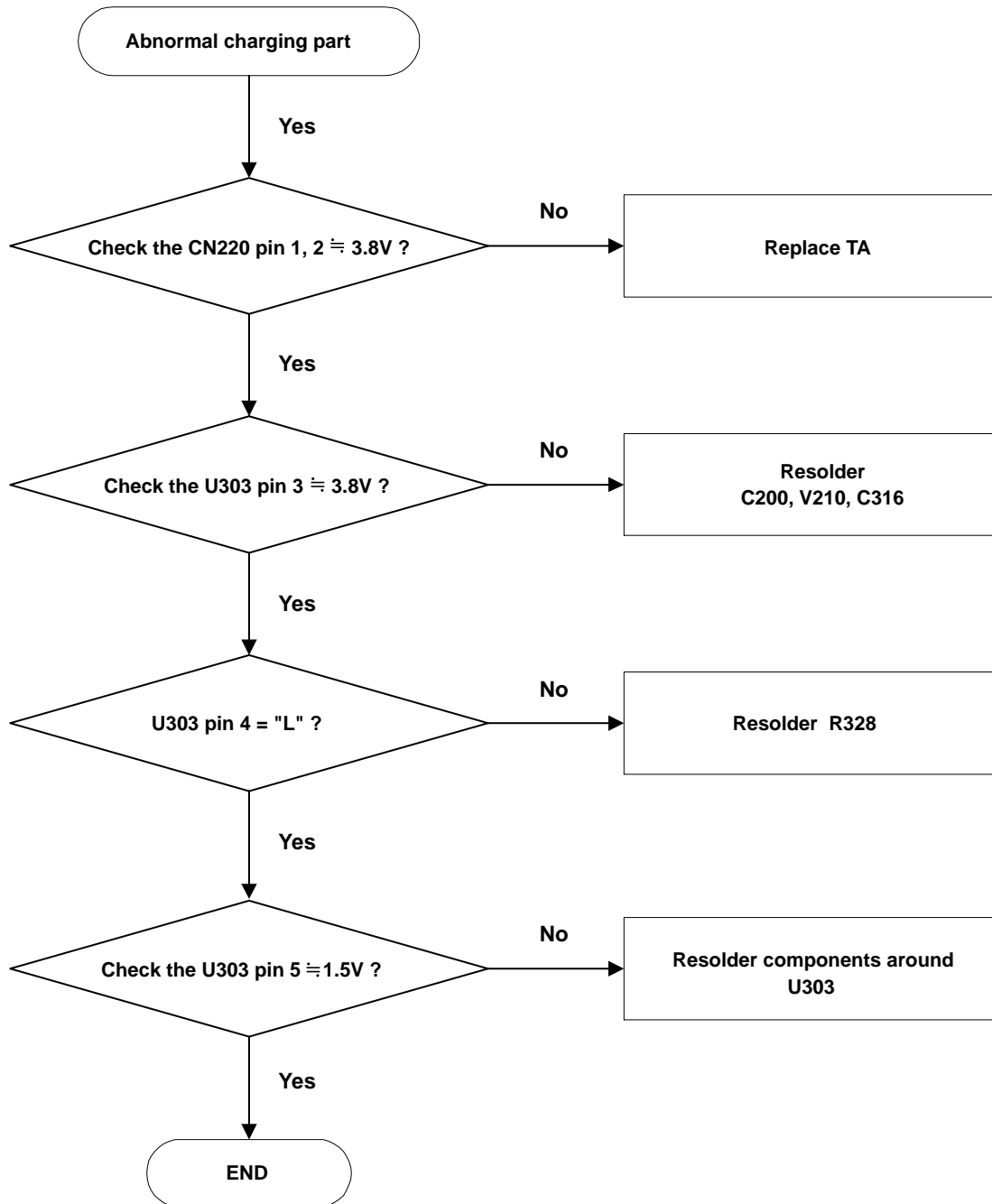


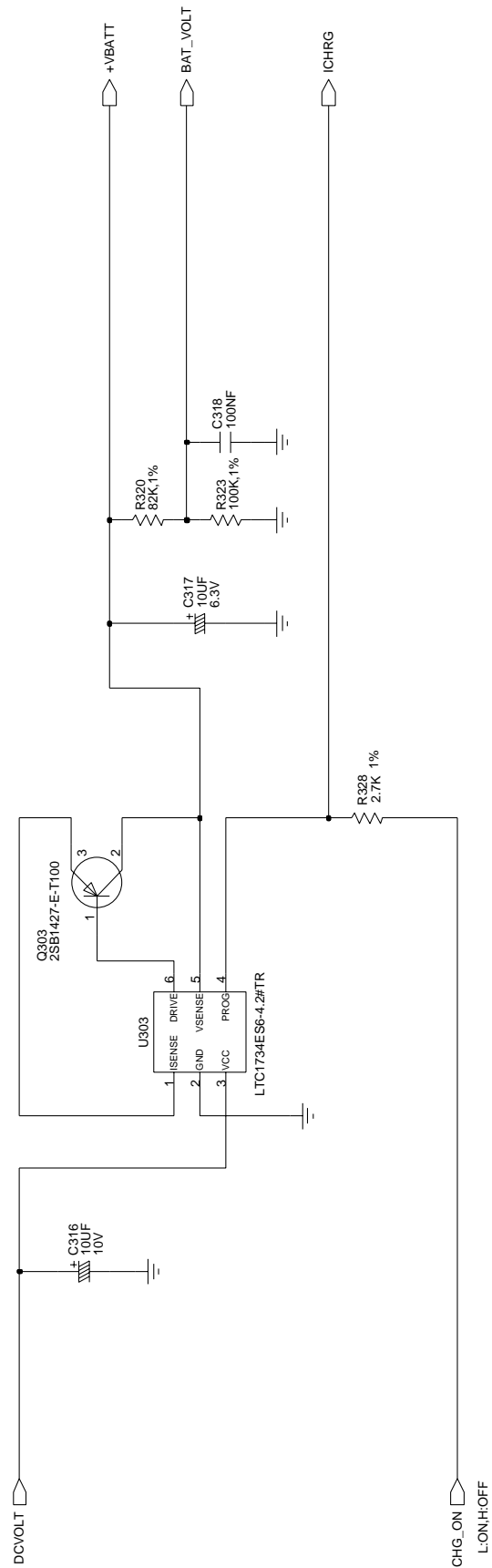
5-2 Initial



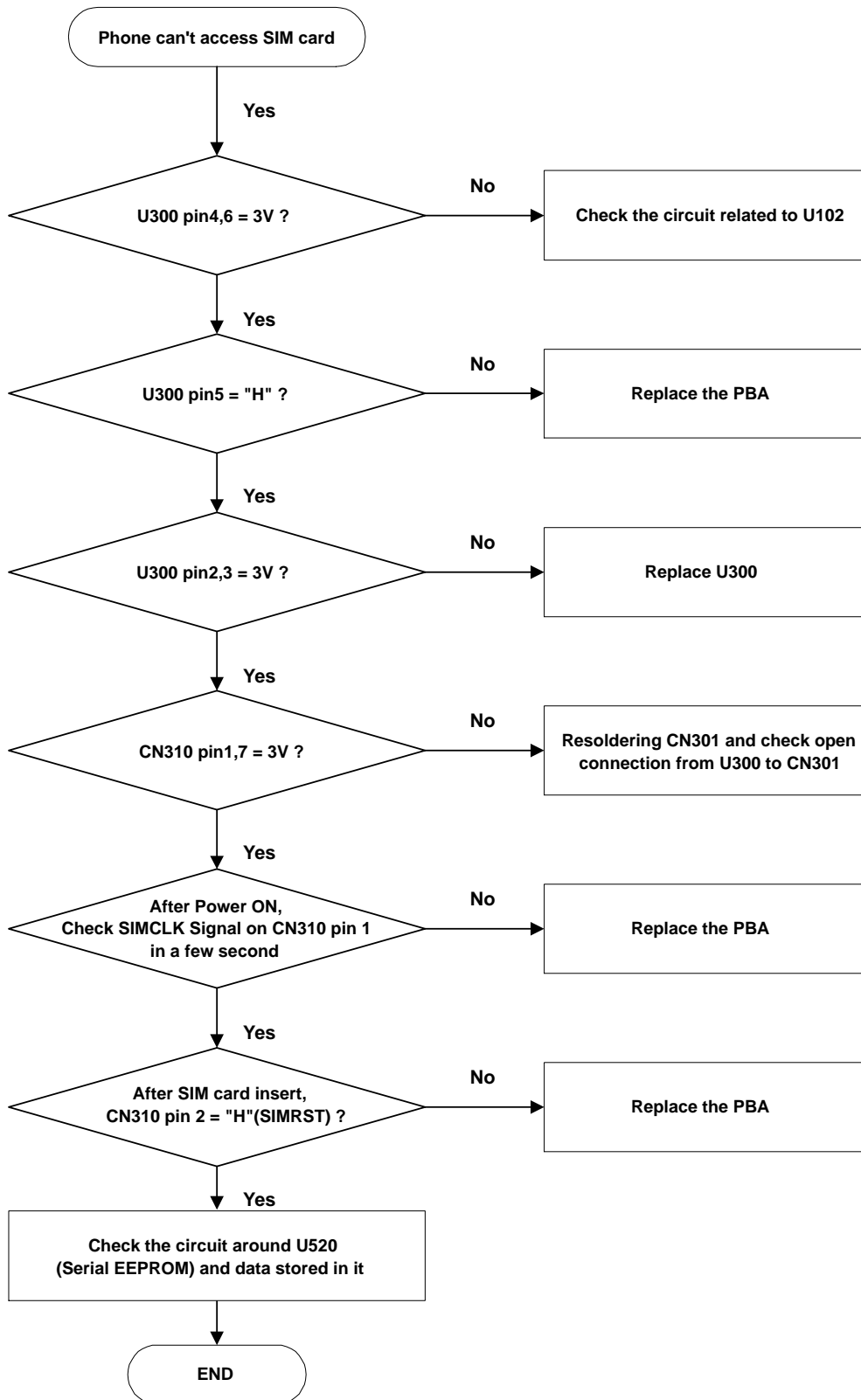


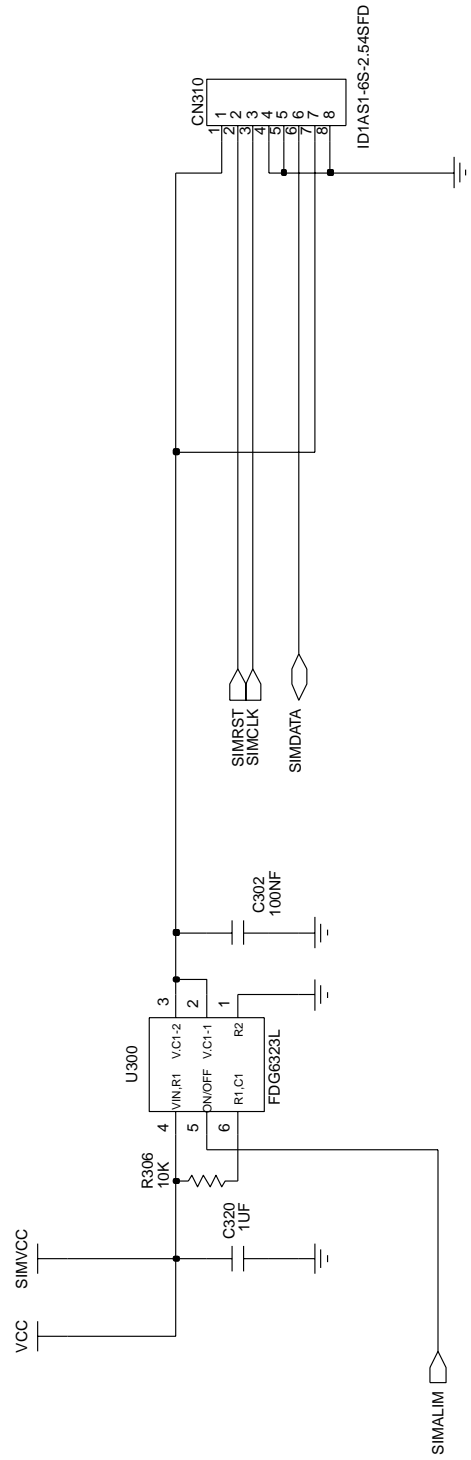
5-3 Charging Part



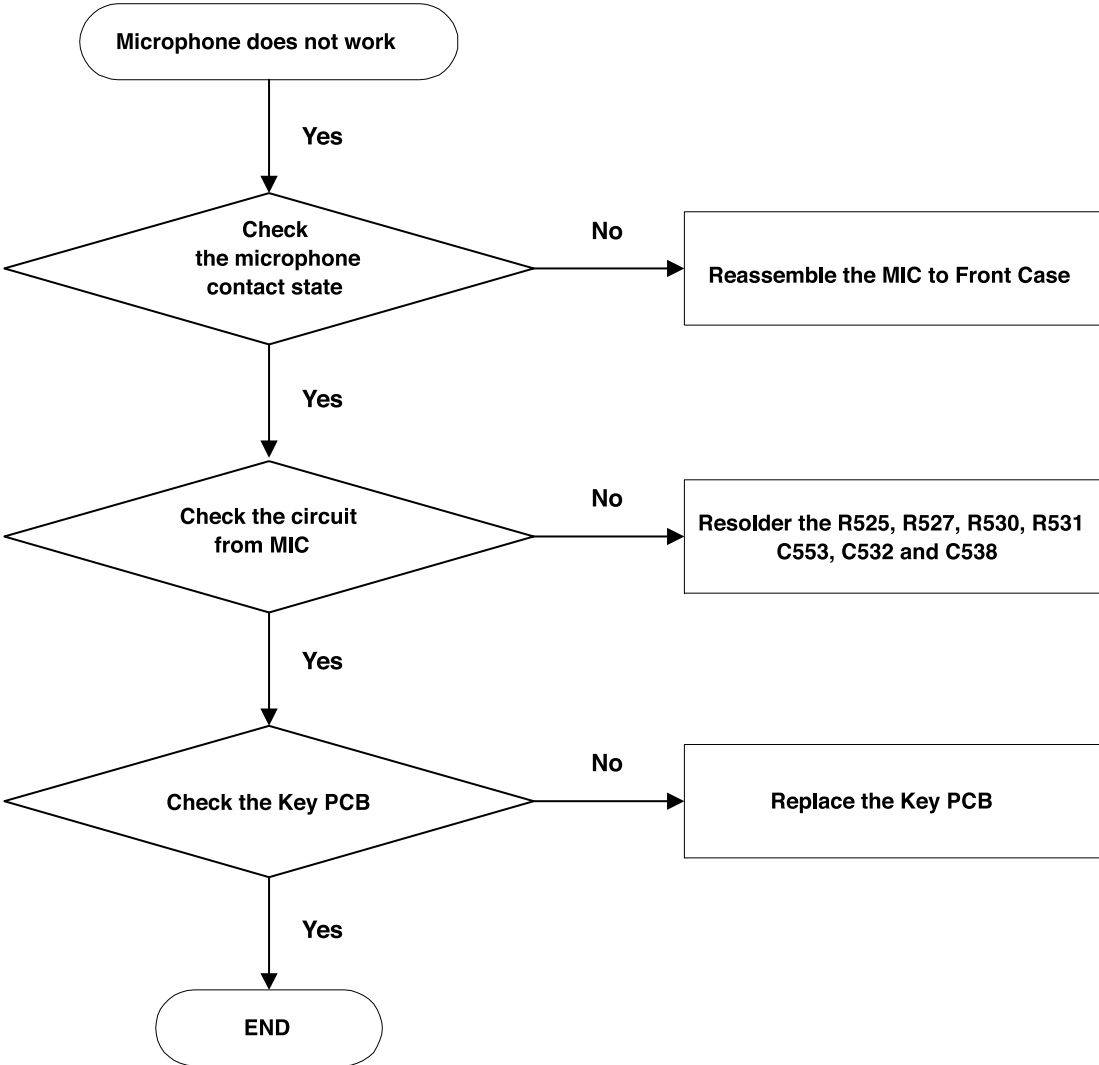


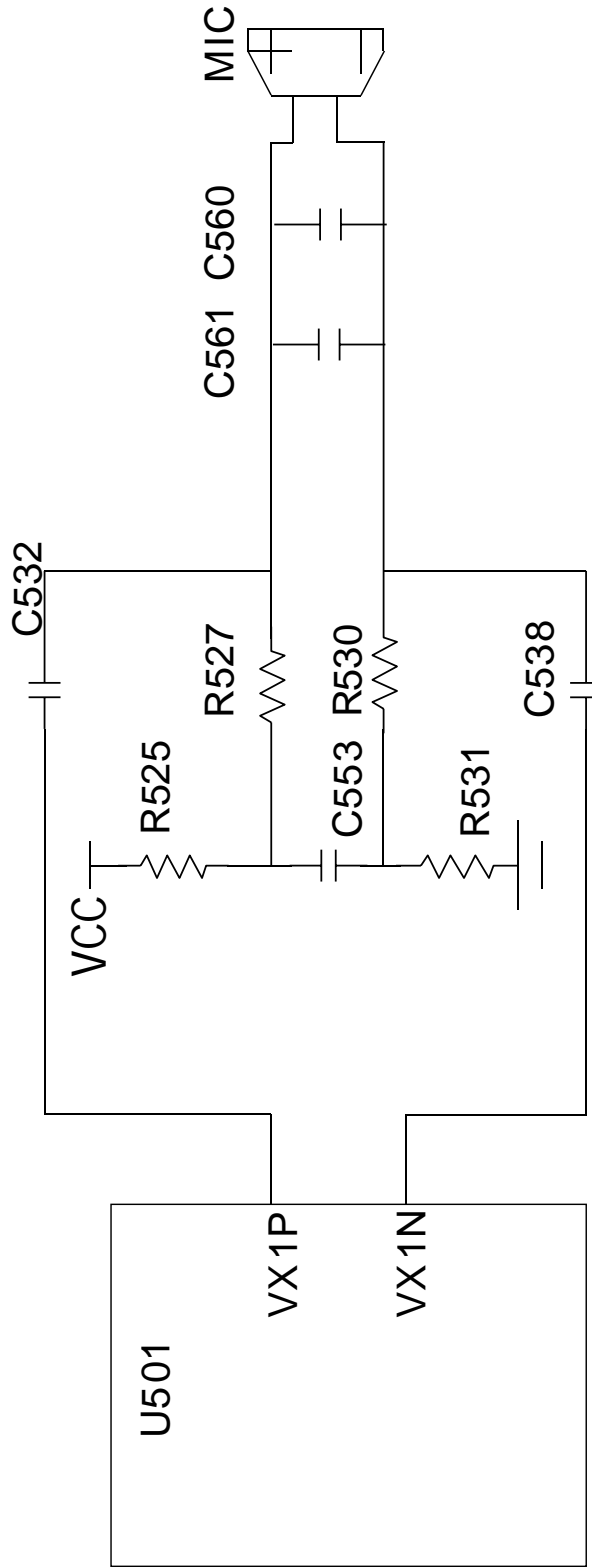
5-4 Sim Part



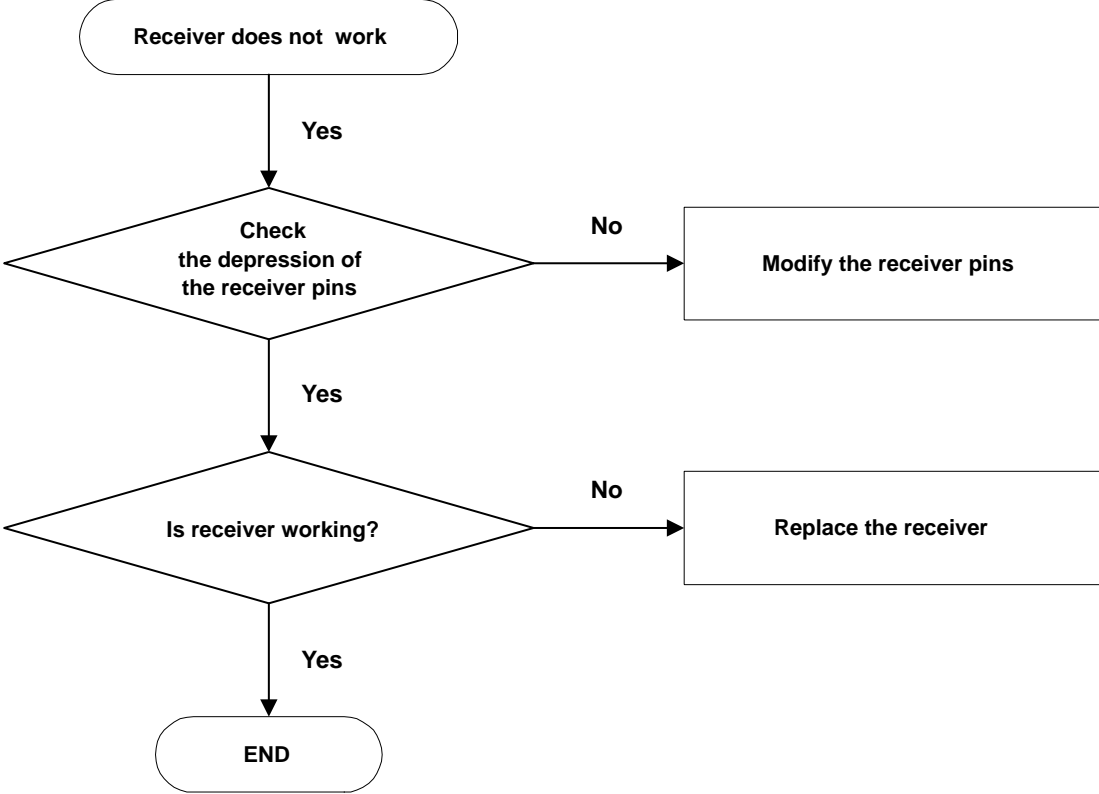


5-5 Microphone Part

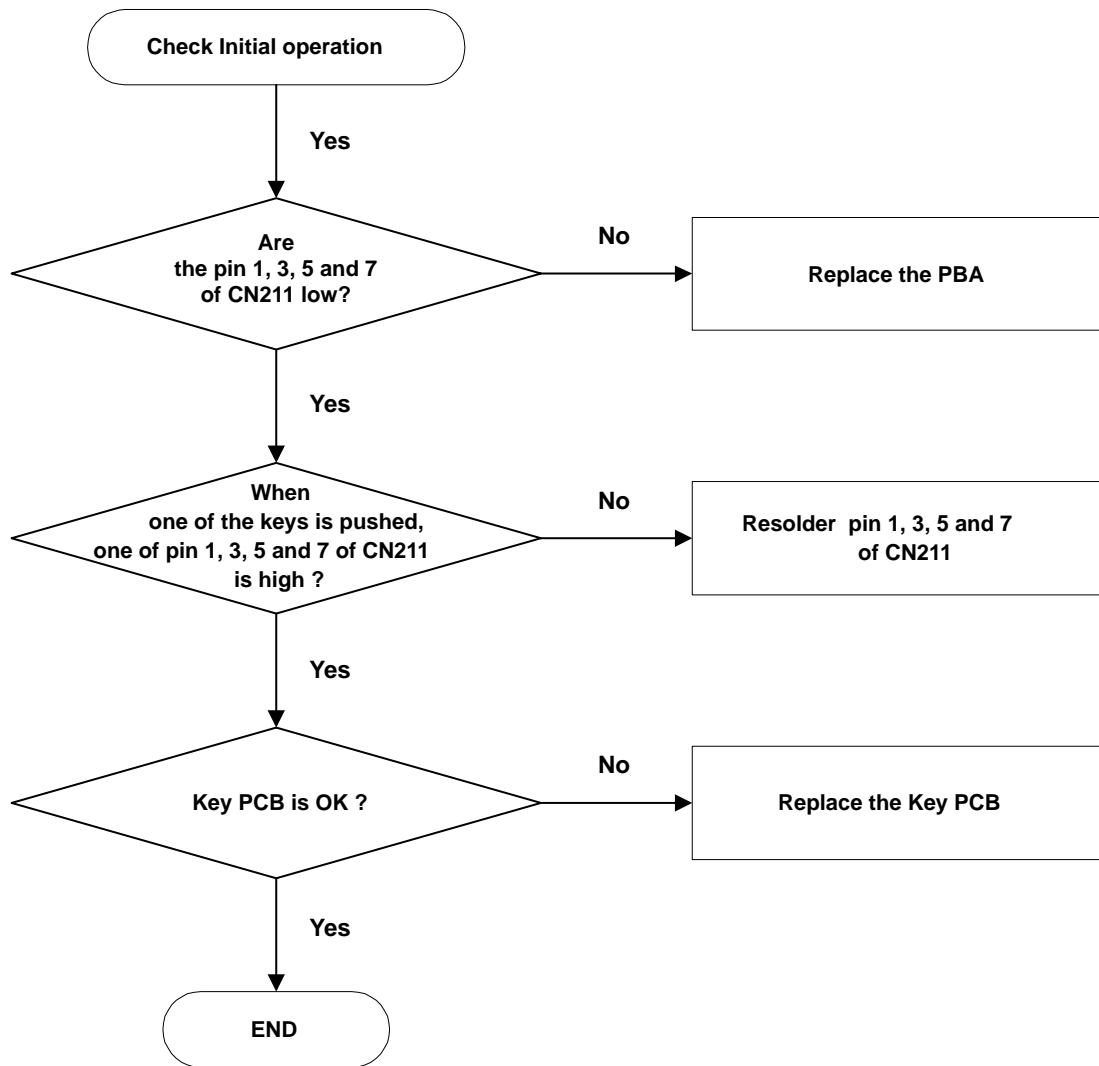


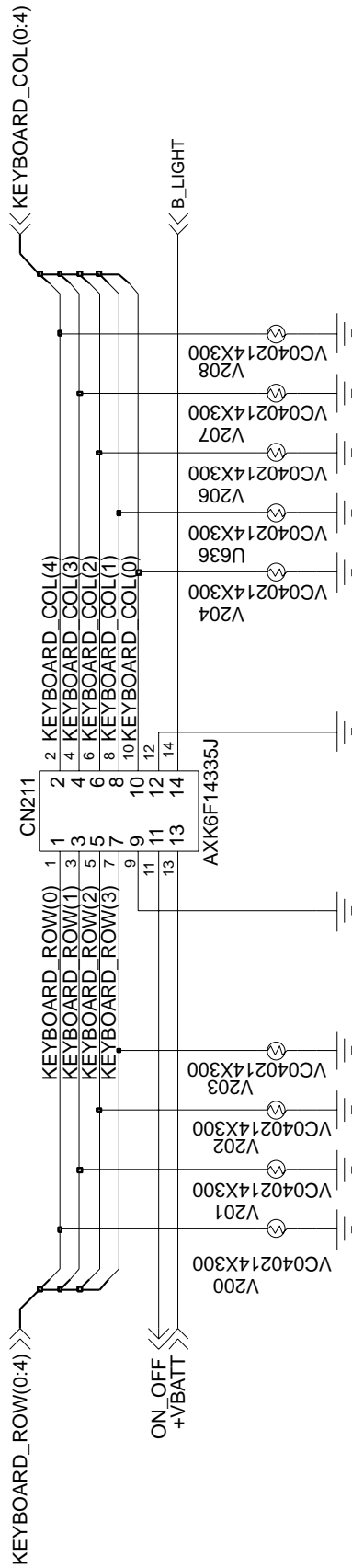


5-6 Speaker Part

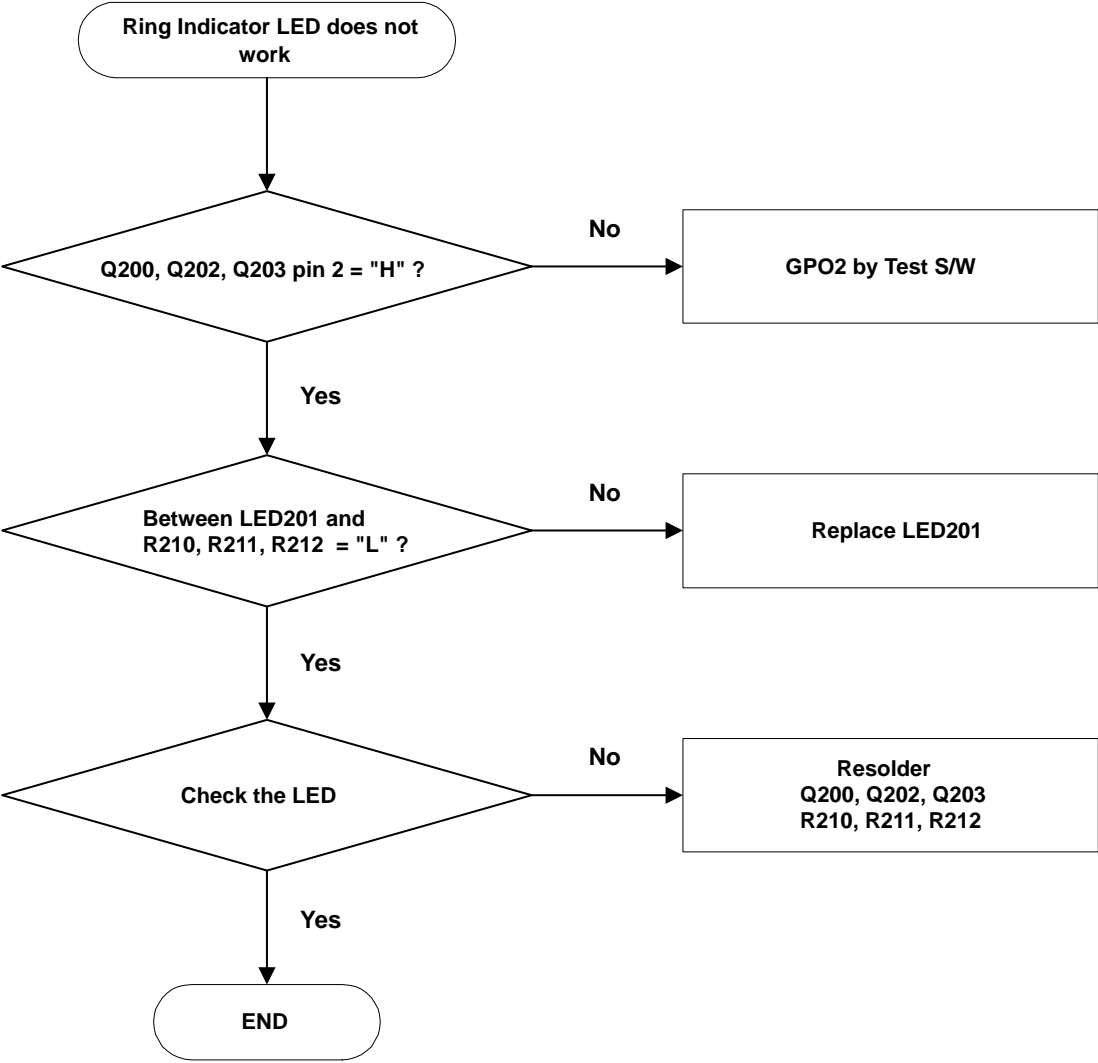


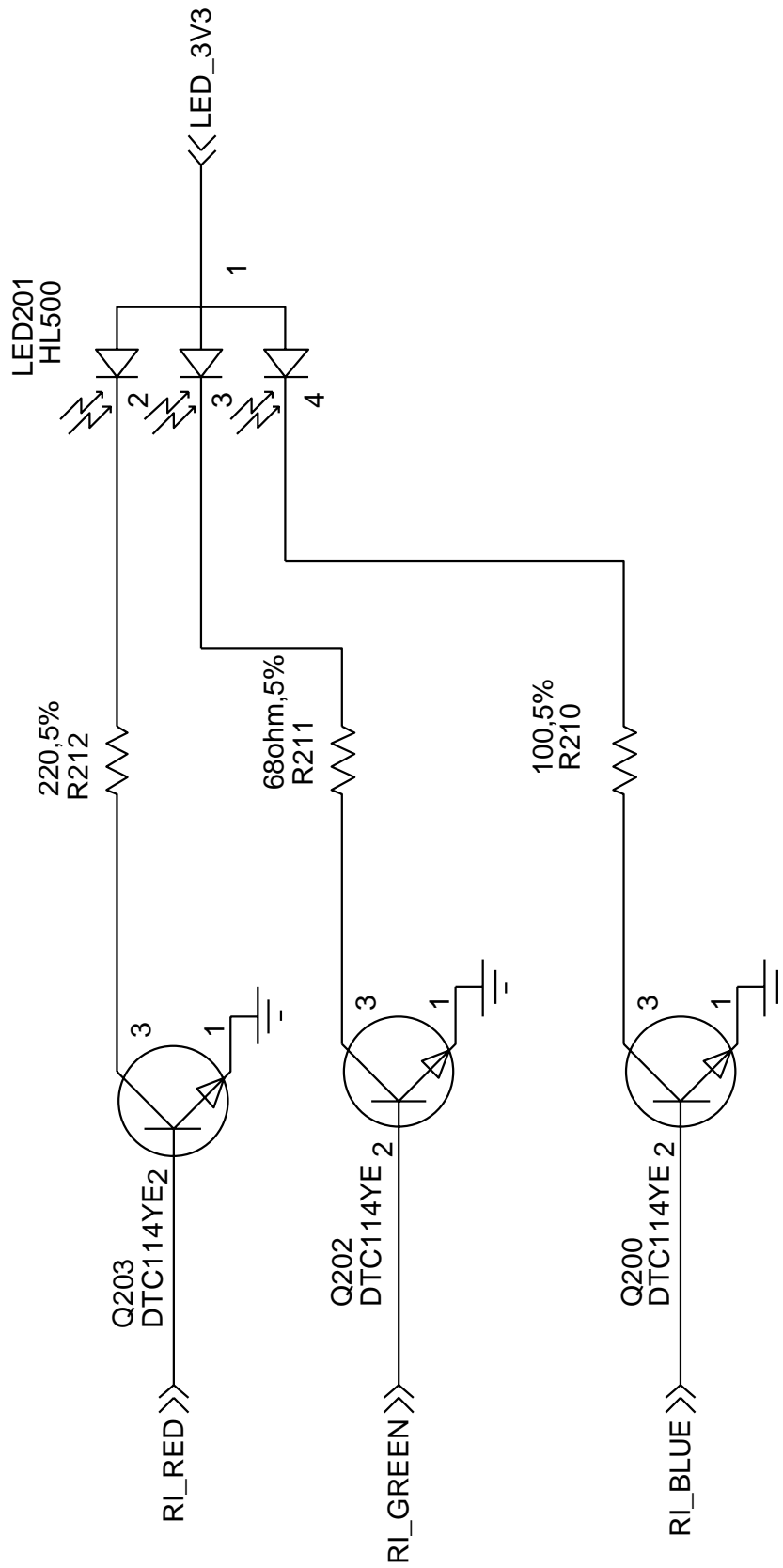
5-7 Key Data Input



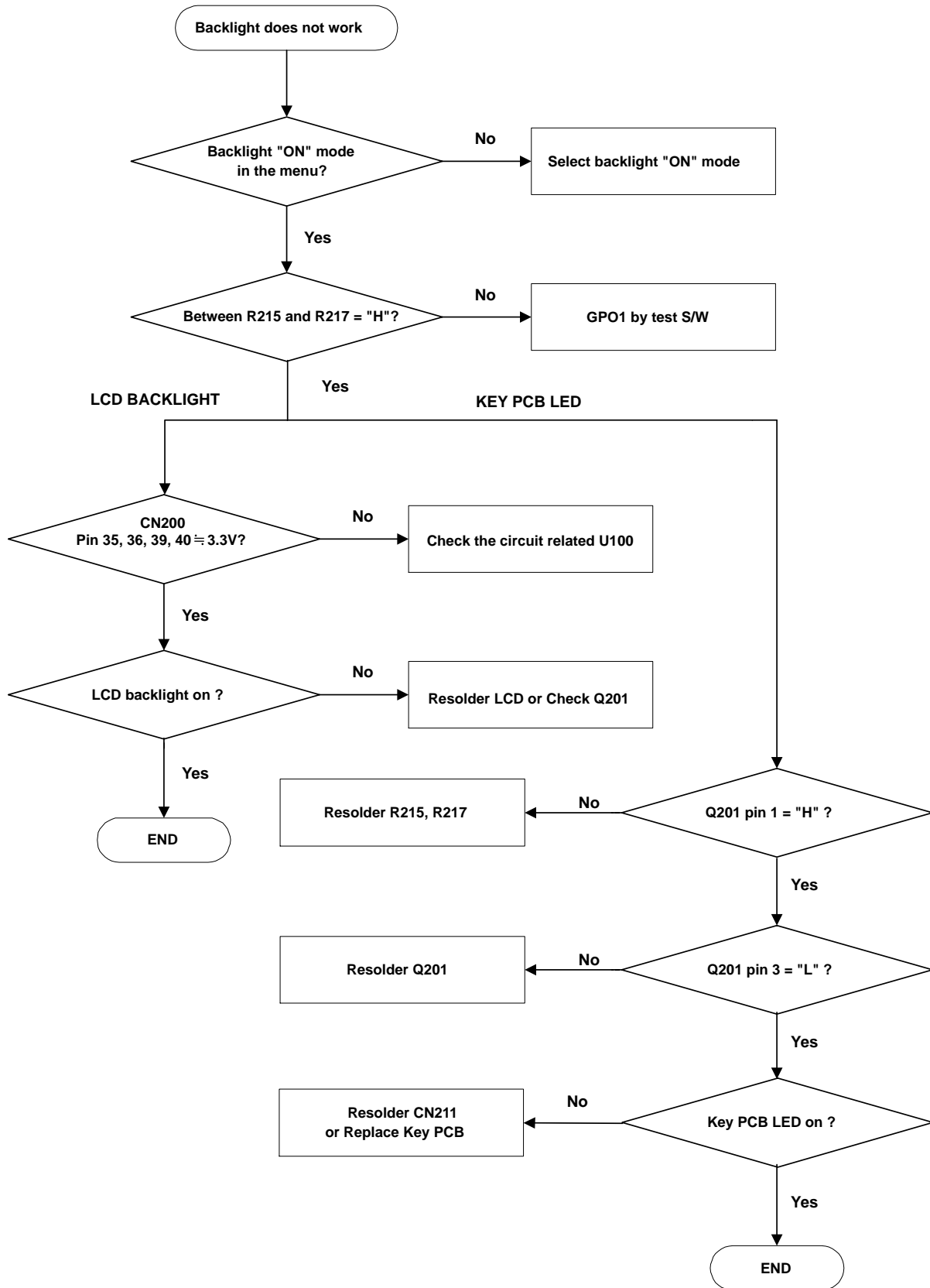


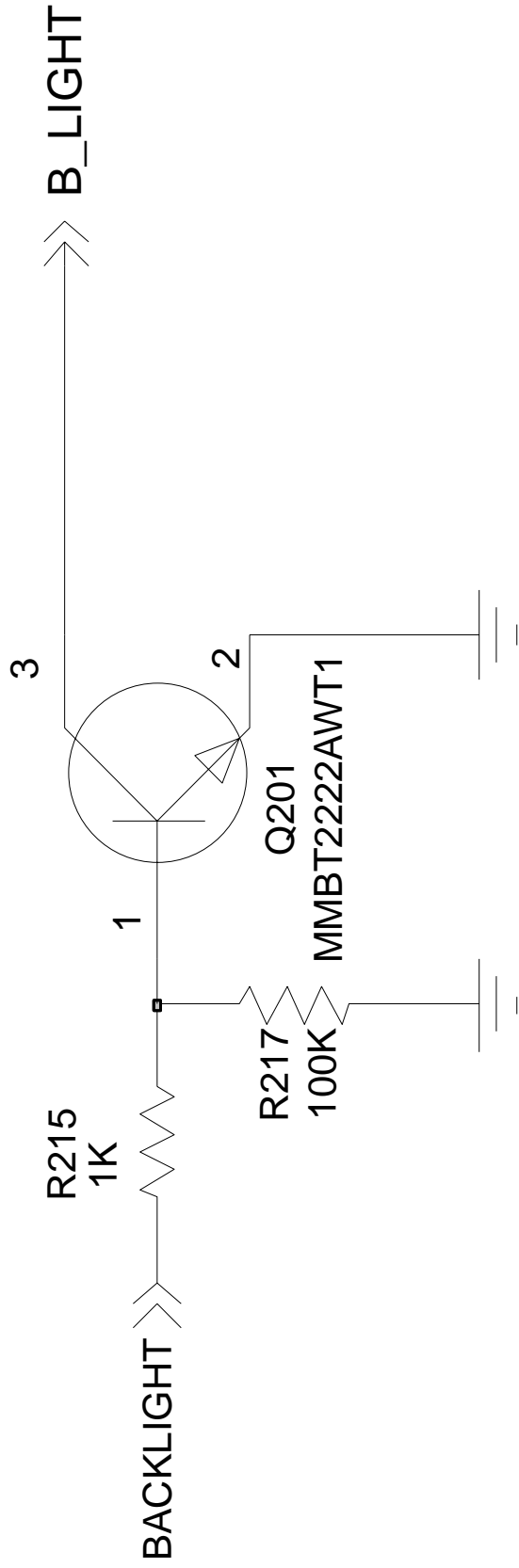
5-8 Ring Indicator



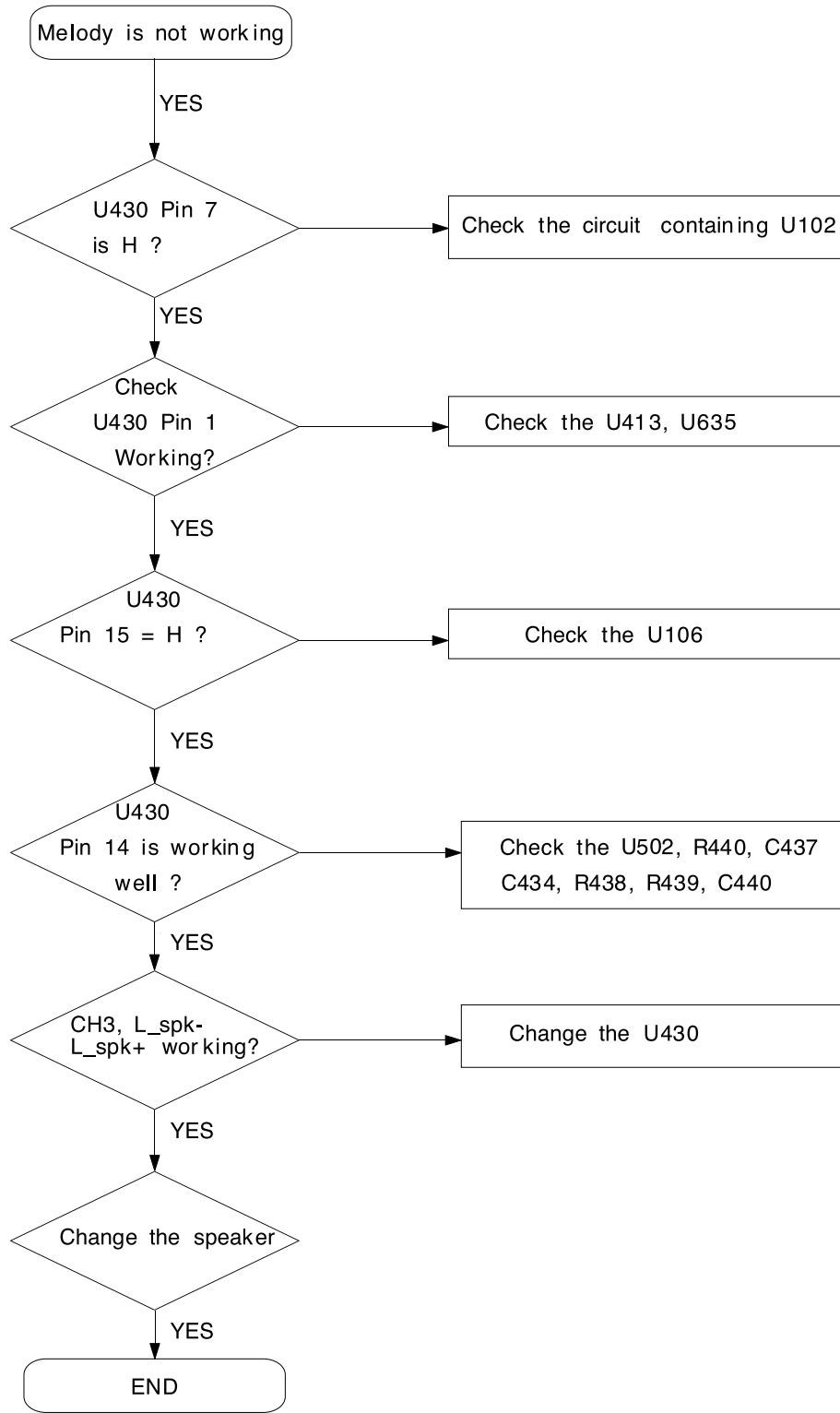


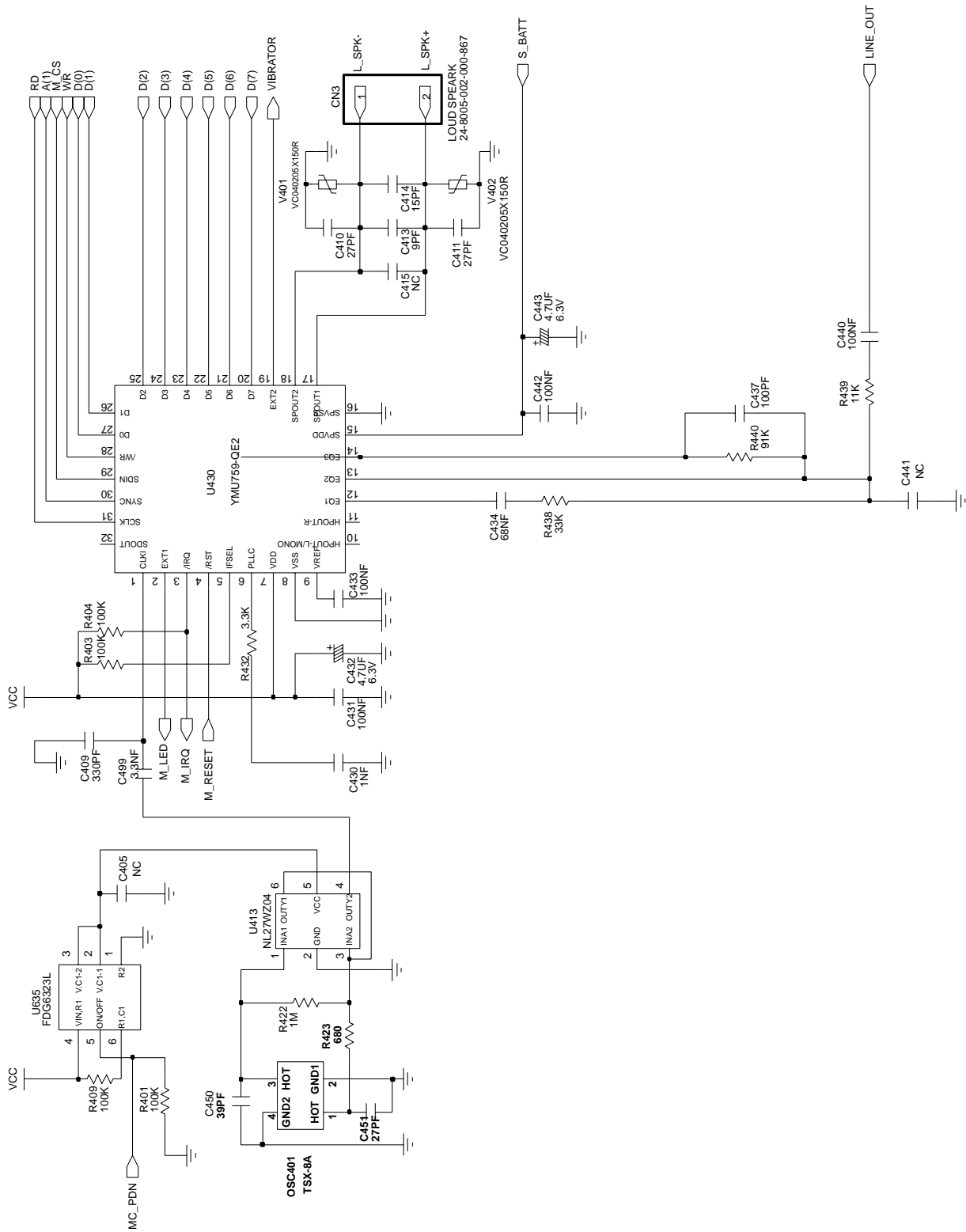
5-9 Back Light



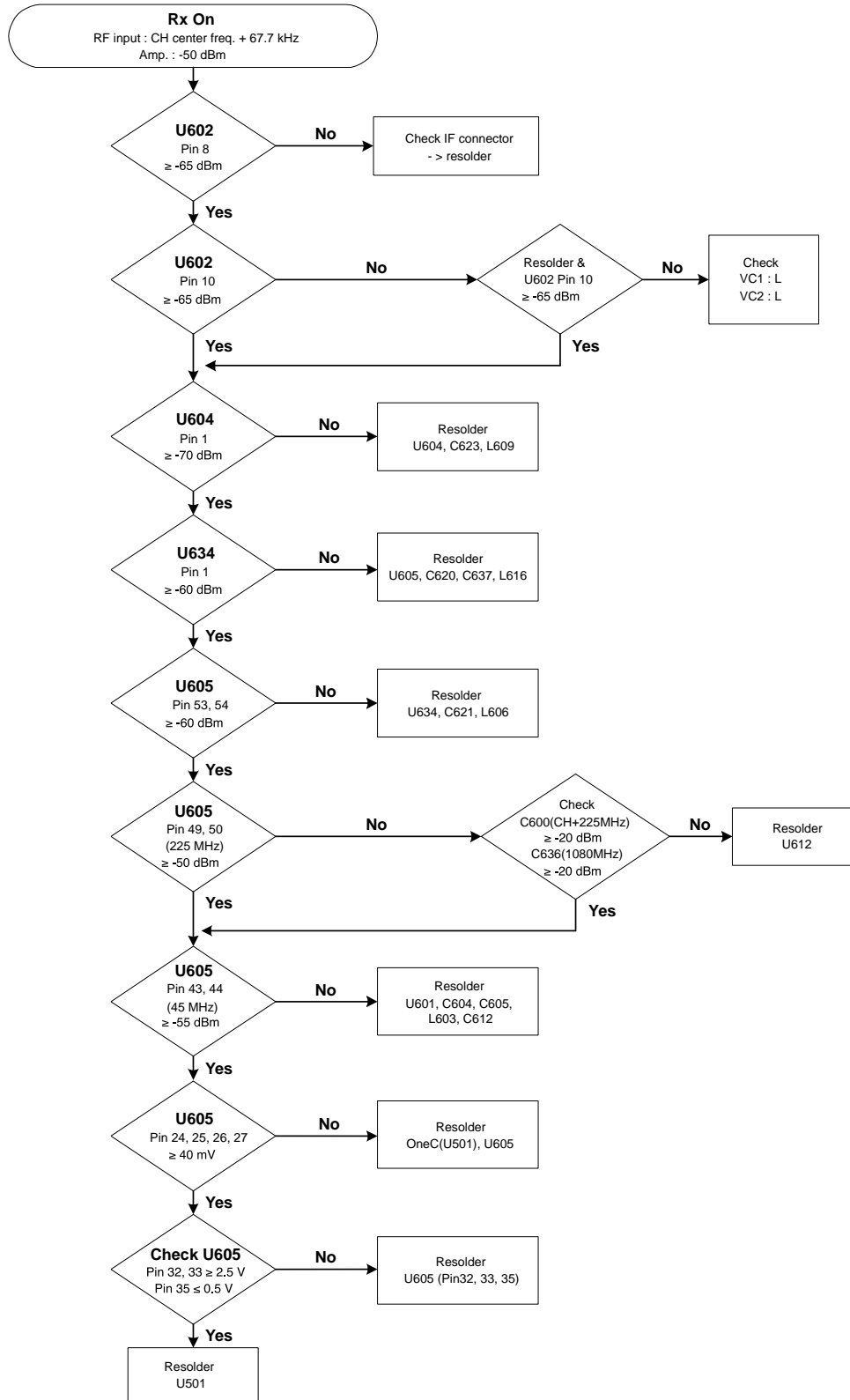


5-10 Melody Part

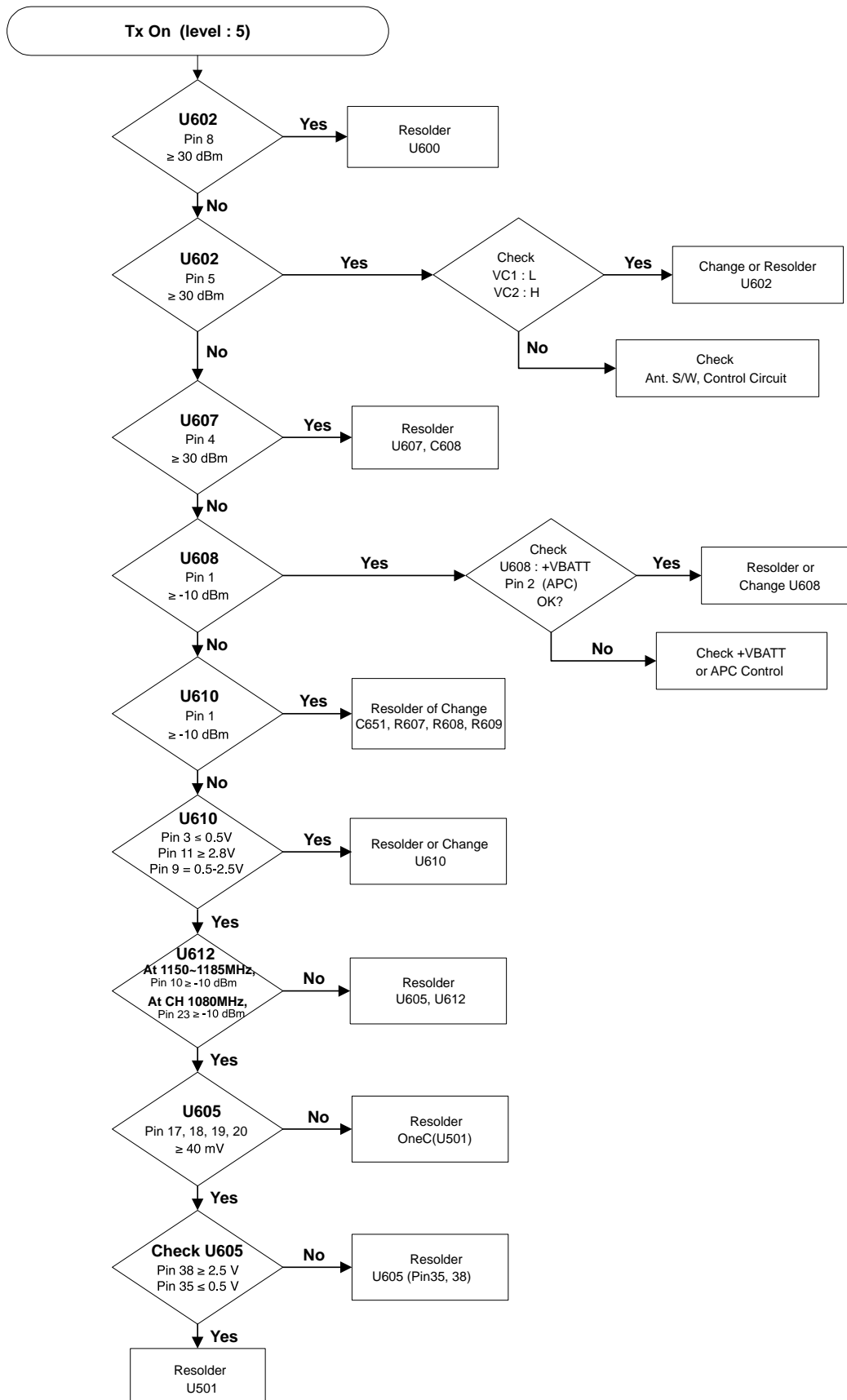




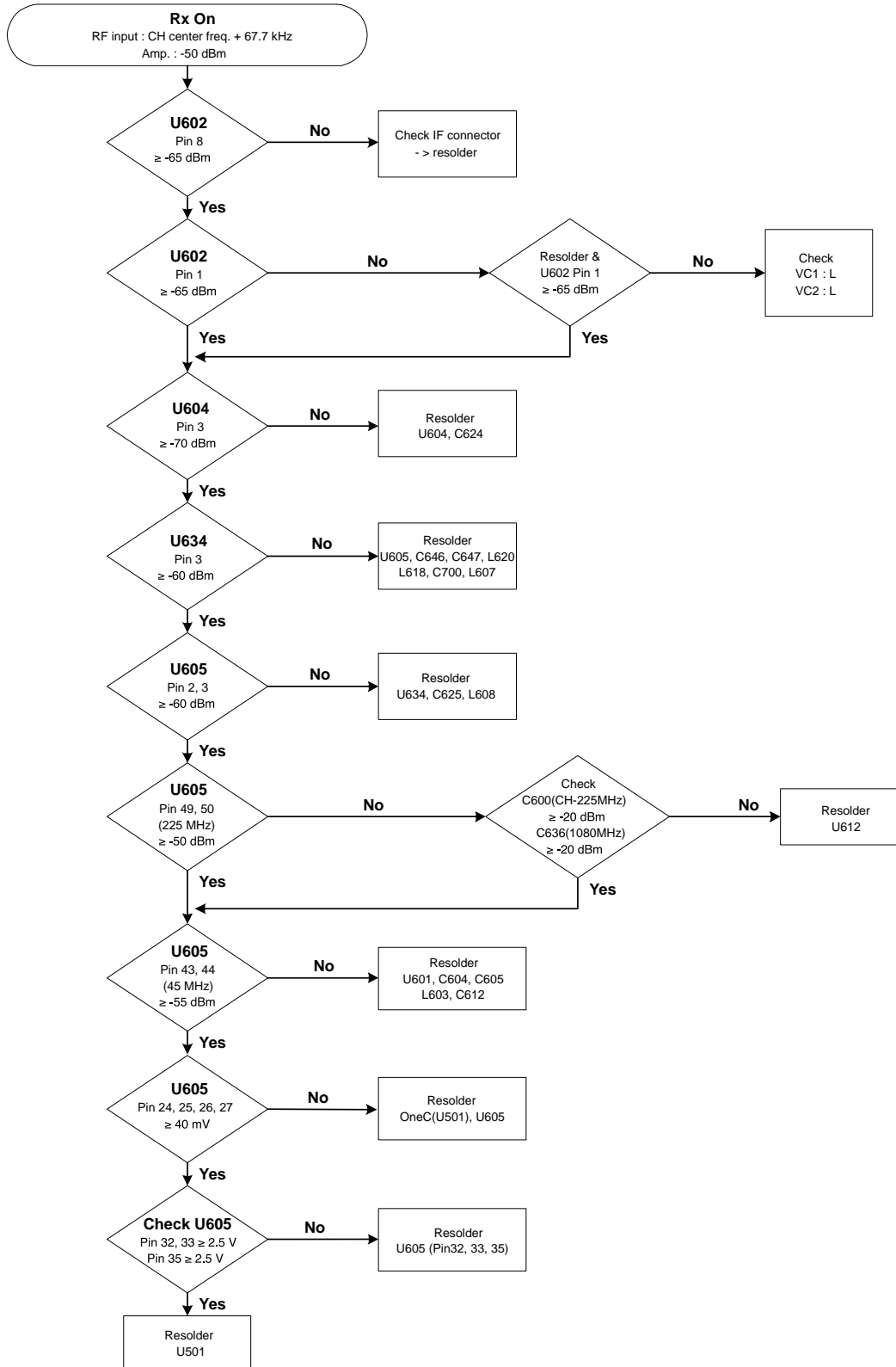
5-11 GSM Receiver



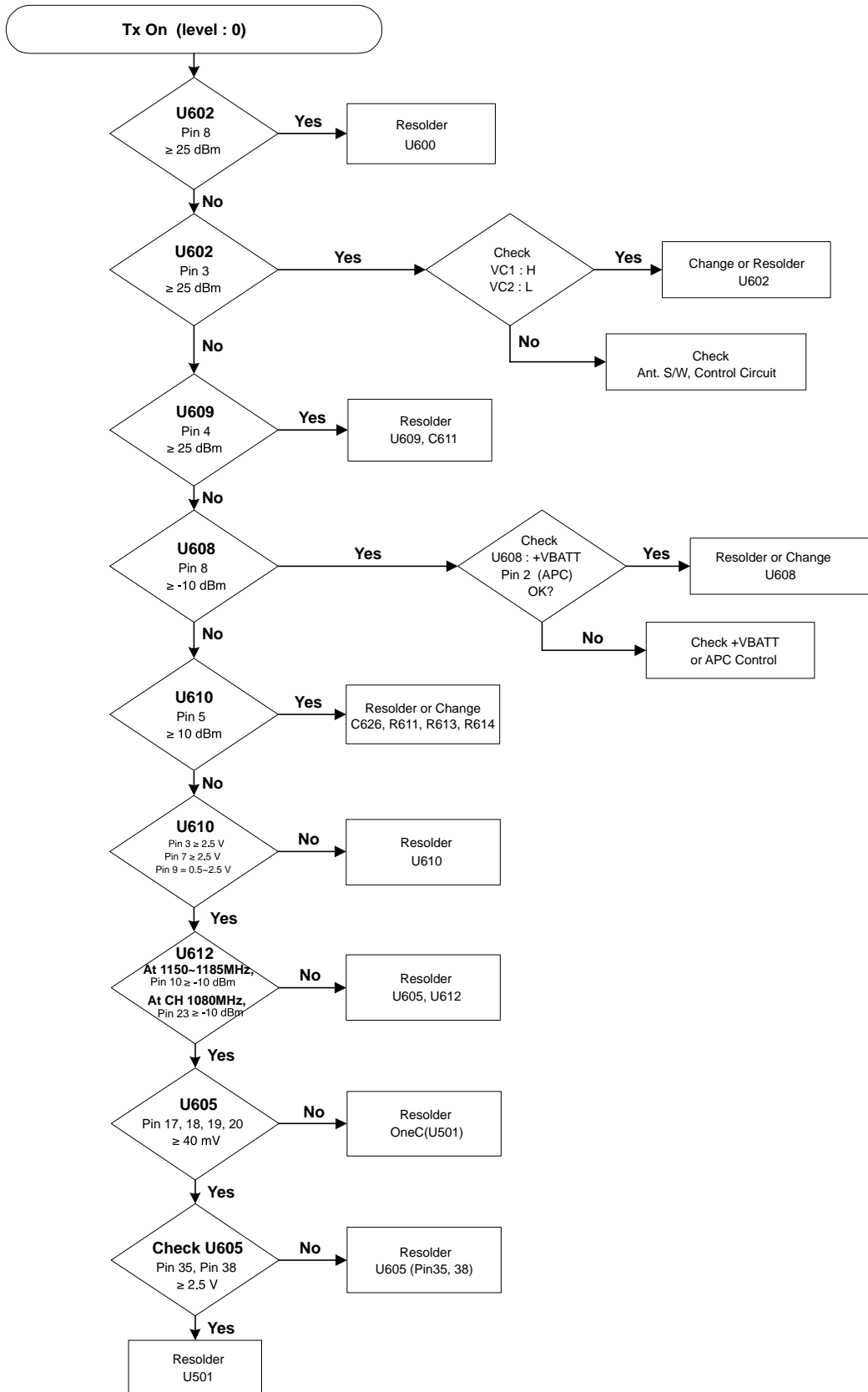
5-12 GSM Transmit

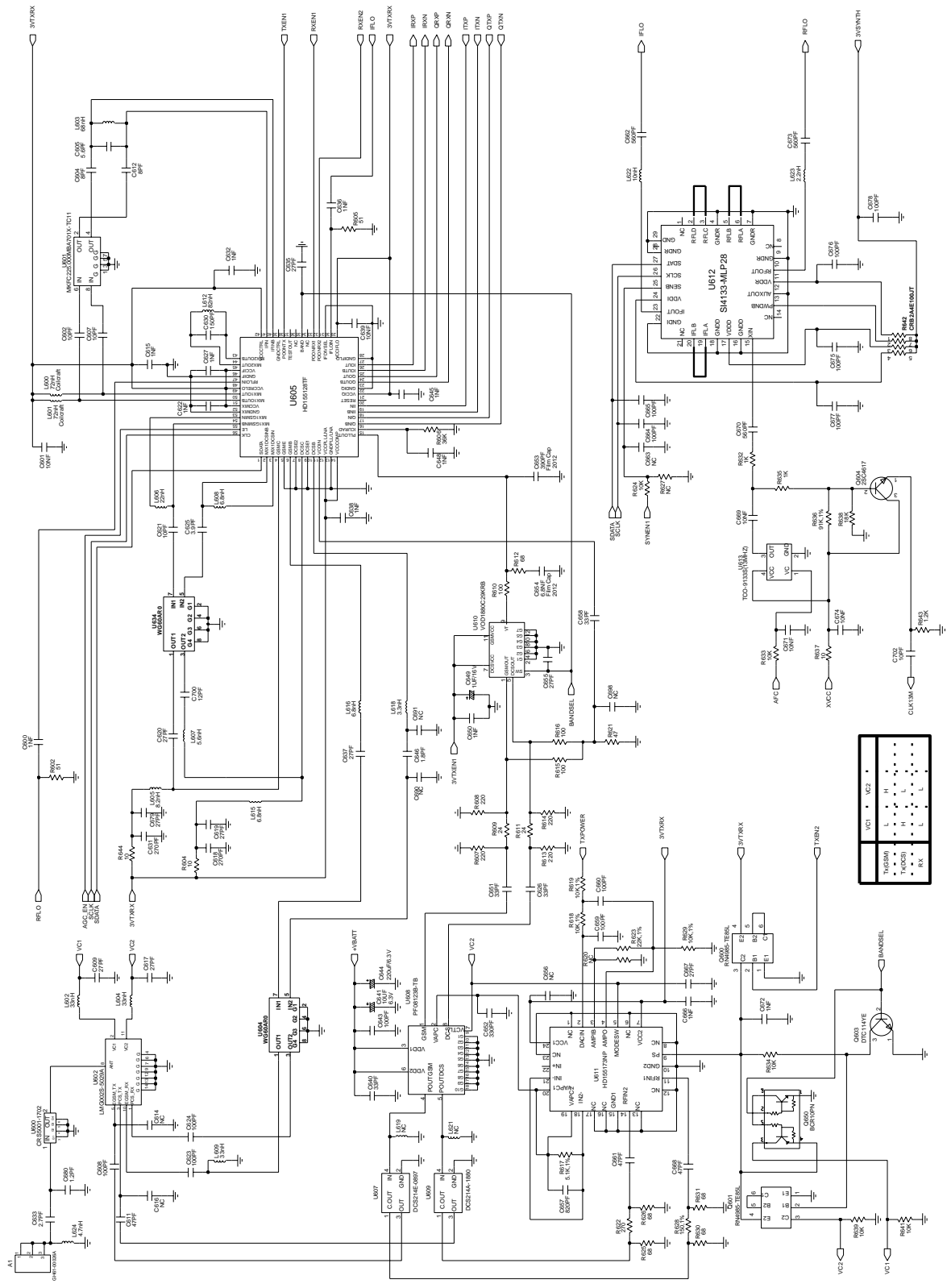


5-13 DCS Receiver



5-14 DCS Transmit





VC1	VC2								
VC3	VC4	VC5	VC6	VC7	VC8	VC9	VC10	VC11	VC12
VC13	VC14	VC15	VC16	VC17	VC18	VC19	VC20	VC21	VC22
VC23	VC24	VC25	VC26	VC27	VC28	VC29	VC30	VC31	VC32
VC33	VC34	VC35	VC36	VC37	VC38	VC39	VC40	VC41	VC42
VC43	VC44	VC45	VC46	VC47	VC48	VC49	VC50	VC51	VC52
VC53	VC54	VC55	VC56	VC57	VC58	VC59	VC60	VC61	VC62
VC63	VC64	VC65	VC66	VC67	VC68	VC69	VC70	VC71	VC72
VC73	VC74	VC75	VC76	VC77	VC78	VC79	VC80	VC81	VC82
VC83	VC84	VC85	VC86	VC87	VC88	VC89	VC90	VC91	VC92
VC93	VC94	VC95	VC96	VC97	VC98	VC99	VC100	VC101	VC102