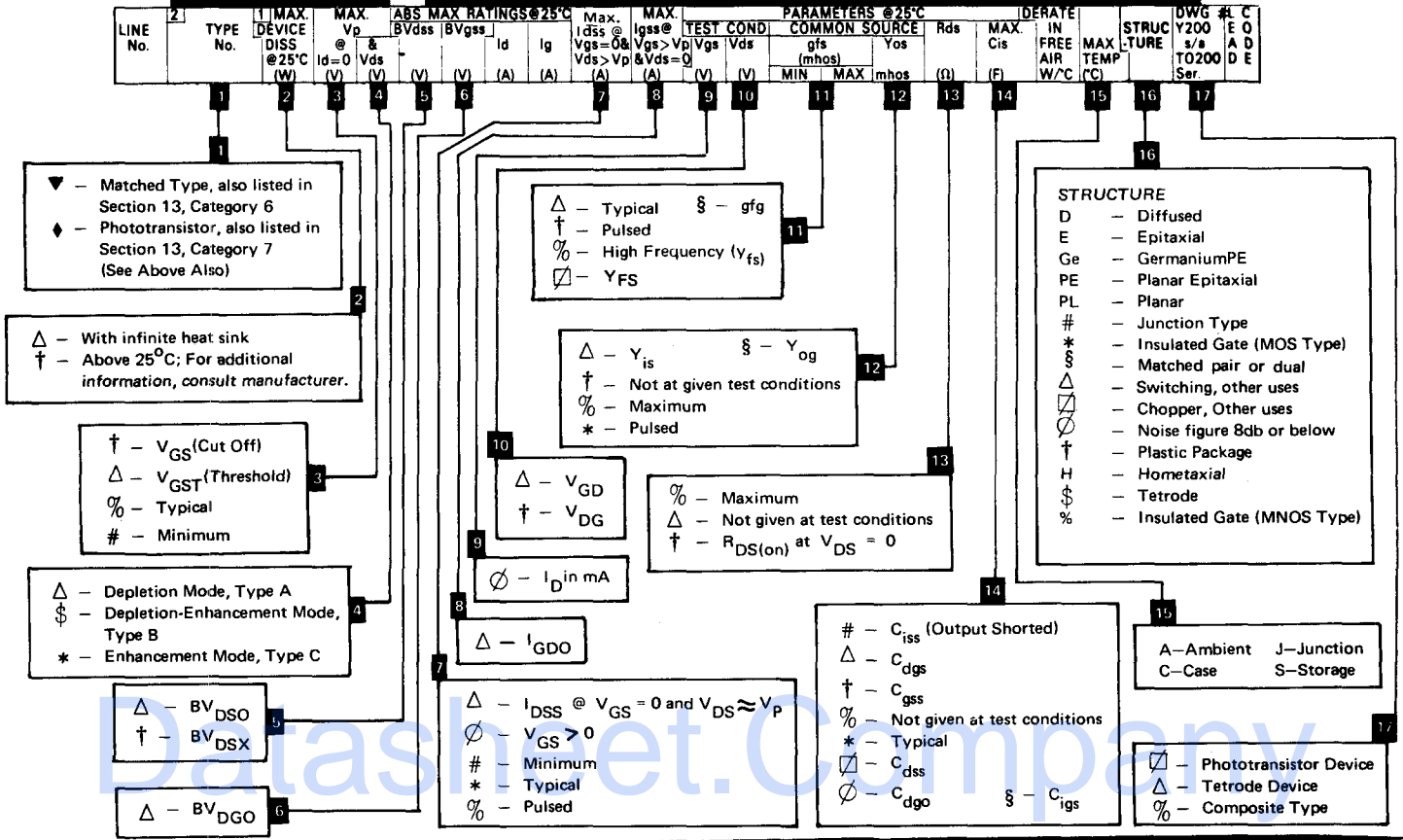
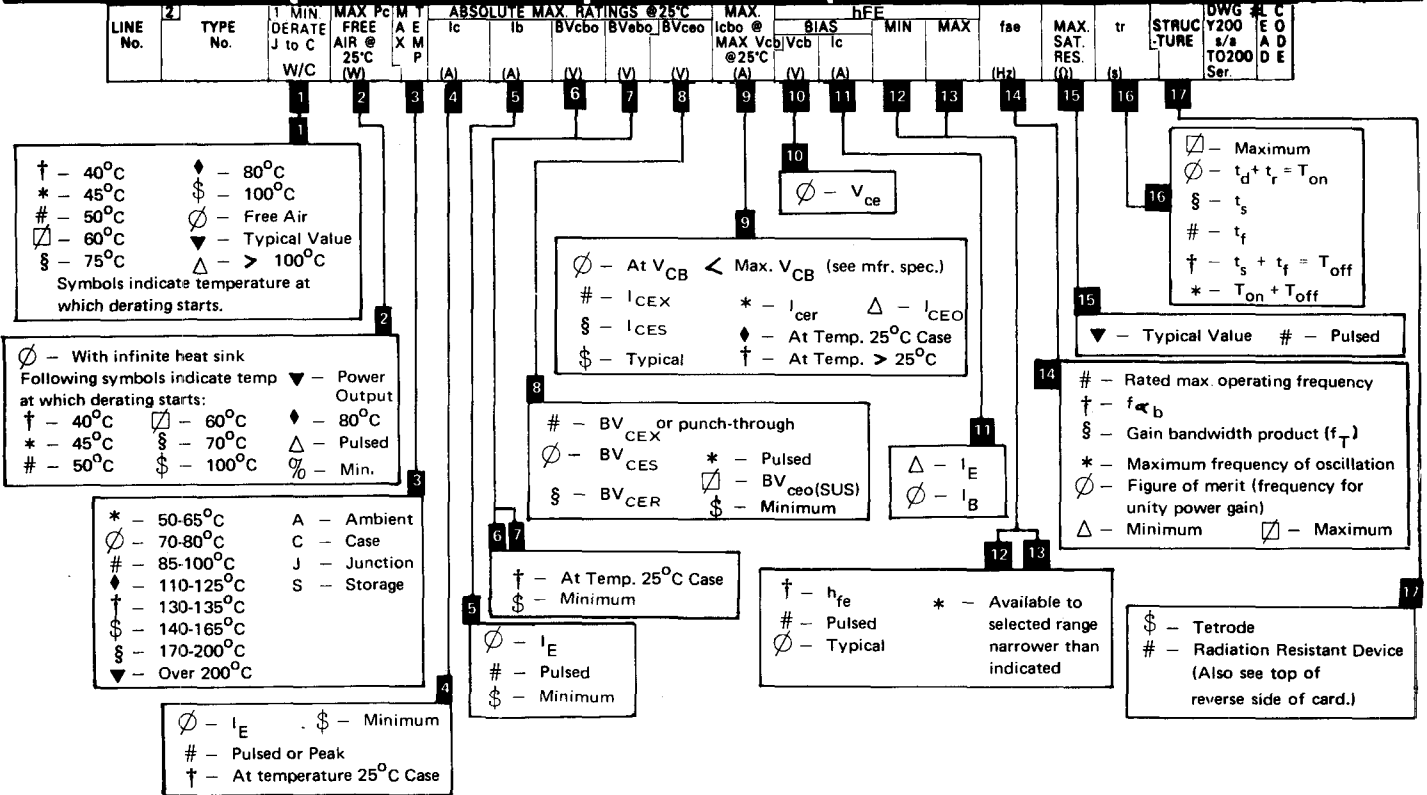


SYMBOLS & CODES EXPLAINED

6. "P" Channel 7. "N" Channel — SILICON FIELD EFFECT TRANSISTORS



8. GERMANIUM PNP 9. GERMANIUM NPN 10. SILICON PNP 11. SILICON NPN — High Power Transistors



11. SILICON NPN - HIGH POWER TRANSISTORS

IN ORDER OF (1) MIN. DERATING FACTOR & (2) TYPE No.

LINE No.	TYPE No.	MIN. DERATE J to C (W/C)	MAX FREE AIR @ 25°C (W)	Pc	M T	ABSOLUTE MAX. RATINGS @ 25°C					MAX. hFE		MIN	MAX	fae (Hz)	MAX. SAT. RES. (Ω)	tr (s)	STRUC-TURE	Y200 s/a TO200 Ser.	DWG #	C O D E	
						Ic (A)	Ib (A)	BVcbo (V)	BVebo (V)	BVceo (V)	Icbo @ MAX 25°C (A)	Vcb (V)										Ic (A)
1	153-241	1.3	200	∅	∅	∅	7.5	3.0	265	25	240	10m#	4.00	1.5	15		866m	3.0u∅	MT58			
2	153-261	1.3	200	∅	∅	∅	7.5	3.0	285	25	260	10m#	4.00	1.5	15		866m	3.0u∅	MT58			
3	153-281	1.3	200	∅	∅	∅	7.5	3.0	305	25	280	10m#	4.00	1.5	15		866m	3.0u∅	MT58			
4	153-301	1.3	200	∅	∅	∅	7.5	3.0	325	25	300	10m#	4.00	1.5	15		866m	3.0u∅	MT58			
5	154-241	1.3	200	∅	∅	∅	7.5	3.0	265	25	240	10m#	4.00	1.5	25		833m	3.0u∅	MT58			
6	154-261	1.3	200	∅	∅	∅	7.5	3.0	285	25	260	10m#	4.00	1.5	25		833m	3.0u∅	MT58			
7	154-281	1.3	200	∅	∅	∅	7.5	3.0	305	25	280	10m#	4.00	1.5	25		833m	3.0u∅	MT58			
8	154-301	1.3	200	∅	∅	∅	7.5	3.0	325	25	300	10m#	4.00	1.5	25		833m	3.0u∅	MT58			
9	DTS1031	1.3	125	∅	∅	∅	∅	5.0	80	5.0	60	250uΔ	1.50	5.0	20	55	4.0M\$Δ	180m	550n	DM	TO3	C∅
10	DTS1041	1.3	125	∅	∅	∅	∅	5.0	80	5.0	60	250uΔ	1.50	5.0	20	120	4.0M\$Δ	150m	550n	DM	TO3	C∅
11	DTS1051	1.3	125	∅	∅	∅	∅	5.0	100	5.0	80	250uΔ	1.50	5.0	20	55	4.0M\$Δ	180m	550n	DM	TO3	C∅
12	DTS1061	1.3	125	∅	∅	∅	∅	5.0	110	5.0	90	250uΔ	1.50	5.0	20	55	4.0M\$Δ	180m	550n	DM	TO3	C∅
13	DTS1071	1.3	125	∅	∅	∅	∅	5.0	120	5.0	100	250uΔ	1.50	5.0	20	55	4.0M\$Δ	180m	550n	DM	TO3	C∅
14	DTS108	1.3	125	∅	∅	∅	∅	5.0	100	5.0	100	250uΔ	1.50	5.0	20	120	4.0M\$Δ	150m	550n	DM	TO3	C∅
15	DTS3704	1.3	∅	∅	∅	∅	∅	2.0	50	200	∅	∅	∅	∅	20	80	115k	1.6		DM	TO41	
16	DTS3704A	1.3	∅	∅	∅	∅	∅	2.0	50	300	∅	∅	∅	∅	20	80	115k	1.6			TO41	
17	DTS3704B	1.3	∅	∅	∅	∅	∅	2.0	50	400	∅	∅	∅	∅	20	80	115k	1.6			TO41	
18	DTS3705	1.3	∅	∅	∅	∅	∅	3.5	200	5.0	200	∅	∅	∅	25	75	110k	.80			TO3	
19	DTS3705A	1.3	∅	∅	∅	∅	∅	3.5	300	5.0	300	∅	∅	∅	25	75	110k	.80			TO3	
20	DTS3705B	1.3	∅	∅	∅	∅	∅	3.5	400	5.0	400	∅	∅	∅	25	75	110k	.80			TO3	
21	SDT2101	1.3	∅	∅	∅	∅	∅	150	10	5.0	5.0	∅	∅	∅	40	∅	∅	∅			MT41	
22	SDT2110	1.3	∅	∅	∅	∅	∅	150	10	5.0	5.0	∅	∅	∅	40	∅	∅	∅			MT41a	
23	SDT2111	1.3	∅	∅	∅	∅	∅	175	10	5.0	5.0	∅	∅	∅	40	∅	∅	∅			MT41a	
24	SDT2112	1.3	∅	∅	∅	∅	∅	200	10	5.0	5.0	∅	∅	∅	40	∅	∅	∅			MT41a	
25	SDT2150	1.3	∅	∅	∅	∅	∅	150	10	5.0	5.0	∅	∅	∅	40	∅	∅	∅			R121	
26	SDT2151	1.3	∅	∅	∅	∅	∅	175	10	5.0	5.0	∅	∅	∅	40	∅	∅	∅			R121	
27	SDT2152	1.3	∅	∅	∅	∅	∅	200	10	5.0	5.0	∅	∅	∅	40	∅	∅	∅			R121	
28	2N1016B/M	1.4	150	∅	∅	∅	7.5	5.0	100	25	100	1.0m	4.00	5.0	10	35	30k	500m	6.0u∅	FΔ	MT1	
29	2N1016C/M	1.4	150	∅	∅	∅	7.5	5.0	150	25	150	1.0m	4.00	5.0	10	35	30k	500m	6.0u∅	FΔ	MT1	
30	2N25841	1.4	150	∅	∅	∅	5.0	1.0	600	5.0	600	5.0m#	5.00	5.0	10	40	30kΔ	140m	6.0u∅		TO36	C∅
31	2N25851	1.4	150	∅	∅	∅	5.0	10	600	5.0	600	5.0m#	5.00	5.0	25	65	30kΔ	1.0	6.0u∅		TO36	C∅
32	151-241	1.4	100	∅	∅	∅	6.0	3.0	265	25	240	10m#	4.00	1.5	22	∅	870m	7.0u∅	F	MT1	A	
33	151-261	1.4	100	∅	∅	∅	6.0	3.0	285	25	260	10m#	4.00	1.5	22	∅	870m	7.0u∅	F	MT1	A	
34	151-281	1.4	100	∅	∅	∅	6.0	3.0	305	25	280	10m#	4.00	1.5	22	∅	870m	7.0u∅	F	MT1	A	
35	152-241	1.4	100	∅	∅	∅	6.0	3.0	265	25	240	10m#	4.00	1.5	37	∅	830m	7.0u∅	F	MT1	A	
36	152-261	1.4	100	∅	∅	∅	6.0	3.0	285	25	260	10m#	4.00	1.5	37	∅	830m	7.0u∅	F	MT1	A	
37	152-281	1.4	100	∅	∅	∅	6.0	3.0	305	25	280	10m#	4.00	1.5	37	∅	830m	7.0u∅	F	MT1	A	
38	1776-04401	1.4	150	∅	∅	∅	7.5	#↑	15	40	7.01	40	∅	∅	15	#	20M\$Δ	25m	500n∅	E	TO63	A
39	1776-04601	1.4	150	∅	∅	∅	7.5	#↑	15	40	7.01	40	∅	∅	15	#	20M\$Δ	25m	600n∅	E	TO63	A
40	1776-18601	1.4	150	∅	∅	∅	7.5	#	15	180	7.0	180	∅	∅	15	#	20M\$Δ	25m	600n∅	E	TO63	A
41	AMF227	1.4	150	∅	∅	∅	7.5	#	15	50	30	∅	∅	∅	10	∅	20k	750m		ME	MT1	
42	AMF227A	1.4	150	∅	∅	∅	7.5	#	15	50	60	∅	∅	∅	10	∅	20k	750m		ME	MT1	
43	AMF227B	1.4	150	∅	∅	∅	7.5	#	15	50	100	∅	∅	∅	10	∅	20k	750m		ME	MT1	
44	AMF227C	1.4	150	∅	∅	∅	7.5	#	15	50	150	∅	∅	∅	10	∅	20k	750m		ME	MT1	
45	AMF228	1.4	150	∅	∅	∅	7.5	#	15	50	30	∅	∅	∅	10	∅	20k	500m		ME	MT1	
46	AMF228A	1.4	150	∅	∅	∅	7.5	#	15	50	60	∅	∅	∅	10	∅	20k	500m		ME	MT1	
47	AMF228B	1.4	150	∅	∅	∅	7.5	#	15	50	100	∅	∅	∅	10	∅	20k	500m		ME	MT1	
48	AMF228C	1.4	150	∅	∅	∅	7.5	#	15	50	150	∅	∅	∅	10	∅	20k	500m		ME	MT1	
49	AMF229	1.4	150	∅	∅	∅	4.0	#	30	50	30	∅	∅	∅	10	∅	20k	1.0		ME	MT1	
50	AMF229A	1.4	150	∅	∅	∅	4.0	#	60	50	60	∅	∅	∅	10	∅	20k	1.0		ME	MT1	
51	AMF229B	1.4	150	∅	∅	∅	4.0	#	100	50	100	∅	∅	∅	10	∅	20k	1.0		ME	MT1	
52	AMF229C	1.4	150	∅	∅	∅	4.0	#	150	50	150	∅	∅	∅	10	∅	20k	1.0		ME	MT1	
53	BSC1015	1.4	150	∅	∅	∅	7.5	#	5.0	10	30	#	∅	∅	10	∅	20k	750m		DM	MT1	
54	BSC1015A	1.4	150	∅	∅	∅	7.5	#	5.0	10	60	#	∅	∅	10	∅	20k	750m		DM	MT1	
55	BSC1015B	1.4	150	∅	∅	∅	7.5	#	5.0	10	100	#	∅	∅	10	∅	20k	750m		DM	MT1	
56	BSC1016	1.4	150	∅	∅	∅	7.5	#	5.0	10	30	#	∅	∅	10	∅	20k	500m		DM	MT1	
57	BSC1016A	1.4	150	∅	∅	∅	7.5	#	5.0	10	60	#	∅	∅	10	∅	20k	500m		DM	MT1	
58	BSC1016B	1.4	150	∅	∅	∅	7.5	#	5.0	10	100	#	∅	∅	10	∅	20k	500m		DM	MT1	
59	SDT2205	1.4	121	∅	∅	∅	5.0	10	10	5.0	5.0	∅	∅	∅	40	#	120	∅	450k	A	MT23	
60	SDT2305	1.4	121	∅	∅	∅	5.0	10	10	5.0	5.0	∅	∅	∅	40	#	120	∅	450k	A	TO36	C∅
61	SEC1477	1.4	∅	∅	∅	∅	∅	∅	50	9.0	50	∅	∅	∅	2.0	∅	∅	∅			MT1	
62	SEC1478	1.4	∅	∅	∅	∅	∅	∅	100	9.0	100	∅	∅	∅	2.0	∅	∅	∅			MT1	
63	SEC1479	1.4	∅	∅	∅	∅	∅	∅	50	9.0	50	∅	∅	∅	2.0	∅	∅	∅			MT1	
64	SEC1480	1.4	∅	∅	∅	∅	∅	∅	100	9.0	100	∅	∅	∅	2.0	∅	∅	∅			MT1	
65	STC1015	1.4	150	∅	∅	∅	7.5	#	30	10	30	∅	∅	∅	10	∅	2.5Mt	750m	900n	D	MT1	
66	STC1015A	1.4	150	∅	∅	∅	7.5	#	60	10	60	∅	∅	∅	10	∅	2.5Mt	750m	900n	D	MT1	
67	STC1015B	1.4	150	∅	∅	∅	7.5	#	100	10	100	∅	∅	∅	10	∅	2.5Mt	750m	900n	D	MT1	
68	STC1015C	1.4	150	∅	∅	∅	7.5	#	150	10	150	∅	∅	∅	10	∅	2.5Mt	750m	900n	D	MT1	
69	STC1015D	1.4	150	∅	∅	∅	7.5	#	200	10	200	∅	∅	∅	10	∅	2.5Mt	750m	900n	D	MT1	