



# DUAL BAND Mobile Cellular Phone SGH-N600

# SERVICE Manual

Datasheet Company

DUAL BAND Mobile Cellular Phone

CONTENTS



1. Exploded Views and Parts List
2. PCB Diagrams
3. Electrical Parts List
4. Block Diagrams
5. Flow chart of trouble shooting



---

## **1. Exploded Views and Parts List**

- 1-1 Main
- 1-2 Main Parts List
- 1-3 Travel Adapter
- 1-4 Travel Adapter Parts List
- 1-5 Battery Charger
- 1-6 Test Jig
  - 1-6-1 Test Jig
- 1-7 normal EAR Microphone
- 1-8 Data Kit

## **2. PCB Diagrams**

- 2-1 Main Top
- 2-2 Main Bottom

## **3. Electrical Parts List**

- 3-1 Main Parts List Top
- 3-2 Main Parts List Bottom

## **4. Block Diagrams**

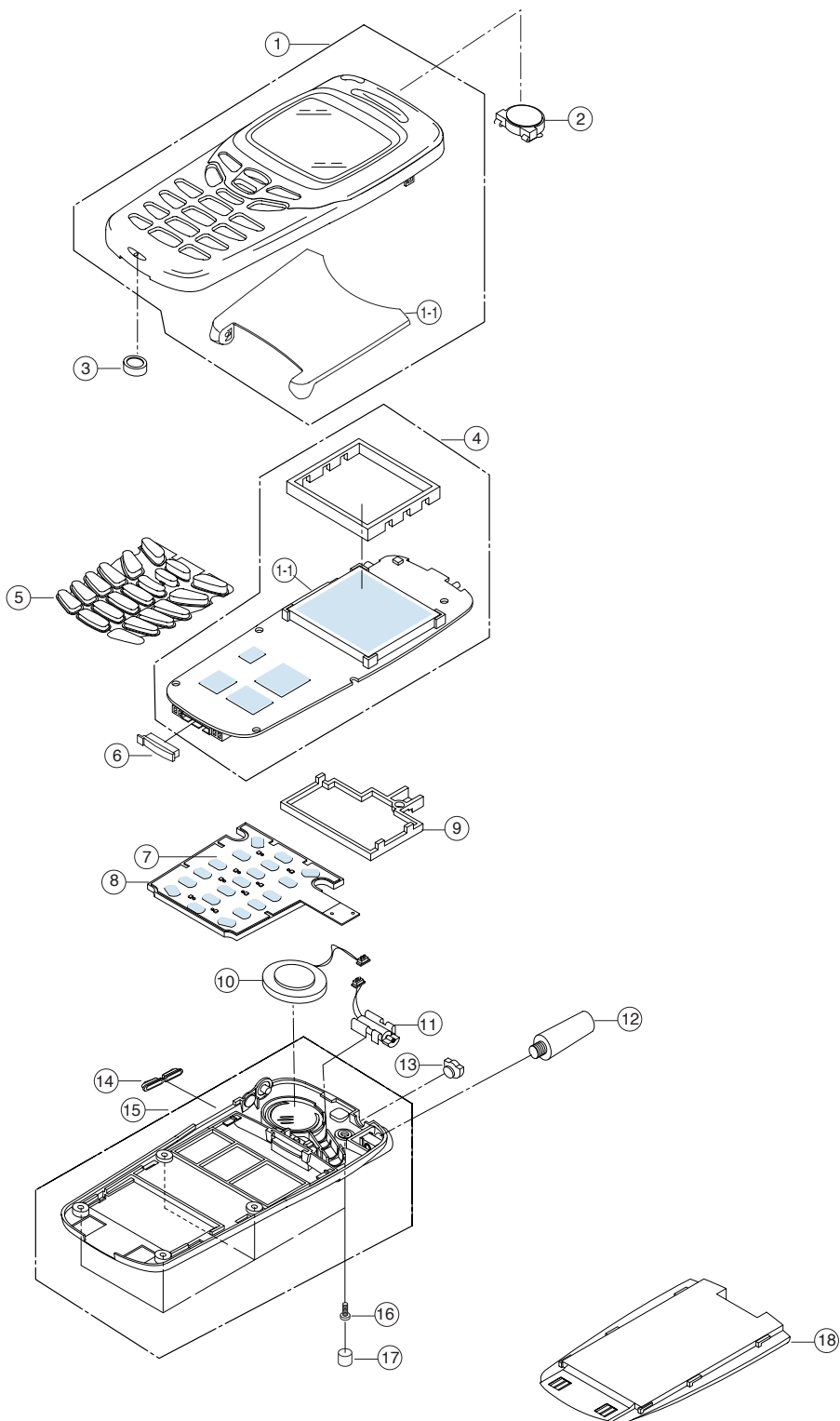
- 4-1 Main Base Band
- 4-2 Main RF
  - 4-2-1 RF Tx Part
  - 4-2-2 RF Rx Part

## **5. Flow chart of trouble shooting**

- 5-1 Power ON
  - 5-2 Initial
  - 5-3 Charging Part
  - 5-4 Sim Part
  - 5-5 Microphone Part
  - 5-6 Speaker Part
  - 5-7 Key Data Input
  - 5-8 Alert tone
  - 5-9 Ring Indicator
  - 5-10 Back Light
  - 5-11 GSM Receiver
  - 5-12 GSM Transmit
  - 5-13 DCS Receiver
  - 5-14 DCS Transmit
-

# 1. SGH-N600 Exploded Views and Parts List

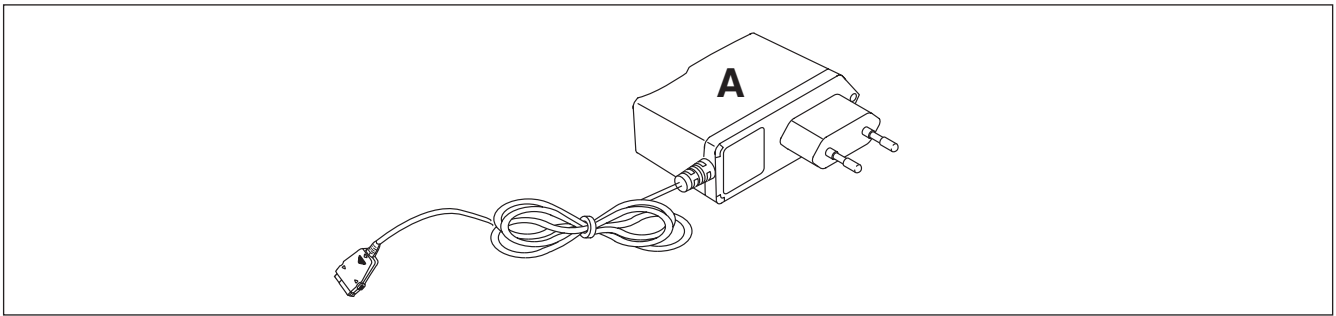
## 1-1 Main



## 1-2 Main Parts List

Location No.		Description	SEC CODE	Remark
1	1-1	FRONT COVER ASS'Y	GH75-01722A	
		FLIP COVER	GH75-01721A	
2		SPEAKER	3001-001253	
3		MIC ASS'Y	GH59-00240B	
4	4-1	MAIN PBA	GH92-01280A	
		LCD	GH07-00131A	
5		KEY PAD	GH75-01705A	
6		COVER CONNECTOR	GH73-01079B	
7		KEY PCB	GH59-00326A	
8		SHIELD COVER	GH72-03206B	
9		REAR SHIELD COVER	GH71-00586A	
10		SPEAKER	3001-001199	
11		MOTOR	GH31-00033A	
12		ANTENNA	GH42-00137A	
13		MOBILE CAP	GH73-00892B	
14		VOL KEY	GH75-01490A	
15		REAR COVER ASS'Y	GH75-01626A	
16		SCREW	6001-000883	
17		SCREW CAP	GH73-00891B	
18		BATTERY	GH43-00435B	

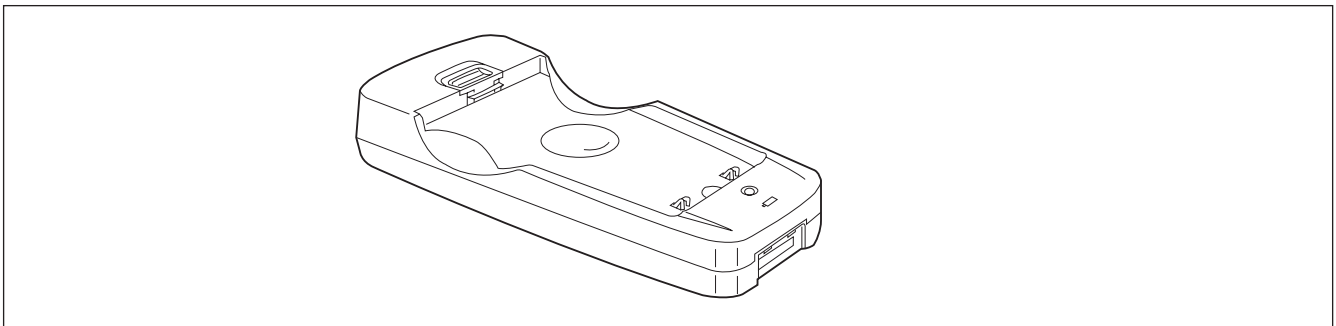
### 1-3 Travel Adapter



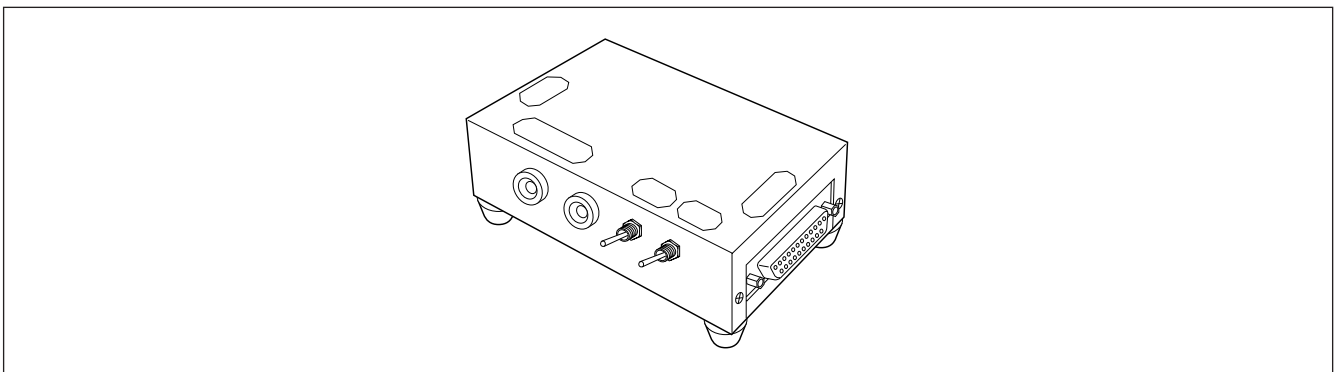
### 1-4 Travel Adapter Parts List

TYPE	SEC CODE	REMARK
A	GH44-00184A	EUROPE

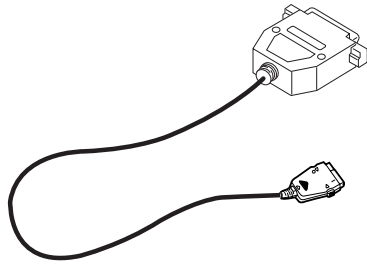
### 1-5 Battery Charger



### 1-6 Test Jig

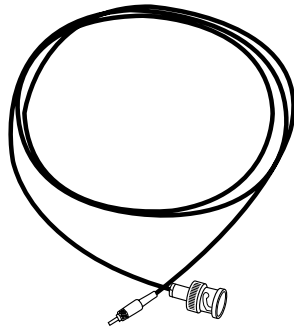


TEST JIG	GH80-10508A
----------	-------------



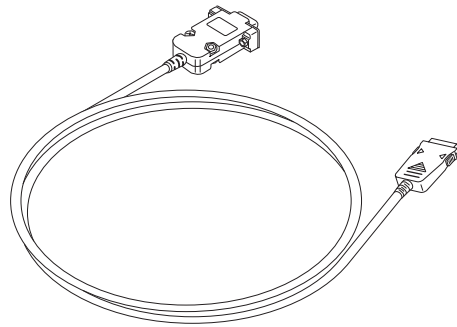
TEST JIG CABLE

GH39-00079A



RF JIG CABLE

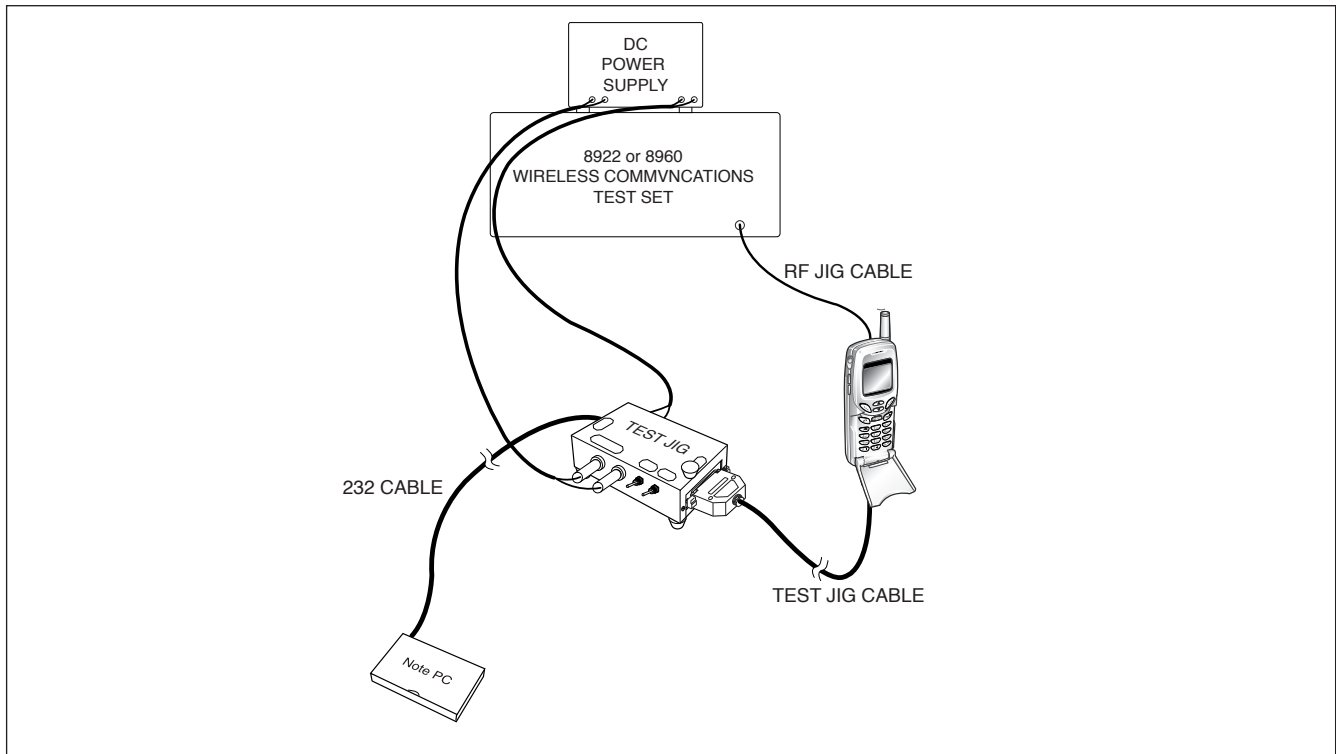
GH39-00094A



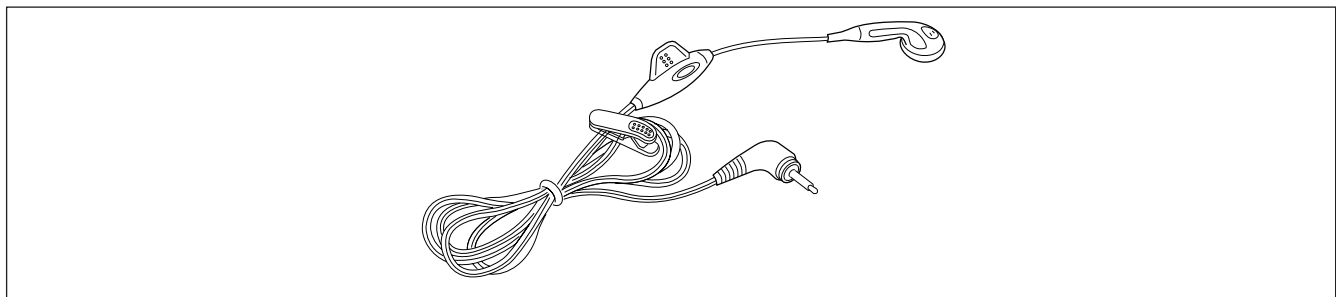
DM CABLE

GH39-00080A

## 1-6-1 Test Jig



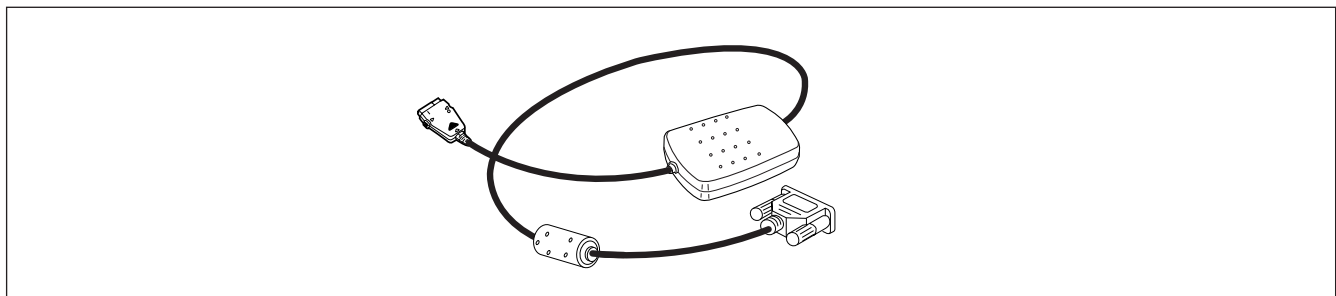
## 1-7 Normal EAR Microphone



Wearable EAR Microphone

GH59-00330A

## 1-8 Data Kit



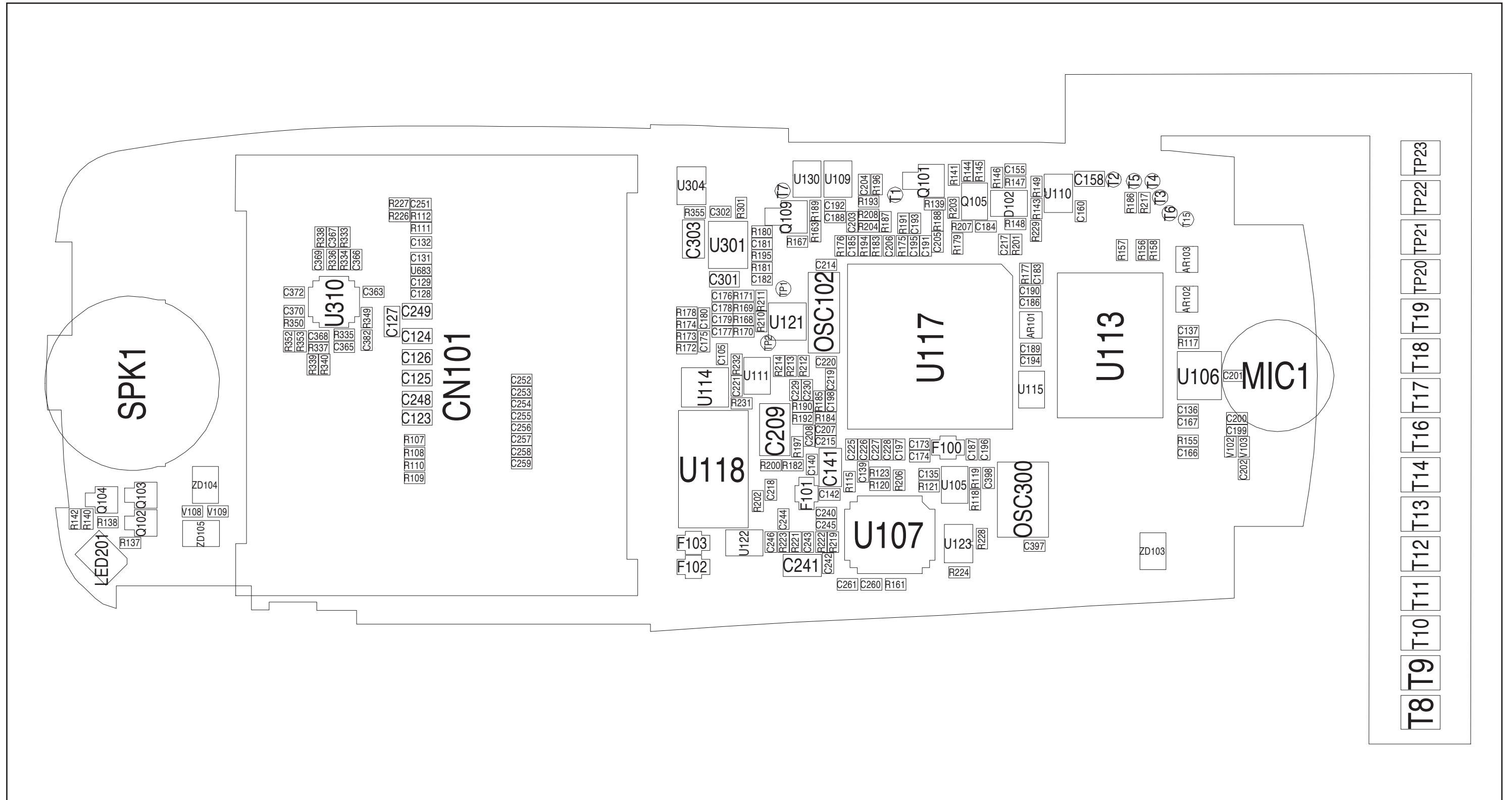
DATA KIT

GH39-00078A



## 2. PCB Diagrams

### 2-1 Main Top





## 3. Electrical Parts List

### 3-1 Main Parts List Top

NO	Reference	SEC Code	Part Description	Vendor Part No
1	AR101	2011-001345	R-CHIP;EXB28V103JX	EXB28V103JX
2	AR102	2011-001344	R-CHIP;EXB28V101JX	EXB28V101JX
3	AR103	2011-001344	R-CHIP;EXB28V101JX	EXB28V101JX
4	C123	2203-006053	C-CERAMIC,CHIP;C105Z,1UF,10V	GRM188R61A105KA61D
5	C124	2203-006053	C-CERAMIC,CHIP;C105Z,1UF,10V	GRM188R61A105KA61D
6	C125	2203-006053	C-CERAMIC,CHIP;C105Z,1UF,10V	GRM188R61A105KA61D
7	C126	2203-006053	C-CERAMIC,CHIP;C105Z,1UF,10V	GRM188R61A105KA61D
8	C127	2203-006053	C-CERAMIC,CHIP;C105Z,1UF,10V	GRM188R61A105KA61D
9	C128	2203-005061	C-CERAMIC,CHIP;C104Z,100NF,16V	GRP155F51C104ZA01E
10	C129	2203-005061	C-CERAMIC,CHIP;C104Z,100NF,16V	GRP155F51C104ZA01E
11	C130	2203-005061	C-CERAMIC,CHIP;C104Z,100NF,16V	GRP155F51C104ZA01E
12	C131	2203-005061	C-CERAMIC,CHIP;C104Z,100NF,16V	GRP155F51C104ZA01E
13	C132	2203-001405	C-CERAMIC,CHIP;C223K,22NF,50V	GRP155F51E223ZD01E
14	C135	2203-000233	C-CERAMIC,CHIP;C101J,100PF,50V	GRP1555C1H101JD01E
15	C136	2203-005061	C-CERAMIC,CHIP;C104Z,100NF,16V	GRP155F51C104ZA01E
16	C137	2203-002443	C-CERAMIC,CHIP;C331K,330PF,50V	GRP155R71H331KD01E
17	C139	2203-000438	C-CERAMIC,CHIP;C102K,1NF,50V	GRP155R71H102KA01E
18	C140	2203-005061	C-CERAMIC,CHIP;C104Z,100NF,16V	GRP155F51C104ZA01E
19	C141	2404-001086	C-TA,CHIP;4.7UF/6.3V	TESVSPOJ475M8RTJ
20	C142	2203-005061	C-CERAMIC,CHIP;C104Z,100NF,16V	GRP155F51C104ZA01E
21	C155	2203-005061	C-CERAMIC,CHIP;C104Z,100NF,16V	GRP155F51C104ZA01E
22	C158	2203-005065	C-CERAMIC,CHIP;C105Z,1UF,10V	GRM188F51A105ZC01D
23	C166	2203-005061	C-CERAMIC,CHIP;C104Z,100NF,16V	GRP155F51C104ZA01E
24	C167	2203-005061	C-CERAMIC,CHIP;C104Z,100NF,16V	GRP155F51C104ZA01E
25	C173	2203-003054	C-CERAMIC,CHIP;C090C,9PF,50V	GRP1555C1H9R0DZ01E
26	C174	2203-000679	C-CERAMIC,CHIP;C270J,27PF,50V	GRP1555C1H270JZ01E
27	C175	2203-005503	C-CERAMIC,CHIP;C1801J,180PF,25V	GRP1556C1E181JD01E
28	C176	2203-000233	C-CERAMIC,CHIP;C101J,100PF,50V	GRP1555C1H101JD01E
29	C177	2203-000233	C-CERAMIC,CHIP;C101J,100PF,50V	GRP1555C1H101JD01E
30	C178	2203-000233	C-CERAMIC,CHIP;C101J,100PF,50V	GRP1555C1H101JD01E
31	C179	2203-000233	C-CERAMIC,CHIP;C101J,100PF,50V	GRP1555C1H101JD01E
32	C180	2203-005503	C-CERAMIC,CHIP;C1801J,180PF,25V	GRP1556C1E181JD01E
33	C181	2203-000812	C-CERAMIC,CHIP;C330J,33PF,50V	GRP1555C1H330JZ01E
34	C182	2203-000812	C-CERAMIC,CHIP;C330J,33PF,50V	GRP1555C1H330JZ01E
35	C183	2203-000812	C-CERAMIC,CHIP;C330J,33PF,50V	GRP1555C1H330JZ01E
36	C184	2203-000254	C-CERAMIC,CHIP;C103K,10NF,16V	GRP155R71C103KA01E
37	C185	2203-000812	C-CERAMIC,CHIP;C330J,33PF,50V	GRP1555C1H330JZ01E
38	C186	2203-000254	C-CERAMIC,CHIP;C103K,10NF,16V	GRP155R71C103KA01E

NO	Reference	SEC Code	Part Description	Vendor Part No
39	C187	2203-000812	C-CERAMIC,CHIP;C330J,33PF,50V	GRP1555C1H330JZ01E
40	C188	2203-000812	C-CERAMIC,CHIP;C330J,33PF,50V	GRP1555C1H330JZ01E
41	C189	2203-000254	C-CERAMIC,CHIP;C103K,10NF,16V	GRP155R71C103KA01E
42	C190	2203-000254	C-CERAMIC,CHIP;C103K,10NF,16V	GRP155R71C103KA01E
43	C191	2203-000254	C-CERAMIC,CHIP;C103K,10NF,16V	GRP155R71C103KA01E
44	C192	2203-000254	C-CERAMIC,CHIP;C103K,10NF,16V	GRP155R71C103KA01E
45	C193	2203-000812	C-CERAMIC,CHIP;C330J,33PF,50V	GRP1555C1H330JZ01E
46	C194	2203-000812	C-CERAMIC,CHIP;C330J,33PF,50V	GRP1555C1H330JZ01E
47	C195	2203-000812	C-CERAMIC,CHIP;C330J,33PF,50V	GRP1555C1H330JZ01E
48	C196	2203-000812	C-CERAMIC,CHIP;C330J,33PF,50V	GRP1555C1H330JZ01E
49	C197	2203-005061	C-CERAMIC,CHIP;C104Z,100NF,16V	GRP155F51C104ZA01E
50	C198	2203-000254	C-CERAMIC,CHIP;C103K,10NF,16V	GRP155R71C103KA01E
51	C199	2203-003054	C-CERAMIC,CHIP;C090C,9PF,50V	GRP1555C1H9R0DZ01E
52	C200	2203-000386	C-CERAMIC,CHIP;C150J,15PF,50V	GRP1555C1H150JZ01E
53	C201	2203-000995	C-CERAMIC,CHIP;C470J,47PF,50V	GRP1555C1H470JZ01E
54	C203	2203-000679	C-CERAMIC,CHIP;C270J,27PF,50V	GRP1555C1H270JZ01E
55	C204	2203-000679	C-CERAMIC,CHIP;C270J,27PF,50V	GRP1555C1H270JZ01E
56	C205	2203-000679	C-CERAMIC,CHIP;C270J,27PF,50V	GRP1555C1H270JZ01E
57	C206	2203-000679	C-CERAMIC,CHIP;C270J,27PF,50V	GRP1555C1H270JZ01E
58	C207	2203-005480	C-CERAMIC,CHIP;C333K,33NF,10V	GRP155R71A333KA01E
59	C209	2404-001162	C-TA,CHIP;47UF/6.3V	F950G476MAAJZTQ2
60	C214	2203-000679	C-CERAMIC,CHIP;C270J,27PF,50V	GRP1555C1H270JZ01E
61	C215	2203-005480	C-CERAMIC,CHIP;C333K,33NF,10V	GRP155R71A333KA01E
62	C217	2203-000812	C-CERAMIC,CHIP;C330J,33PF,50V	GRP1555C1H330JZ01E
63	C218	2203-000812	C-CERAMIC,CHIP;C330J,33PF,50V	GRP1555C1H330JZ01E
64	C219	2203-005481	C-CERAMIC,CHIP;C473K,47NF,10V	GRP155R71A473KA01E
65	C220	2203-000679	C-CERAMIC,CHIP;C270J,27PF,50V	GRP1555C1H270JZ01E
66	C221	2203-005444	C-CERAMIC,CHIP;C030B,3PF,50V	GRP1555C1H3R0BZ01E
67	C225	2203-000254	C-CERAMIC,CHIP;C103K,10NF,16V	GRP155R71C103KA01E
68	C226	2203-003054	C-CERAMIC,CHIP;C090C,9PF,50V	GRP1555C1H9R0DZ01E
69	C227	2203-000254	C-CERAMIC,CHIP;C103K,10NF,16V	GRP155R71C103KA01E
70	C228	2203-000254	C-CERAMIC,CHIP;C103K,10NF,16V	GRP155R71C103KA01E
71	C229	2203-000254	C-CERAMIC,CHIP;C103K,10NF,16V	GRP155R71C103KA01E
72	C230	2203-000812	C-CERAMIC,CHIP;C330J,33PF,50V	GRP1555C1H330JZ01E
73	C240	2203-005483	C-CERAMIC,CHIP;C683K,68NF,10V	GRP155R61A683KA01E
74	C241	2404-001086	C-TA,CHIP;4.7UF/6.3V	TESVSPOJ475M8RTJ
75	C242	2203-005061	C-CERAMIC,CHIP;C104Z,100NF,16V	GRP155F51C104ZA01E
76	C243	2203-000233	C-CERAMIC,CHIP;C101J,100PF,50V	GRP1555C1H101JD01E
77	C244	2203-005061	C-CERAMIC,CHIP;C104Z,100NF,16V	GRP155F51C104ZA01E
78	C246	2203-002525	C-CERAMIC,CHIP;C561K,560PF,50V	GRP155R71H561KD01E
79	C248	2203-006053	C-CERAMIC,CHIP;C105Z,1UF,10V	GRM188R61A105KA61D
80	C249	2203-006053	C-CERAMIC,CHIP;C105Z,1UF,10V	GRM188R61A105KA61D

NO	Reference	SEC Code	Part Description	Vendor Part No
81	C251	2203-001101	C-CERAMIC,CHIP;X7R,6.8NF,25V	GRP155R71E682KA01E
82	C260	2203-000679	C-CERAMIC,CHIP;C270J,27PF,50V	GRP1555C1H270JZ01E
83	C261	2203-000679	C-CERAMIC,CHIP;C270J,27PF,50V	GRP1555C1H270JZ01E
84	C301	2203-005065	C-CERAMIC,CHIP;C105Z,1UF,10V	GRM188F51A105ZC01D
85	C302	2203-005061	C-CERAMIC,CHIP;C104Z,100NF,16V	GRP155F51C104ZA01E
86	C303	2404-001105	C-TA,CHIP;10UF/6.3V	TAJR106M006R
87	C363	2203-000812	C-CERAMIC,CHIP;C330J,33PF,50V	GRP1555C1H330JZ01E
88	C365	2203-001124	C-CERAMIC,CHIP;C681K,680PF,50V	GRP155R71H681KD01E
89	C366	2203-000311	C-CERAMIC,CHIP;C121J,120PF,50V	GRP1555C1H121JD01E
90	C367	2203-001239	C-CERAMIC,CHIP;C820J,82PF,50V	GRP1555C1H820JD01E
91	C368	2203-000995	C-CERAMIC,CHIP;C470J,47PF,50V	GRP1555C1H470JZ01E
92	C369	2203-000679	C-CERAMIC,CHIP;C270J,27PF,50V	GRP1555C1H270JZ01E
93	C370	2203-000995	C-CERAMIC,CHIP;C470J,47PF,50V	GRP1555C1H470JZ01E
94	D102	0407-001007	DIODE;UMN1	UMN1
95	F100	2901-001116	EMI FILTER;NFM39R12C471T1	NFM39R12C471T1
96	F101	2901-001116	EMI FILTER;NFM39R12C471T1	NFM39R12C471T1
97	F102	2901-001116	EMI FILTER;NFM39R12C471T1	NFM39R12C471T1
98	F103	2901-001116	EMI FILTER;NFM39R12C471T1	NFM39R12C471T1
99	LED201	0601-001543	3 COLOR LED;HL500-F01	HL500-F01
100	OSC102	2801-004025	OSCILLATOR;FC-255(32.768KHz,20ppm)	FC-255(32.768KHz,20ppm)
101	Q101	0501-002202	TR-SMALL SIGNAL;MMBT2222AWT1	MMBT2222AWT1
102	Q102	0504-001012	TR-SMALL SIGNAL;DTC114YE	DTC114YE
103	Q103	0504-001012	TR-SMALL SIGNAL;DTC114YE	DTC114YE
104	Q104	0504-001012	TR-SMALL SIGNAL;DTC114YE	DTC114YE
105	Q105	0504-001012	TR-SMALL SIGNAL;DTC114YE	DTC114YE
106	Q109	0501-000162	TR-SMALL SIGNAL;2SA1576FRT106	2SA1576FRT106
107	R107	2007-000162	R-CHIP;100K,5%	RC1005J104CS
108	R108	2007-000162	R-CHIP;100K,5%	RC1005J104CS
109	R109	2007-007771	R-CHIP;0,5%	ERJ2GEJ0R0E
110	R110	2007-007771	R-CHIP;0,5%	ERJ2GEJ0R0E
111	R111	2007-007771	R-CHIP;0,5%	ERJ2GEJ0R0E
112	R112	2007-007771	R-CHIP;0,5%	ERJ2GEJ0R0E
113	R115	2007-000162	R-CHIP;100K,5%	RC1005J104CS
114	R117	2007-000157	R-CHIP;47K,5%	RC1005J473CS
115	R119	2007-000170	R-CHIP;1M,5%	RC1005J105CS
116	R120	2007-000162	R-CHIP;100K,5%	RC1005J104CS
117	R121	2007-000172	R-CHIP;10,5%	RC1005J100CS
118	R123	2007-001325	R-CHIP;3.3K,5%	RC1005J332CS
119	R137	2007-007771	R-CHIP;0,5%	ERJ2GEJ0R0E
120	R138	2007-000139	R-CHIP;220,5%	RC1005J221CS
121	R139	2007-000140	R-CHIP;1K,5%	RC1005J102CS
122	R140	2007-001301	R-CHIP;68,5%	RC1005J680CS

NO	Reference	SEC Code	Part Description	Vendor Part No
123	R141	2007-000162	R-CHIP;100K,5%	RC1005J104CS
124	R142	2007-000138	R-CHIP;100,5%	RC1005J101CS
125	R143	2007-000162	R-CHIP;100K,5%	RC1005J104CS
126	R144	2007-000162	R-CHIP;100K,5%	RC1005J104CS
127	R145	2007-000148	R-CHIP;10K,5%	RC1005J103CS
128	R146	2007-000162	R-CHIP;100K,5%	RC1005J104CS
129	R147	2007-000162	R-CHIP;100K,5%	RC1005J104CS
130	R148	2007-000162	R-CHIP;100K,5%	RC1005J104CS
131	R149	2007-000162	R-CHIP;100K,5%	RC1005J104CS
132	R155	2007-000162	R-CHIP;100K,5%	RC1005J104CS
133	R156	2007-000162	R-CHIP;100K,5%	RC1005J104CS
134	R157	2007-000162	R-CHIP;100K,5%	RC1005J104CS
135	R158	2007-000162	R-CHIP;100K,5%	RC1005J104CS
136	R161	2007-000143	R-CHIP;4.7K,5%	RC1005J472CS
137	R163	2007-000148	R-CHIP;10K,5%	RC1005J103CS
138	R167	2007-000162	R-CHIP;100K,5%	RC1005J104CS
139	R168	2007-007317	R-CHIP;2.2K,1%	ERJ2RKF2201X
140	R169	2007-007317	R-CHIP;2.2K,1%	ERJ2RKF2201X
141	R170	2007-007317	R-CHIP;2.2K,1%	ERJ2RKF2201X
142	R171	2007-007317	R-CHIP;2.2K,1%	ERJ2RKF2201X
143	R172	2007-007318	R-CHIP;1K,1%	ERJ2RKF1001X
144	R173	2007-007318	R-CHIP;1K,1%	ERJ2RKF1001X
145	R174	2007-007318	R-CHIP;1K,1%	ERJ2RKF1001X
146	R175	2007-000162	R-CHIP;100K,5%	RC1005J104CS
147	R176	2007-000162	R-CHIP;100K,5%	RC1005J104CS
148	R177	2007-000162	R-CHIP;100K,5%	RC1005J104CS
149	R178	2007-007318	R-CHIP;1K,1%	ERJ2RKF1001X
150	R179	2007-000148	R-CHIP;10K,5%	RC1005J103CS
151	R180	2007-000157	R-CHIP;47K,5%	RC1005J473CS
152	R181	2007-000162	R-CHIP;100K,5%	RC1005J104CS
153	R182	2007-000148	R-CHIP;10K,5%	RC1005J103CS
154	R184	2007-000148	R-CHIP;10K,5%	RC1005J103CS
155	R185	2007-000148	R-CHIP;10K,5%	RC1005J103CS
156	R188	2007-000152	R-CHIP;20K,5%	RC1005J203CS
157	R189	2007-000148	R-CHIP;10K,5%	RC1005J103CS
158	R190	2007-000139	R-CHIP;220,5%	RC1005J221CS
159	R191	2007-000162	R-CHIP;100K,5%	RC1005J104CS
160	R192	2007-002796	R-CHIP;510,5%	ERJ2GEJ511X
161	R193	2007-000157	R-CHIP;47K,5%	RC1005J473CS
162	R194	2007-000168	R-CHIP;470K,5%	RC1005J474CS
163	R195	2007-000148	R-CHIP;10K,5%	RC1005J103CS
164	R196	2007-000157	R-CHIP;47K,5%	RC1005J473CS

NO	Reference	SEC Code	Part Description	Vendor Part No
165	R197	2007-002796	R-CHIP;510,5%	ERJ2GEJ511X
166	R200	2007-000139	R-CHIP;220,5%	RC1005J221CS
167	R201	2007-000141	R-CHIP;2.2K,5%	RC1005J222CS
168	R202	2007-000141	R-CHIP;2.2K,5%	RC1005J222CS
169	R203	2007-000148	R-CHIP;10K,5%	RC1005J103CS
170	R206	2007-007771	R-CHIP;0,5%	ERJ2GEJ0R0E
171	R208	2007-000148	R-CHIP;10K,5%	RC1005J103CS
172	R210	2007-007981	R-CHIP;180K,1%	ERJ2RKF1803X
173	R211	2007-007488	R-CHIP;75K,1%	ERJ2RKF7502X
174	R212	2007-000170	R-CHIP;1M,5%	RC1005J105CS
175	R213	2007-000170	R-CHIP;1M,5%	RC1005J105CS
176	R214	2007-000169	R-CHIP;510,5%	RC1005J514CS
177	R217	2007-000138	R-CHIP;100,5%	RC1005J101CS
178	R219	2007-007771	R-CHIP;0,5%	ERJ2GEJ0R0E
179	R221	2007-000775	R-CHIP;33K,5%	RC1005J333CS
180	R222	2007-001244	R-CHIP;91K,5%	RC1005J913CS
181	R223	2007-007090	R-CHIP;11K,5%	ERJ2GEJ113X
182	R224	2007-000162	R-CHIP;100K,5%	RC1005J104CS
183	R226	2007-000170	R-CHIP;1M,5%	RC1005J105CS
184	R227	2007-000636	R-CHIP;270K,5%	RC1005J274CS
185	R228	2007-000162	R-CHIP;100K,5%	RC1005J104CS
186	R229	2007-007771	R-CHIP;0,5%	ERJ2GEJ0R0E
187	R231	2007-007771	R-CHIP;0,5%	ERJ2GEJ0R0E
188	R333	2007-007142	R-CHIP;10K,1%	ERJ2RKF103X
189	R334	2007-007142	R-CHIP;10K,1%	ERJ2RKF103X
190	R335	2007-007314	R-CHIP;5.6K,1%	MCR01MZSF5601
191	R336	2007-007311	R-CHIP;22K,1%	ERJ2RKF2202X
192	R337	2007-001307	R-CHIP;180,5%	RC1005J181CS
193	R338	2007-000148	R-CHIP;10K,5%	RC1005J103CS
194	R339	2007-001301	R-CHIP;68,5%	RC1005J680CS
195	R340	2007-001301	R-CHIP;68,5%	RC1005J680CS
196	R349	2007-007771	R-CHIP;0,5%	ERJ2GEJ0R0E
197	R350	2007-001307	R-CHIP;180,5%	RC1005J181CS
198	R352	2007-001301	R-CHIP;68,5%	RC1005J680CS
199	R353	2007-001301	R-CHIP;68,5%	RC1005J680CS
200	R355	2007-000148	R-CHIP;10K,5%	RC1005J103CS
201	U105	0801-002717	DUAL INVERTER;NC7WZ04P6	NC7WZ04P6
202	U106	1009-001006	HALL IC;A3210ELH	A3210ELH
203	U107	1204-001811	MELODY IC;YMU759-QE2	YMU759-QE2
204	U109	0504-001060	TR-SMALL SIGNAL;BCR08PN	BCR08PN
205	U110	0505-001423	TR-SMALL SIGNAL;FDG6323L	FDG6323L
206	U111	1001-001145	IC-ANALOG SWITCH;MAX4599EXT-T	MAX4599EXT-T



NO	Reference	SEC Code	Part Description	Vendor Part No
207	U113	1109-001204	MEMORY IC;LRS1383	LRS1383
208	U114	1203-001511	RESET IC;MAX809REUR-T	MAX809REUR-T
209	U115	0801-002540	CMOS LOGIC IC;NC7SZ19P6X	NC7SZ19P6X
210	U117	1205-001881	IC_ONE-C;VP40575	VP40575
211	U118	1103-001262	EEPROM IC;AT24C512-10CI-2.7	AT24C512-10CI-2.7
212	U121	1201-001729	IC_OP-AMP;LMC6035IBPX	LMC6035IBPX
213	U122	1001-001145	IC-ANALOG SWITCH;MAX4599EXT-T	MAX4599EXT-T
214	U123	0505-001423	TR-SMALL SIGNAL;FDG6323L	FDG6323L
215	U130	0504-001060	TR-SMALL SIGNAL;BCR08PN	BCR08PN
216	U301	1203-001454	LDO;LP2981AIM5X-3.0	LP2981AIM5X-3.0
217	U304	0505-001423	TR-SMALL SIGNAL;FDG6323L	FDG6323L
218	U310	1209-001379	IC-ETC, LINEAR;HD155173ANP	HD155173ANP
219	V102	1405-001093	VARISTER;VC040214X300	VC040214X300
220	V103	1405-001093	VARISTER;VC040214X300	VC040214X300
221	V108	1405-001082	VARISTER;VC040205X150R	VC040205X150R
222	V109	1405-001082	VARISTER;VC040205X150R	VC040205X150R
223	V117	1405-001093	VARISTER;VC040214X300	VC040214X300
224	V118	1405-001093	VARISTER;VC040214X300	VC040214X300
225	V119	1405-001093	VARISTER;VC040214X300	VC040214X300
226	V120	1405-001093	VARISTER;VC040214X300	VC040214X300
227	V121	1405-001093	VARISTER;VC040214X300	VC040214X300
228	V122	1405-001093	VARISTER;VC040214X300	VC040214X300
229	V123	1405-001093	VARISTER;VC040214X300	VC040214X300
230	V124	1405-001093	VARISTER;VC040214X300	VC040214X300
231	V125	1405-001093	VARISTER;VC040214X300	VC040214X300



### 3-2 Main Parts List Bottom

NO	Reference	SEC Code	Part Description	Vendor Part No
1	ANT1	GH71-00434A	COMP-SMD;ANT CONTACT	ANT CONTACT
2	C100	2404-001105	C-TA,CHIP;10UF/6.3V	TAJR106M006R
3	C101	2203-000254	C-CERAMIC,CHIP;C103K,10NF,16V	GRP155R71C103KA01E
4	C102	2203-000233	C-CERAMIC,CHIP;C101J,100PF,50V	GRP1555C1H101JD01E
5	C103	2203-000254	C-CERAMIC,CHIP;C103K,10NF,16V	GRP155R71C103KA01E
6	C104	2203-005482	C-CERAMIC,CHIP;C104K,100NF,10V	GRP155R61A104KA01E
7	C108	2203-005061	C-CERAMIC,CHIP;C104Z,100NF,16V	GRP155F51C104ZA01E
8	C109	2203-000254	C-CERAMIC,CHIP;C103K,10NF,16V	GRP155R71C103KA01E
9	C110	2404-001105	C-TA,CHIP;10UF/6.3V	TAJR106M006R
10	C111	2404-001239	C-TA,CHIP;100UF/6.3V	F950J107MBAAQ2
11	C112	2404-001105	C-TA,CHIP;10UF/6.3V	TAJR106M006R
12	C113	2404-001239	C-TA,CHIP;100UF/6.3V	F950J107MBAAQ2
13	C114	2203-005065	C-CERAMIC,CHIP;C105Z,1UF,10V	GRM188F51A105ZC01D
14	C115	2203-000254	C-CERAMIC,CHIP;C103K,10NF,16V	GRP155R71C103KA01E
15	C116	2203-000254	C-CERAMIC,CHIP;C103K,10NF,16V	GRP155R71C103KA01E
16	C117	2203-000254	C-CERAMIC,CHIP;C103K,10NF,16V	GRP155R71C103KA01E
17	C118	2404-001105	C-TA,CHIP;10UF/6.3V	TAJR106M006R
18	C119	2203-000679	C-CERAMIC,CHIP;C270J,27PF,50V	GRP1555C1H270JZ01E
19	C120	2404-001162	C-TA,CHIP;47UF/6.3V	F950G476MAAJZTQ2
20	C121	2203-005065	C-CERAMIC,CHIP;C105Z,1UF,10V	GRM188F51A105ZC01D
21	C122	2203-000254	C-CERAMIC,CHIP;C103K,10NF,16V	GRP155R71C103KA01E
22	C133	2203-005061	C-CERAMIC,CHIP;C104Z,100NF,16V	GRP155F51C104ZA01E
23	C134	2203-005061	C-CERAMIC,CHIP;C104Z,100NF,16V	GRP155F51C104ZA01E
24	C143	2203-001086	C-CERAMIC,CHIP;C5R0C,5PF,50V	GRM1885C1H5R0CZ01D
25	C144	2203-005061	C-CERAMIC,CHIP;C104Z,100NF,16V	GRP155F51C104ZA01E
26	C161	2203-000233	C-CERAMIC,CHIP;C101J,100PF,50V	GRP1555C1H101JD01E
27	C163	2404-001020	C-TA,CHIP;10UF/10V	TAJA106M010R
28	C164	2404-001105	C-TA,CHIP;10UF/6.3V	TAJR106M006R
29	C165	2203-005061	C-CERAMIC,CHIP;C104Z,100NF,16V	GRP155F51C104ZA01E
30	C168	2203-005065	C-CERAMIC,CHIP;C105Z,1UF,10V	GRM188F51A105ZC01D
31	C169	2203-000679	C-CERAMIC,CHIP;C270J,27PF,50V	GRP1555C1H270JZ01E
32	C211	2203-000995	C-CERAMIC,CHIP;C470J,47PF,50V	GRP1555C1H470JZ01E
33	C213	2203-000995	C-CERAMIC,CHIP;C470J,47PF,50V	GRP1555C1H470JZ01E
34	C222	2203-000679	C-CERAMIC,CHIP;C270J,27PF,50V	GRP1555C1H270JZ01E
35	C223	2203-000679	C-CERAMIC,CHIP;C270J,27PF,50V	GRP1555C1H270JZ01E
36	C231	2203-000386	C-CERAMIC,CHIP;C150J,15PF,50V	GRP1555C1H150JZ01E
37	C234	2203-000679	C-CERAMIC,CHIP;C270J,27PF,50V	GRP1555C1H270JZ01E
38	C238	2203-005061	C-CERAMIC,CHIP;C104Z,100NF,16V	GRP155F51C104ZA01E
39	C239	2203-003054	C-CERAMIC,CHIP;C090C,9PF,50V	GRP1555C1H9R0DZ01E
40	C304	2203-005065	C-CERAMIC,CHIP;C105Z,1UF,10V	GRM188F51A105ZC01D
41	C305	2203-005061	C-CERAMIC,CHIP;C104Z,100NF,16V	GRP155F51C104ZA01E
42	C306	2404-001105	C-TA,CHIP;10UF/6.3V	TAJR106M006R

NO	Reference	SEC Code	Part Description	Vendor Part No
43	C307	2203-000254	C-CERAMIC,CHIP;C103K,10NF,16V	GRP155R71C103KA01E
44	C308	2203-005065	C-CERAMIC,CHIP;C105Z,1UF,10V	GRM188F51A105ZC01D
45	C309	2203-005061	C-CERAMIC,CHIP;C104Z,100NF,16V	GRP155F51C104ZA01E
46	C310	2404-001162	C-TA,CHIP;47UF/6.3V	F950G476MAAJZTQ2
47	C311	2203-000254	C-CERAMIC,CHIP;C103K,10NF,16V	GRP155R71C103KA01E
48	C312	2203-000254	C-CERAMIC,CHIP;C103K,10NF,16V	GRP155R71C103KA01E
49	C313	2203-000254	C-CERAMIC,CHIP;C103K,10NF,16V	GRP155R71C103KA01E
50	C314	2203-005061	C-CERAMIC,CHIP;C104Z,100NF,16V	GRP155F51C104ZA01E
51	C315	2203-005061	C-CERAMIC,CHIP;C104Z,100NF,16V	GRP155F51C104ZA01E
52	C316	2203-005061	C-CERAMIC,CHIP;C104Z,100NF,16V	GRP155F51C104ZA01E
53	C317	2203-000585	C-CERAMIC,CHIP;C221K,220PF,50V	ECUE1H221KBQ
54	C318	2203-002525	C-CERAMIC,CHIP;C561K,560PF,50V	GRP155R71H561KD01E
55	C319	2203-002525	C-CERAMIC,CHIP;C561K,560PF,50V	GRP155R71H561KD01E
56	C320	2203-002525	C-CERAMIC,CHIP;C561K,560PF,50V	GRP155R71H561KD01E
57	C321	2203-000438	C-CERAMIC,CHIP;C102K,1NF,50V	GRP155R71H102KA01E
58	C322	2203-000254	C-CERAMIC,CHIP;C103K,10NF,16V	GRP155R71C103KA01E
59	C323	2203-005234	C-CERAMIC,CHIP;C1R2C,1.2PF,50V	GRP1555C1H1R2CZ01E
60	C324	2203-000679	C-CERAMIC,CHIP;C270J,27PF,50V	GRP1555C1H270JZ01E
61	C325	2203-005443	C-CERAMIC,CHIP;C3R3B,3.3PF,50V	GRP1555C1H3R3BZ01E
62	C326	2203-005450	C-CERAMIC,CHIP;C5R6B,5.6PF,50V	GRP1555C1H5R6BZ01E
63	C327	2203-000679	C-CERAMIC,CHIP;C270J,27PF,50V	GRP1555C1H270JZ01E
64	C328	2203-005234	C-CERAMIC,CHIP;C1R2C,1.2PF,50V	GRP1555C1H1R2CZ01E
65	C330	2203-000438	C-CERAMIC,CHIP;C102K,1NF,50V	GRP155R71H102KA01E
66	C331	2203-000679	C-CERAMIC,CHIP;C270J,27PF,50V	GRP1555C1H270JZ01E
67	C332	2203-000438	C-CERAMIC,CHIP;C102K,1NF,50V	GRP155R71H102KA01E
68	C333	2203-000679	C-CERAMIC,CHIP;C270J,27PF,50V	GRP1555C1H270JZ01E
69	C334	2203-005383	C-CERAMIC,CHIP;C7R0B,7PF,50V	GRP1555C1H7R0BZ01E
70	C335	2203-000438	C-CERAMIC,CHIP;C102K,1NF,50V	GRP155R71H102KA01E
71	C336	2703-002207	INDUCTOR-SMD;CIH05T3N3SNC	CIH05T3N3SNC
72	C337	2203-000425	C-CERAMIC,CHIP;C180J,18PF,50V	GRP1555C1H180JZ01E
73	C338	2203-000438	C-CERAMIC,CHIP;C102K,1NF,50V	GRP155R71H102KA01E
74	C339	2203-000233	C-CERAMIC,CHIP;C101J,100PF,50V	GRP1555C1H101JD01E
75	C340	2203-005234	C-CERAMIC,CHIP;C1R2C,1.2PF,50V	GRP1555C1H1R2CZ01E
76	C341	2203-000359	C-CERAMIC,CHIP;C151J,150PF,50V	GRP1555C1H151JD01E
77	C342	2203-000438	C-CERAMIC,CHIP;C102K,1NF,50V	GRP155R71H102KA01E
78	C344	2203-000278	C-CERAMIC,CHIP;C100D,10PF,50V	GRP1555C1H100JZ01E
79	C345	2203-000438	C-CERAMIC,CHIP;C102K,1NF,50V	GRP155R71H102KA01E
80	C346	2203-000679	C-CERAMIC,CHIP;C270J,27PF,50V	GRP1555C1H270JZ01E
81	C347	2203-000278	C-CERAMIC,CHIP;C100D,10PF,50V	GRP1555C1H100JZ01E
82	C348	2203-000438	C-CERAMIC,CHIP;C102K,1NF,50V	GRP155R71H102KA01E
83	C349	2203-000438	C-CERAMIC,CHIP;C102K,1NF,50V	GRP155R71H102KA01E
84	C350	2203-000254	C-CERAMIC,CHIP;C103K,10NF,16V	GRP155R71C103KA01E

NO	Reference	SEC Code	Part Description	Vendor Part No
85	C351	2203-005446	C-CERAMIC,CHIP;C2R7B,2.7PF,50V	GRP1555C1H2R7BZ01E
86	C352	2203-000233	C-CERAMIC,CHIP;C101J,100PF,50V	GRP1555C1H101JD01E
87	C353	2203-005050	C-CERAMIC,CHIP;C1R8C,1.8PF,50V	GRP1555C1H1R8CZ01E
88	C354	2203-000438	C-CERAMIC,CHIP;C102K,1NF,50V	GRP155R71H102KA01E
89	C355	2203-002687	C-CERAMIC,CHIP;C122K,1.2NF,50V	GRP155R71H122KD01E
90	C356	2203-000233	C-CERAMIC,CHIP;C101J,100PF,50V	GRP1555C1H101JD01E
91	C357	2203-000609	C-CERAMIC,CHIP;C223K,22NF,50V	GRM216R71H223KA01D
92	C358	2301-001232	COMP-SMD;470PF,50V	ECHU1H471JX5
93	C359	2203-000812	C-CERAMIC,CHIP;C330J,33PF,50V	GRP1555C1H330JZ01E
94	C360	2203-000679	C-CERAMIC,CHIP;C270J,27PF,50V	GRP1555C1H270JZ01E
95	C361	2203-000278	C-CERAMIC,CHIP;C100D,10PF,50V	GRP1555C1H100JZ01E
96	C362	2404-001210	C-TA,CHIP;220UF/6.3V	F750J227MUCGZT
97	C364	2203-000233	C-CERAMIC,CHIP;C101J,100PF,50V	GRP1555C1H101JD01E
98	C374	2203-001086	C-CERAMIC,CHIP;C5R0C,5PF,50V	GRM1885C1H5R0CZ01D
99	C375	2203-000438	C-CERAMIC,CHIP;C102K,1NF,50V	GRP155R71H102KA01E
100	C376	2203-000233	C-CERAMIC,CHIP;C101J,100PF,50V	GRP1555C1H101JD01E
101	C377	2203-000812	C-CERAMIC,CHIP;C330J,33PF,50V	GRP1555C1H330JZ01E
102	C378	2203-000812	C-CERAMIC,CHIP;C330J,33PF,50V	GRP1555C1H330JZ01E
103	C379	2203-000679	C-CERAMIC,CHIP;C270J,27PF,50V	GRP1555C1H270JZ01E
104	C380	2203-000233	C-CERAMIC,CHIP;C101J,100PF,50V	GRP1555C1H101JD01E
105	C381	2203-000679	C-CERAMIC,CHIP;C270J,27PF,50V	GRP1555C1H270JZ01E
106	C385	2404-001101	C-TA,CHIP;1UF/16V	TAJR105M016R
107	C386	2203-000438	C-CERAMIC,CHIP;C102K,1NF,50V	GRP155R71H102KA01E
108	C396	2203-005007	C-CERAMIC,CHIP;C1R2C,1.2PF,50V	GRM1885C1H1R2CZ01D
109	CN102	3711-004937	CONNECTOR;AXK6F14335J	AXK6F14335J
110	CN103	3710-001105	CONNECTOR;24-8005-002-000-867	24-8005-002-000-867
111	CN104	3722-001655	CONNECTOR;02-828J0-53BKA	02-828J0-53BKA
112	CN105	3710-001105	CONNECTOR;24-8005-002-000-867	24-8005-002-000-867
113	CN106	3709-001177	CONNECTOR;ID1AS1-6S-2.54SFD	ID1AS1-6S-2.54SFD
114	CN220	3710-001595	CONNECTOR;1004-0018-304	1004-0018-304
115	D100	0401-001033	DIODE;MCL4154	MCL4154
116	F301	2904-001328	RF SAW FILTER;FAR-F6CS-1G8425-L250	FAR-F6CS-1G8425-L250
117	F302	2904-001328	RF SAW FILTER;FAR-F6CS-1G8425-L250	FAR-F6CS-1G8425-L250
118	F303	2903-001266	COMP-SMD;MKFC225.000MBA701X-TC11	MKFC225.000MBA701X-TC11
119	F304	2901-001116	EMI FILTER;NFM39R12C471T1	NFM39R12C471T1
120	F305	2901-001155	EMI FILTER;NFM60R00T221	NFM60R00T221
121	J301	3705-001242	CONNECTOR;CRS5001-1702	CRS5001-1702
122	L301	2703-002208	INDUCTOR-SMD;CIH05T2N2SNC	CIH05T2N2SNC
123	L302	2703-002198	INDUCTOR-SMD;CIH05T10NJNC	CIH05T10NJNC
124	L303	2703-001545	INDUCTOR-SMD;0603CS-47NXJBC	0603CS-47NXJBC
125	L304	2703-001545	INDUCTOR-SMD;0603CS-47NXJBC	0603CS-47NXJBC
126	L305	2703-001514	INDUCTOR-SMD;0603CS-68NXJBC	0603CS-68NXJBC

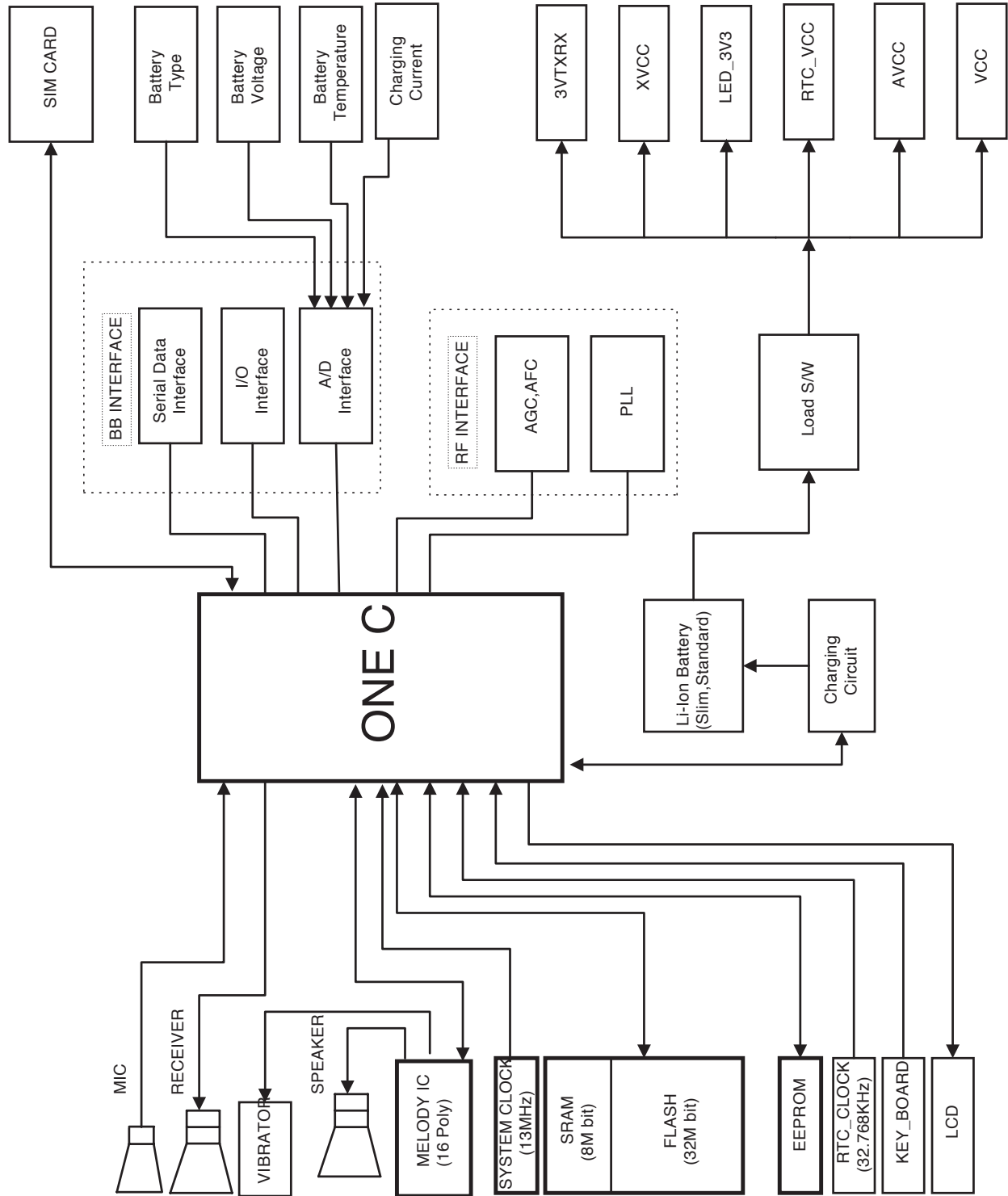
NO	Reference	SEC Code	Part Description	Vendor Part No
127	L306	2703-002207	INDUCTOR-SMD;CIH05T3N3SNC	CIH05T3N3SNC
128	L307	2703-002204	INDUCTOR-SMD;CIH05T22NJNC	CIH05T22NJNC
129	L308	2703-002281	INDUCTOR-SMD;CIH05T5N6SNC	CIH05T5N6SNC
130	L309	2703-001685	INDUCTOR-SMD;0603CS-82NXJBC	0603CS-82NXJBC
131	L310	2703-002204	INDUCTOR-SMD;CIH05T22NJNC	CIH05T22NJNC
132	L311	2703-002268	INDUCTOR-SMD;CIH05T8N2JNC	CIH05T8N2JNC
133	L312	2703-002176	INDUCTOR-SMD;CIH05T2N7SNC	CIH05T2N7SNC
134	L313	2703-002202	INDUCTOR-SMD;CIH05T27NJNC	CIH05T27NJNC
135	L314	2703-002170	INDUCTOR-SMD;CIH05T6N8JNC	CIH05T6N8JNC
136	L316	2703-002281	INDUCTOR-SMD;CIH05T5N6SNC	CIH05T5N6SNC
137	L317	2703-002201	INDUCTOR-SMD;CIH05T33NJNC	CIH05T33NJNC
138	L318	2703-002201	INDUCTOR-SMD;CIH05T33NJNC	CIH05T33NJNC
139	L319	2703-002199	INDUCTOR-SMD;CIH05T12NKNC	CIH05T12NKNC
140	L320	2703-002199	INDUCTOR-SMD;CIH05T12NKNC	CIH05T12NKNC
141	M100	4302-001119	BACK_UP BATTERY;RB414_II06N	RB414_II06N
142	Q105	0506-001004	TR-SMALL SIGNAL;UMC5NTL	UMC5NTL
143	Q106	0501-002346	TR-SMALL SIGNAL;2SB1427-E-T100	2SB1427-E-T100
144	Q301	0501-000225	TR-SMALL SIGNAL;2SC4617	2SC4617
145	Q302	0504-001060	TR-SMALL SIGNAL;BCR08PN	BCR08PN
146	Q303	0504-001060	TR-SMALL SIGNAL;BCR08PN	BCR08PN
147	Q304	0504-001060	TR-SMALL SIGNAL;BCR08PN	BCR08PN
148	R102	2007-007771	R-CHIP;0,5%	ERJ2GEJ0R0E
149	R101	2007-000140	R-CHIP;1K,5%	RC1005J102CS
150	R103	2007-000162	R-CHIP;100K,5%	RC1005J104CS
151	R105	2007-000140	R-CHIP;1K,5%	RC1005J102CS
152	R113	2007-000159	R-CHIP;56K,5%	RC1005J563CS
153	R118	2007-007771	R-CHIP;0,5%	ERJ2GEJ0R0E
154	R128	2007-007771	R-CHIP;0,5%	ERJ2GEJ0R0E
155	R152	2007-007590	R-CHIP;82K,1%	ERJ2RKF8202X
156	R153	2007-007107	R-CHIP;100K,1%	RC1005F1003CS
157	R154	2007-008117	R-CHIP;2.7K,1%	ERJ2RKF2701X
158	R230	2007-007771	R-CHIP;0,5%	ERJ2GEJ0R0E
159	R303	2007-000148	R-CHIP;10K,5%	RC1005J103CS
160	R304	2007-000148	R-CHIP;10K,5%	RC1005J103CS
161	R305	2007-000172	R-CHIP;10,5%	RC1005J100CS
162	R306	2007-001244	R-CHIP;91K,5%	RC1005J913CS
163	R307	2007-000148	R-CHIP;10K,5%	RC1005J103CS
164	R308	2007-001325	R-CHIP;3.3K,5%	RC1005J332CS
165	R309	2007-001307	R-CHIP;180,5%	RC1005J181CS
166	R310	2007-007771	R-CHIP;0,5%	ERJ2GEJ0R0E
167	R311	2007-000155	R-CHIP;27K,5%	RC1005J273CS
168	R312	2007-000140	R-CHIP;1K,5%	RC1005J102CS

NO	Reference	SEC Code	Part Description	Vendor Part No
169	R313	2007-000242	R-CHIP;1.5K,5%	RC1005J152CS
170	R317	2007-000172	R-CHIP;10,5%	RC1005J100CS
171	R319	2007-000172	R-CHIP;10,5%	RC1005J100CS
172	R320	2007-000174	R-CHIP;47,5%	RC1005J470CS
173	R321	2007-000153	R-CHIP;22K,5%	RC1005J223CS
174	R322	2007-000138	R-CHIP;100,5%	RC1005J101CS
175	R323	2007-001292	R-CHIP;33,5%	ERJ2GEJ330X
176	R325	2007-001313	R-CHIP;330,5%	RC1005J331CS
177	R326	2007-001313	R-CHIP;330,5%	RC1005J331CS
178	R328	2007-003112	R-CHIP;27,5%	RC1005J270CS
179	R329	2007-001294	R-CHIP;36,5%	RC1005J360CS
180	R330	2007-007307	R-CHIP;150,5%	ERJ2RKF1500X
181	R331	2007-007307	R-CHIP;150,5%	ERJ2RKF1500X
182	R332	2007-001298	R-CHIP;51,5%	RC1005J510CS
183	R341	2007-001290	R-CHIP;24,5%	RC1005J240CS
184	R342	2007-000139	R-CHIP;220,5%	RC1005J221CS
185	R343	2007-000139	R-CHIP;220,5%	RC1005J221CS
186	R344	2007-000148	R-CHIP;10K,5%	RC1005J103CS
187	R346	2007-000148	R-CHIP;10K,5%	RC1005J103CS
188	R348	2007-000148	R-CHIP;10K,5%	RC1005J103CS
189	R351	2007-001298	R-CHIP;51,5%	RC1005J510CS
190	SW1	3404-001152	CONNECTOR;LS10N2-T	LS10N2-T
191	SW2	3404-001152	CONNECTOR;LS10N2-T	LS10N2-T
192	TH100	1404-001005	THERMISTOR;NTH5G40B473J01TE	NTH5G40B473J01TE
193	U100	1203-002077	LDO;LP2985AIM5-3.3	LP2985AIM5-3.3
194	U101	1203-002443	LDO;LP3981MMX-3.03	LP3981MMX-3.03
195	U102	0505-001376	IC;SI3865DV	SI3865DV
196	U103	1203-001454	LDO;LP2981AIM5X-3.0	LP2981AIM5X-3.0
197	U104	1203-001454	LDO;LP2981AIM5X-3.0	LP2981AIM5X-3.0
198	U112	1203-002127	CHARGER IC;LTC1734ES6-4.2#TR	LTC1734ES6
199	U120	1003-001440	IC;MDC3105LT1	MDC3105LT1
200	U124	0505-001423	TR-SMALL SIGNAL;FDG6323L	FDG6323L
201	U302	1203-001701	LDO;LP2982AIM5X-3.0	LP2982AIM5X-3.0
202	U303	1203-001701	LDO;LP2982AIM5X-3.0	LP2982AIM5X-3.0
203	U305	2809-001254	VCTCXO;TOA1300VAI4KRA	TOA1300VAI4KRA
204	U306	1209-001337	IC;SI4133G-XM2R	SI4133G-XM2R
205	U307	1205-001935	BRIGHT ± + IC;HD155128TF	HD155128TF
206	U308	2806-001239	TX VCO;VOF1748C28KRF(R200)	VOF1748C28KRF
207	U311	1201-001785	PAM IC;PF08122B	PF08122B
208	U312	2909-001146	ANT S/W;ES-A5010B(R200)	ES-A5010B
209	U313	4709-001261	COUPLER;LDC10B200J0897	LDC10B200J0897
210	U314	4709-001260	COUPLER;LDC10B140J1747	LDC10B140J1747

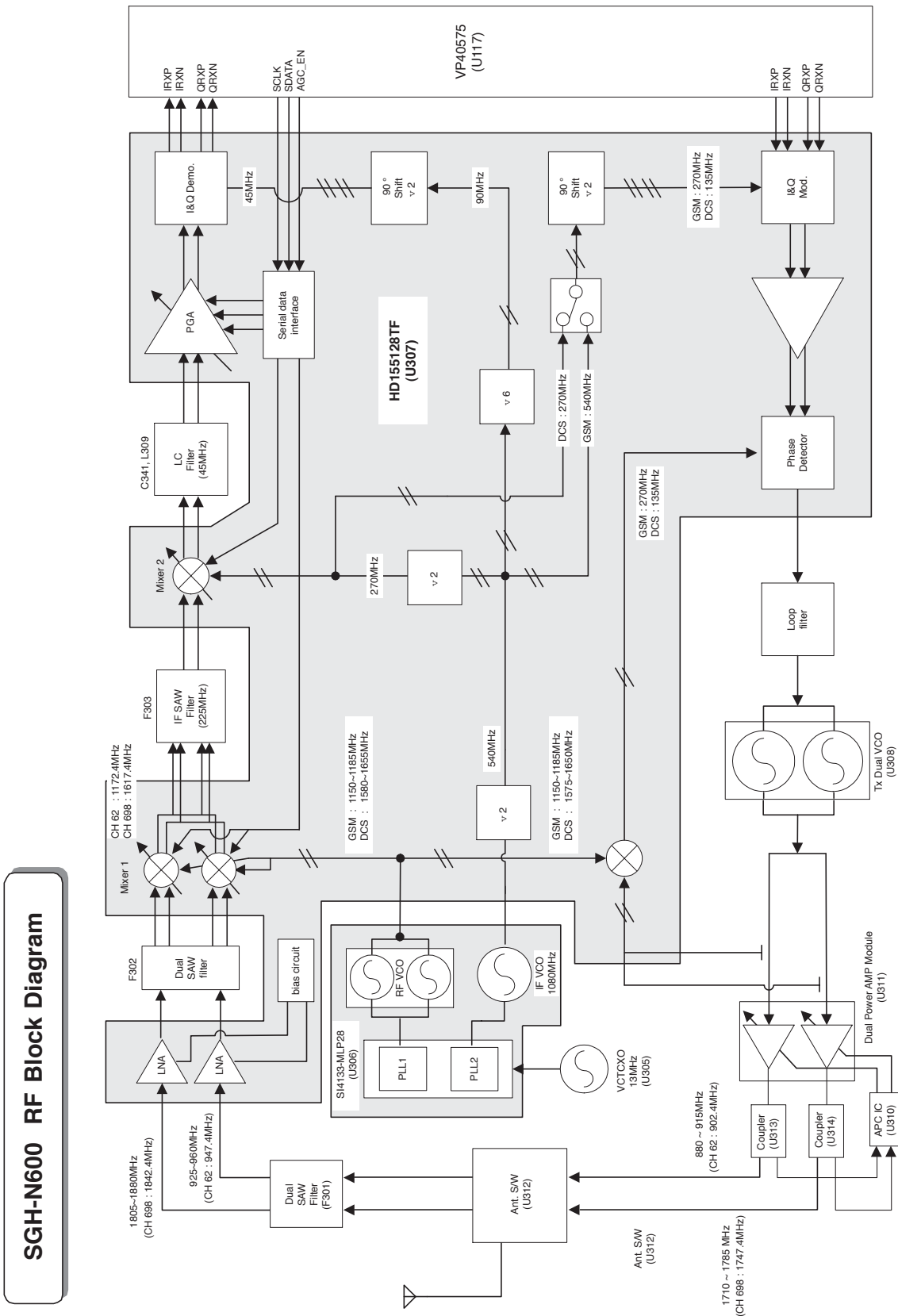
<b>NO</b>	<b>Reference</b>	<b>SEC Code</b>	<b>Part Description</b>	<b>Vendor Part No</b>
211	V101	1405-001082	VARISTER;VC040205X150R	VC040205X150R
212	V104	1405-001082	VARISTER;VC040205X150R	VC040205X150R
213	V105	1405-001082	VARISTER;VC040205X150R	VC040205X150R
214	V106	1405-001082	VARISTER;VC040205X150R	VC040205X150R
215	V107	1405-001082	VARISTER;VC040205X150R	VC040205X150R
216	V110	1405-001082	VARISTER;VC040205X150R	VC040205X150R
217	V111	1405-001093	VARISTER;VC040214X300	VC040214X300
218	V112	1405-001093	VARISTER;VC040214X300	VC040214X300
219	V113	1405-001093	VARISTER;VC040214X300	VC040214X300
220	V114	1405-001093	VARISTER;VC040214X300	VC040214X300
221	V115	1405-001082	VARISTER;VC040205X150R	VC040205X150R
222	V116	1405-001082	VARISTER;VC040205X150R	VC040205X150R
223	ZD101	0406-001104	DIODE;ESDA6V1-5W6	ESDA6V1-5W6
224	ZD102	0406-001104	DIODE;ESDA6V1-5W6	ESDA6V1-5W6

# 4. Block Diagrams

## 4-1 Main Base Band



# 4-2 Main RF



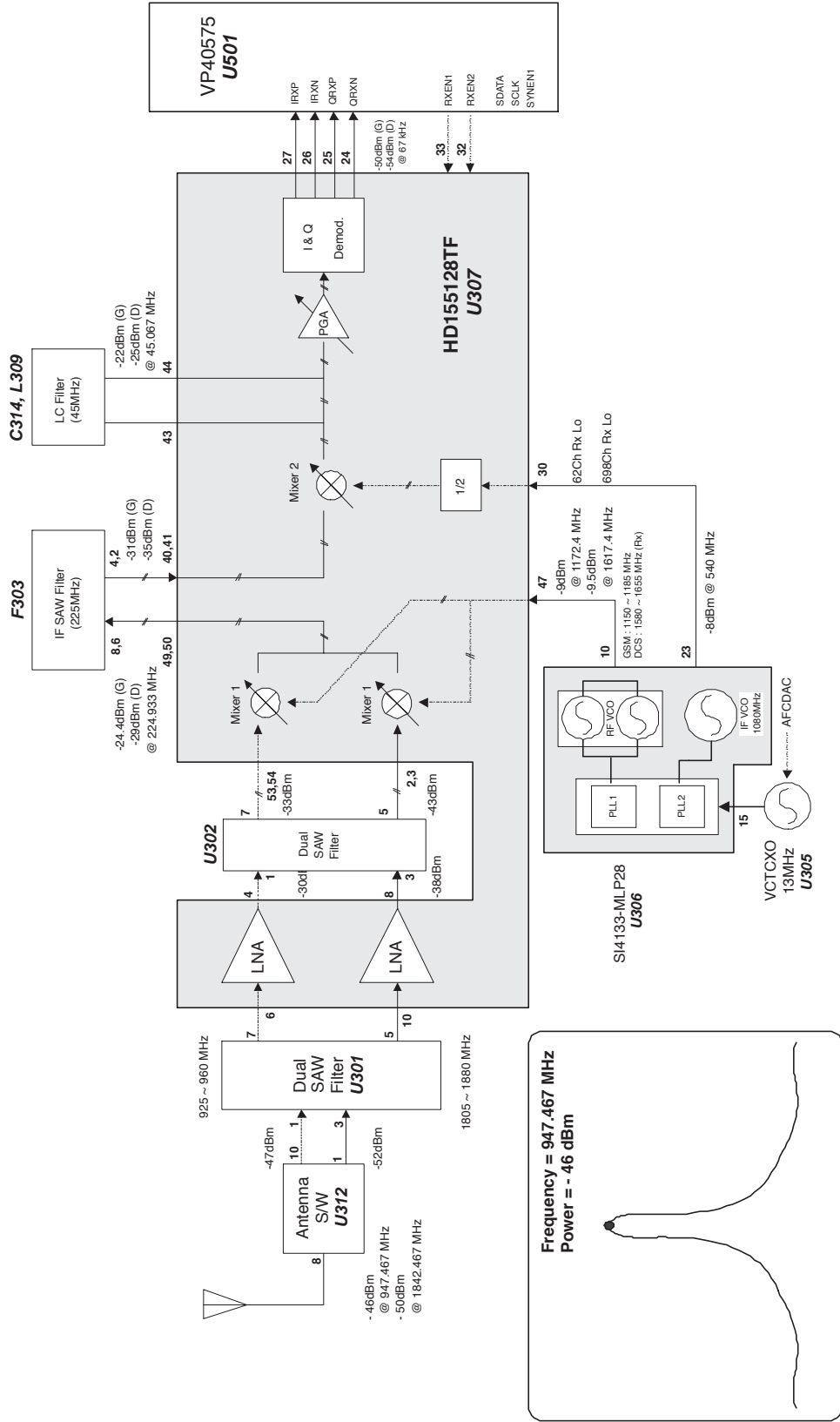




# 4-2-2 RF Rx Part

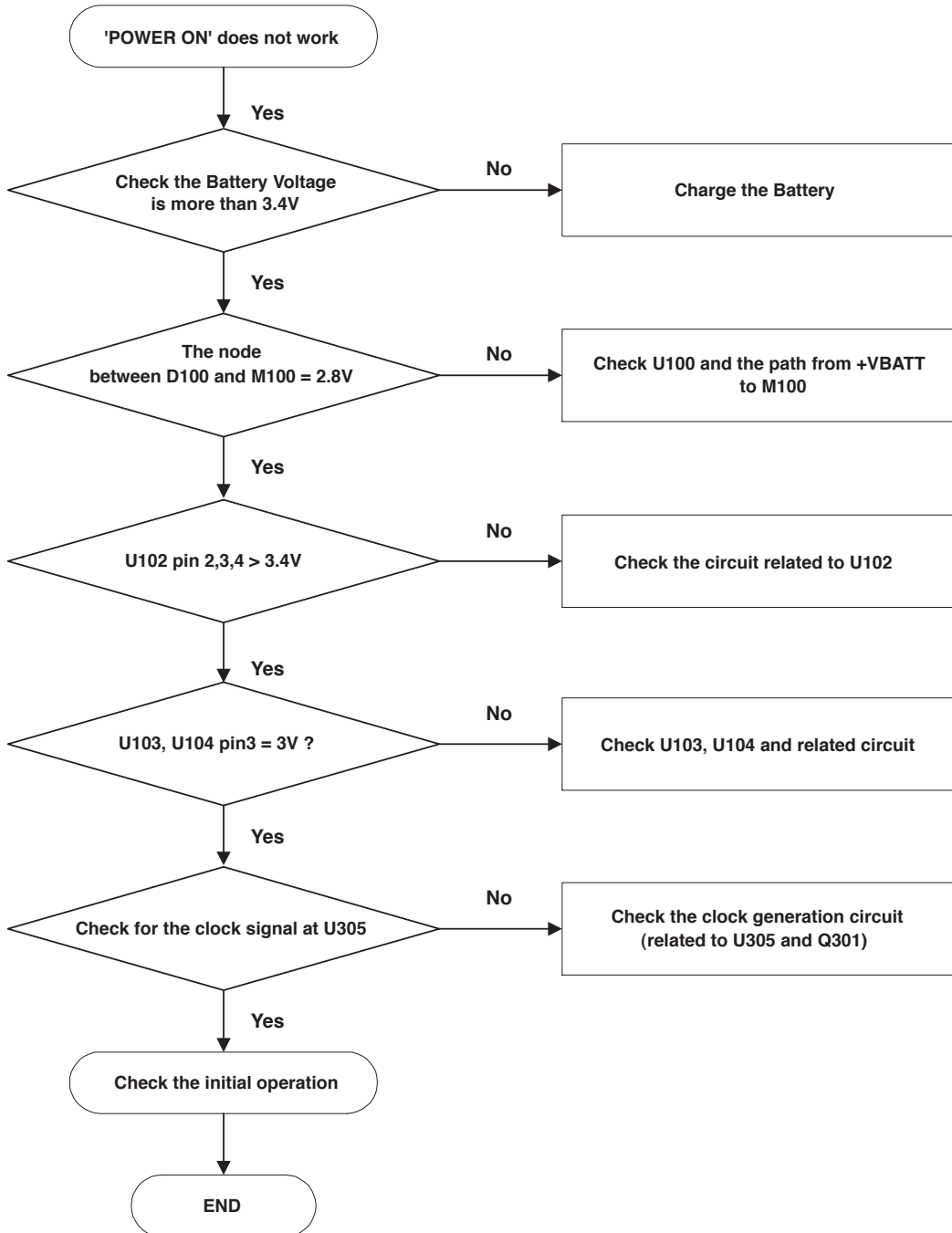
- GSM : Tx level 5 @ 60 CH, BS Power = - 40 dBm
- DCS : Tx level 0 @ 698 CH, BS Power = - 40 dBm

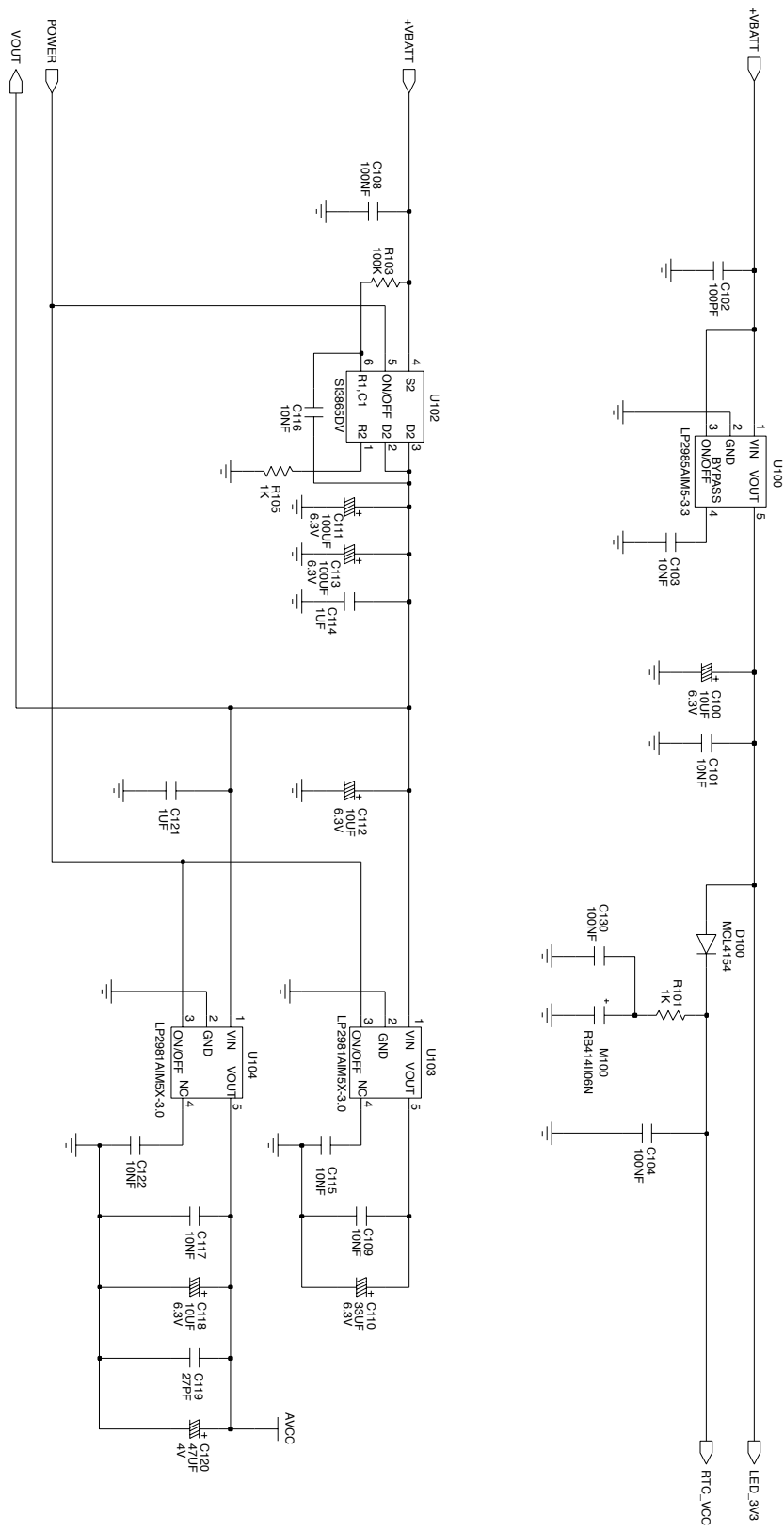
## SGH-N600 RF Block Diagram - Rx Part



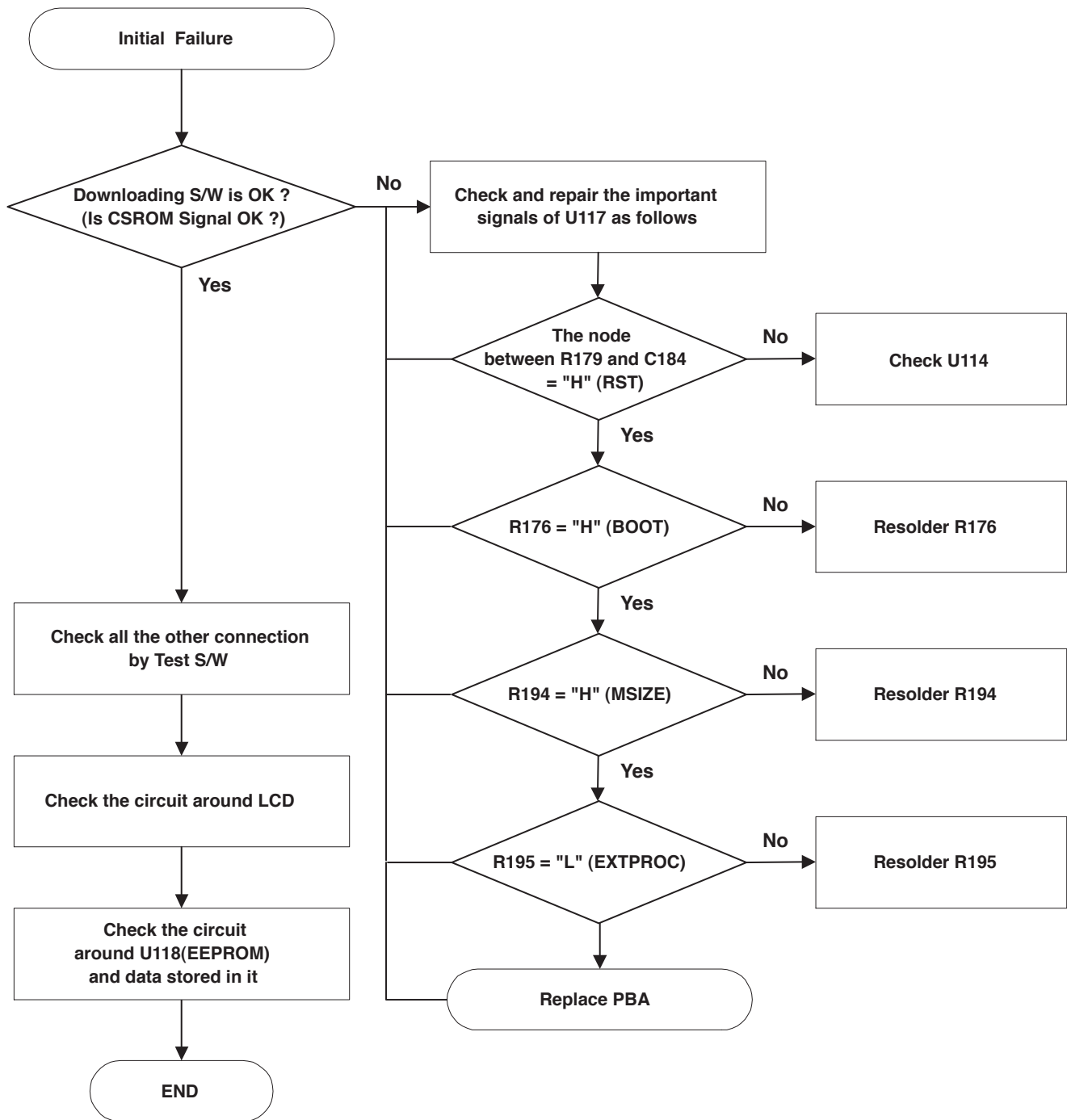
# 5. Flow chart of trouble shooting

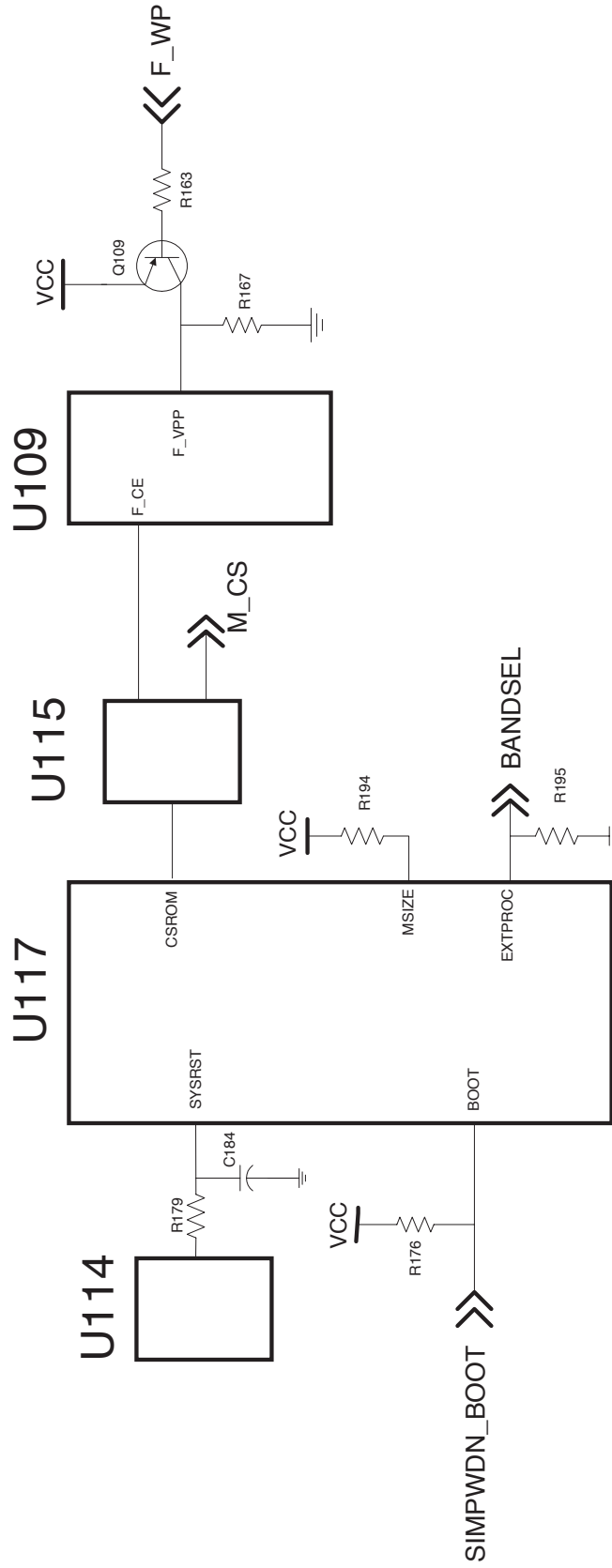
## 5-1 Power ON



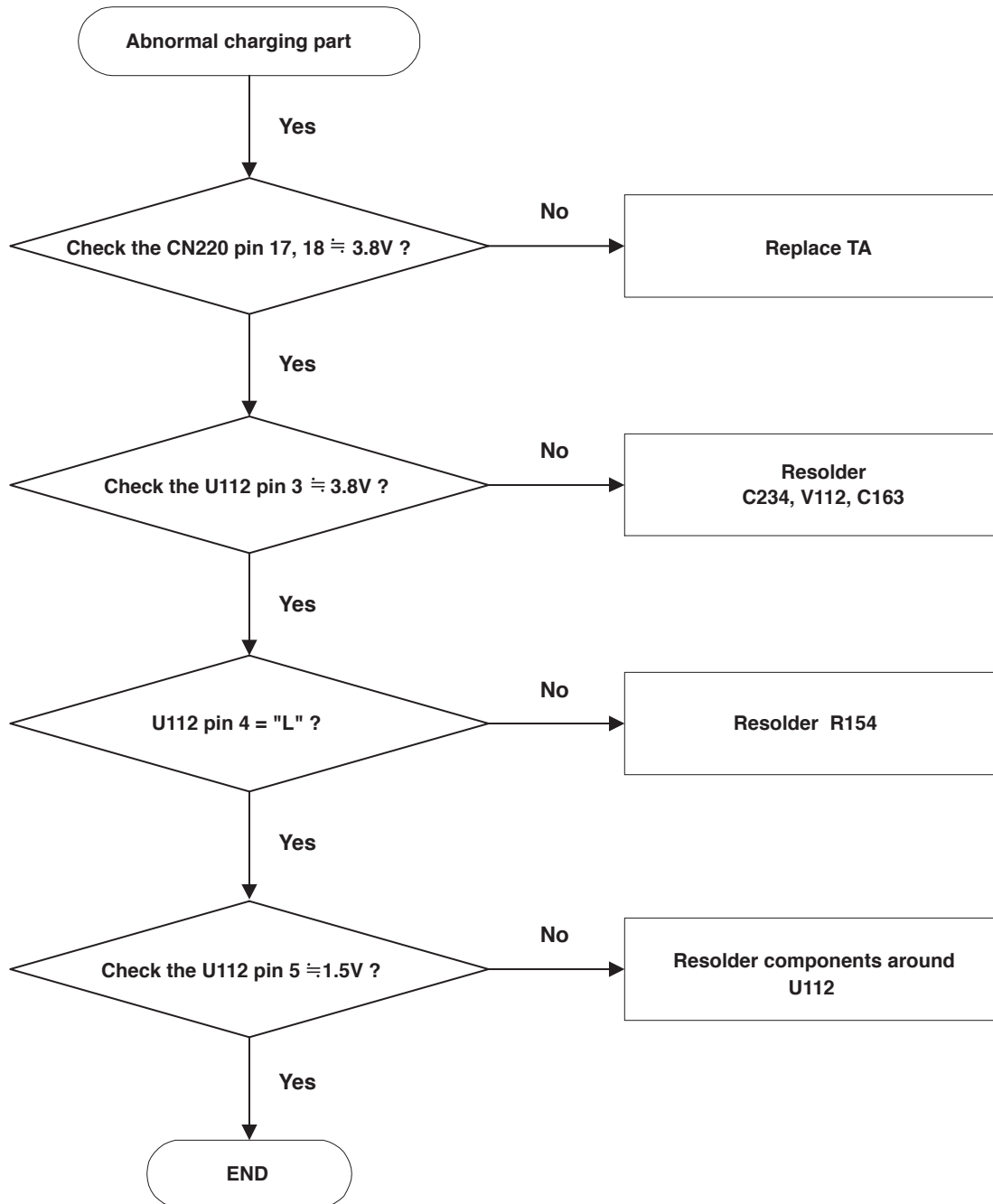


## 5-2 Initial





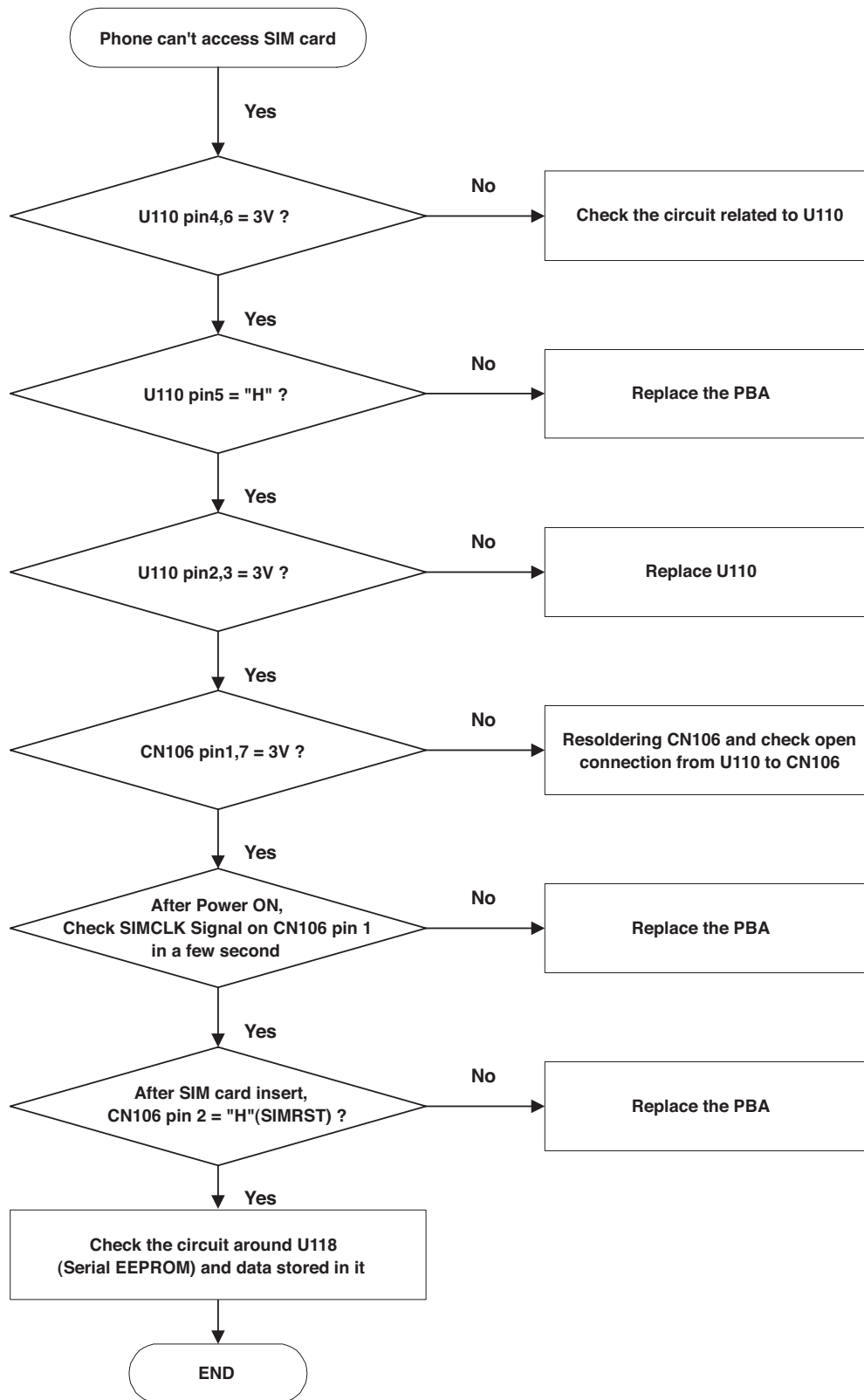
## 5-3 Charging Part

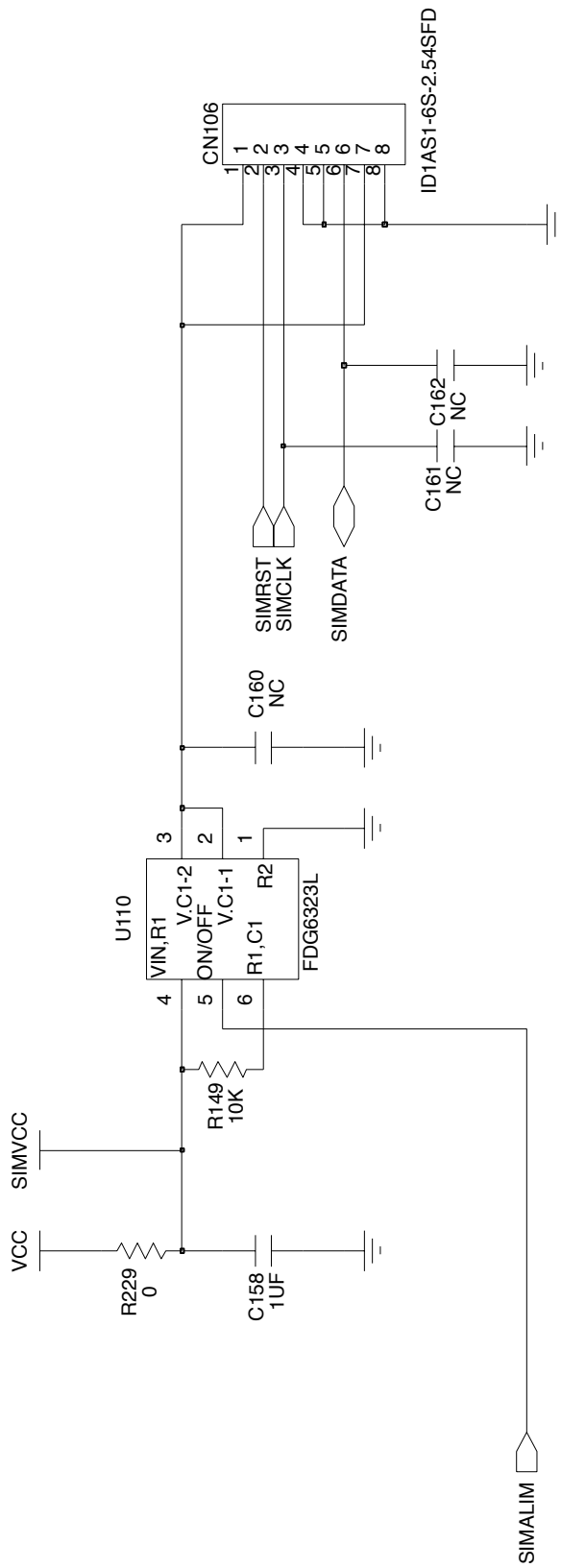




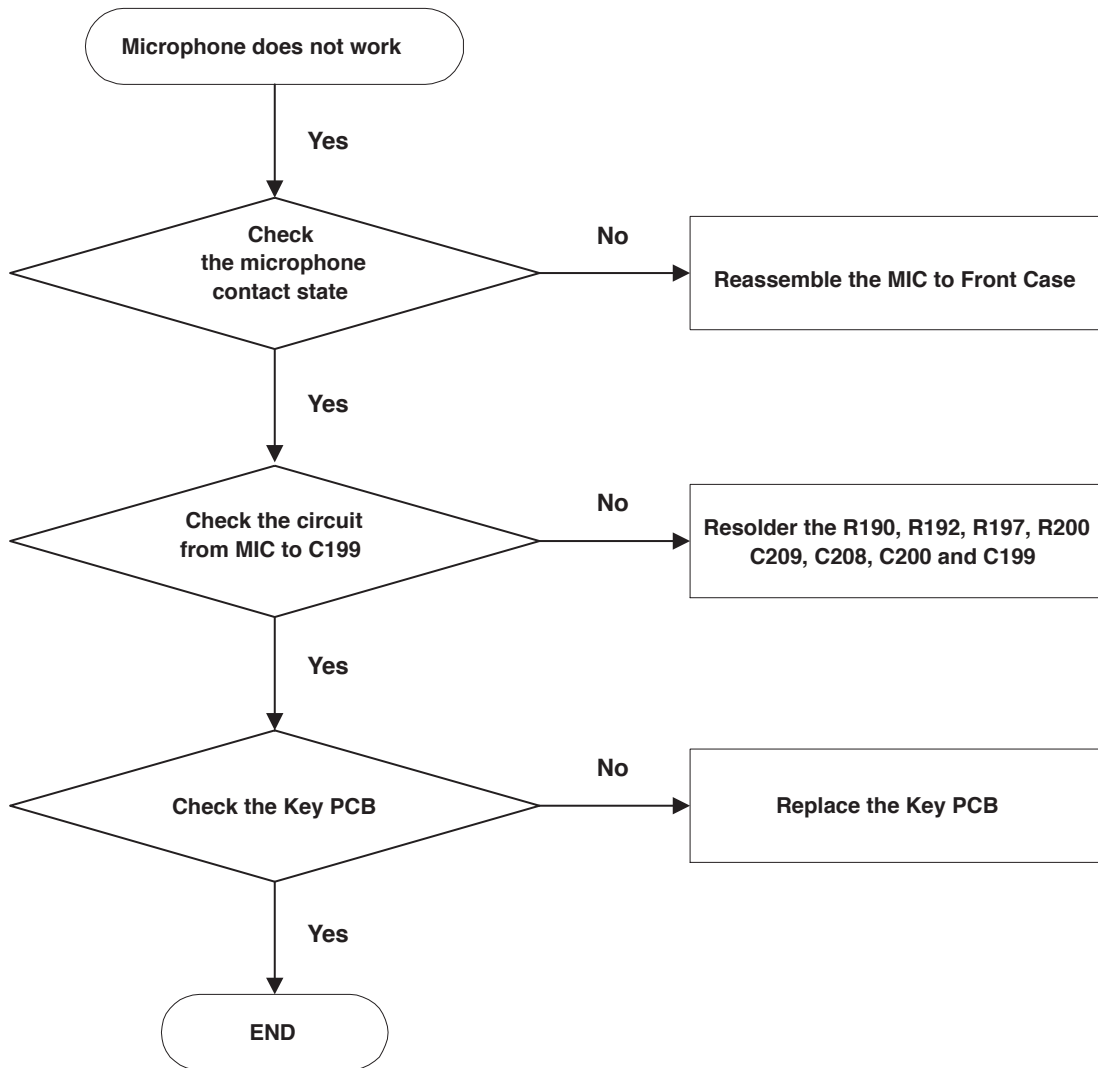


## 5-4 Sim Part

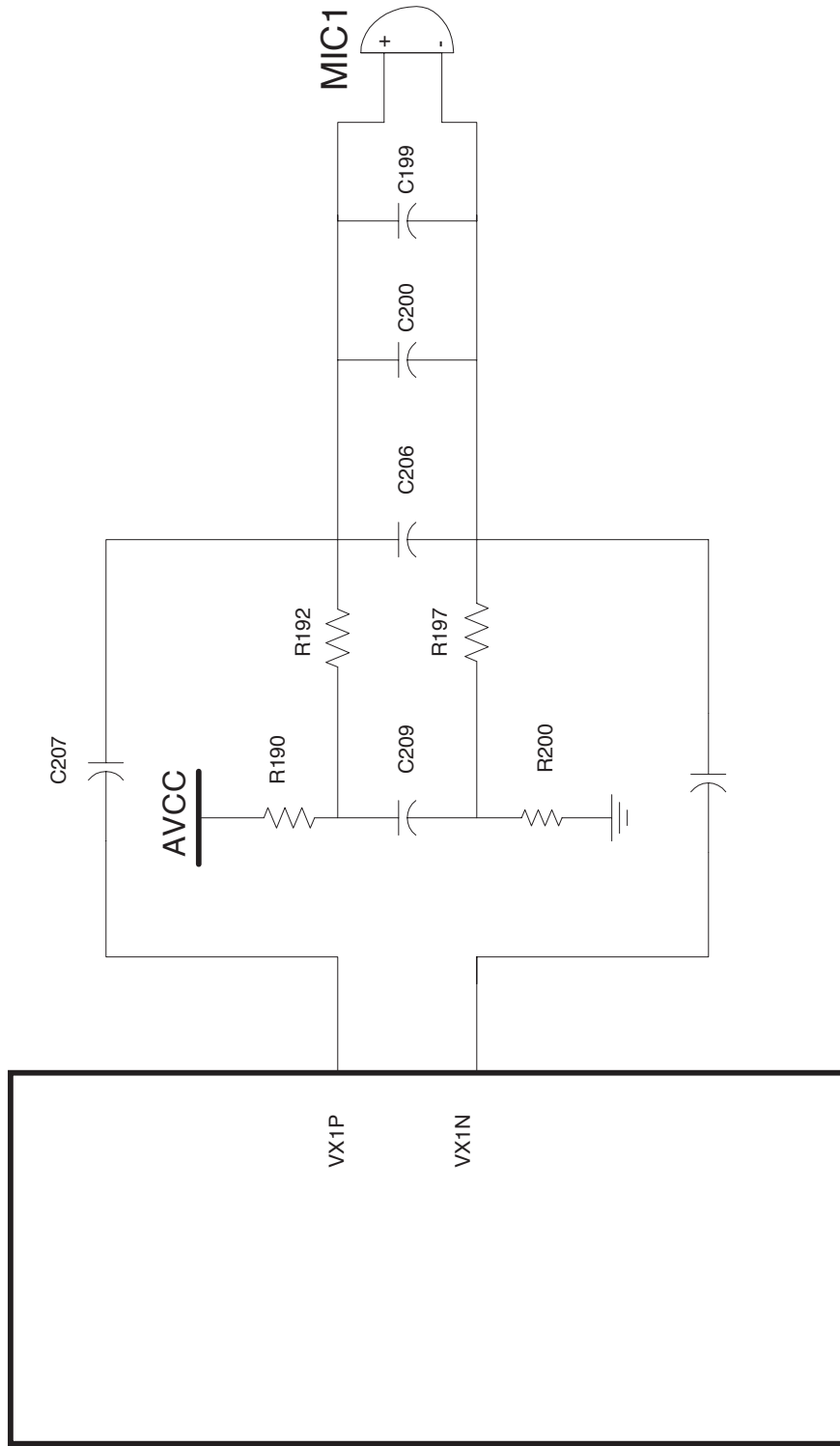




## 5-5 Microphone Part

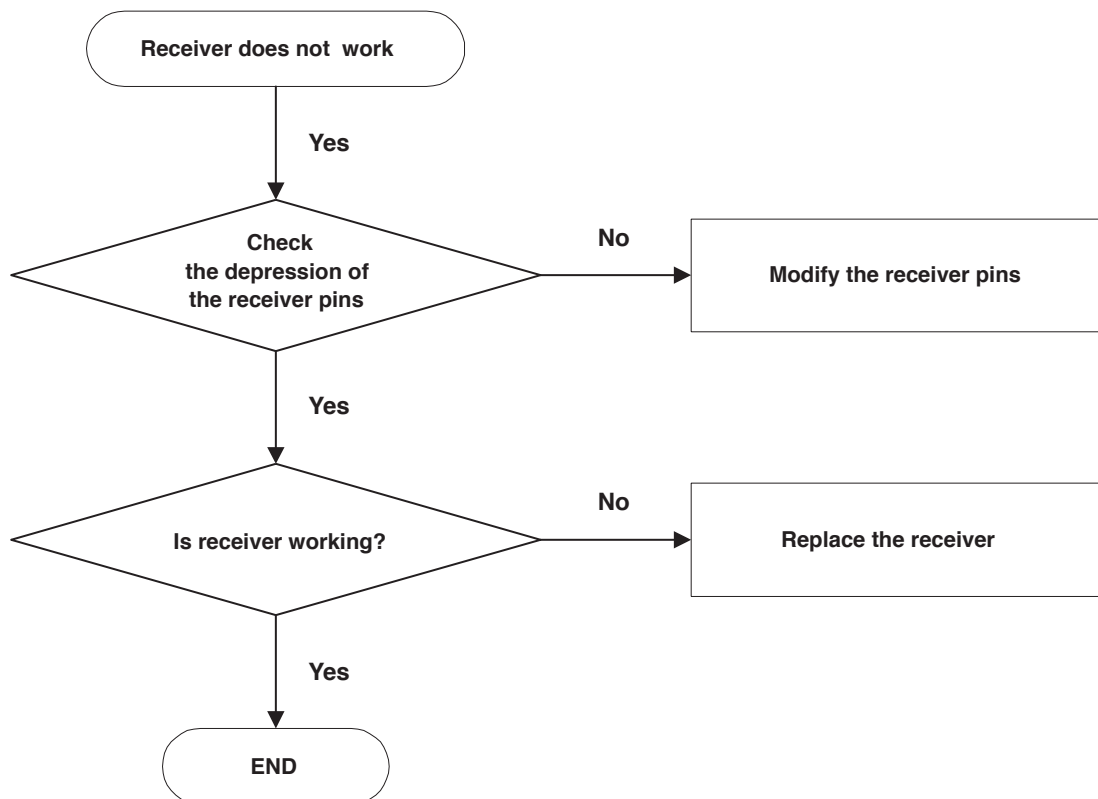


# U110

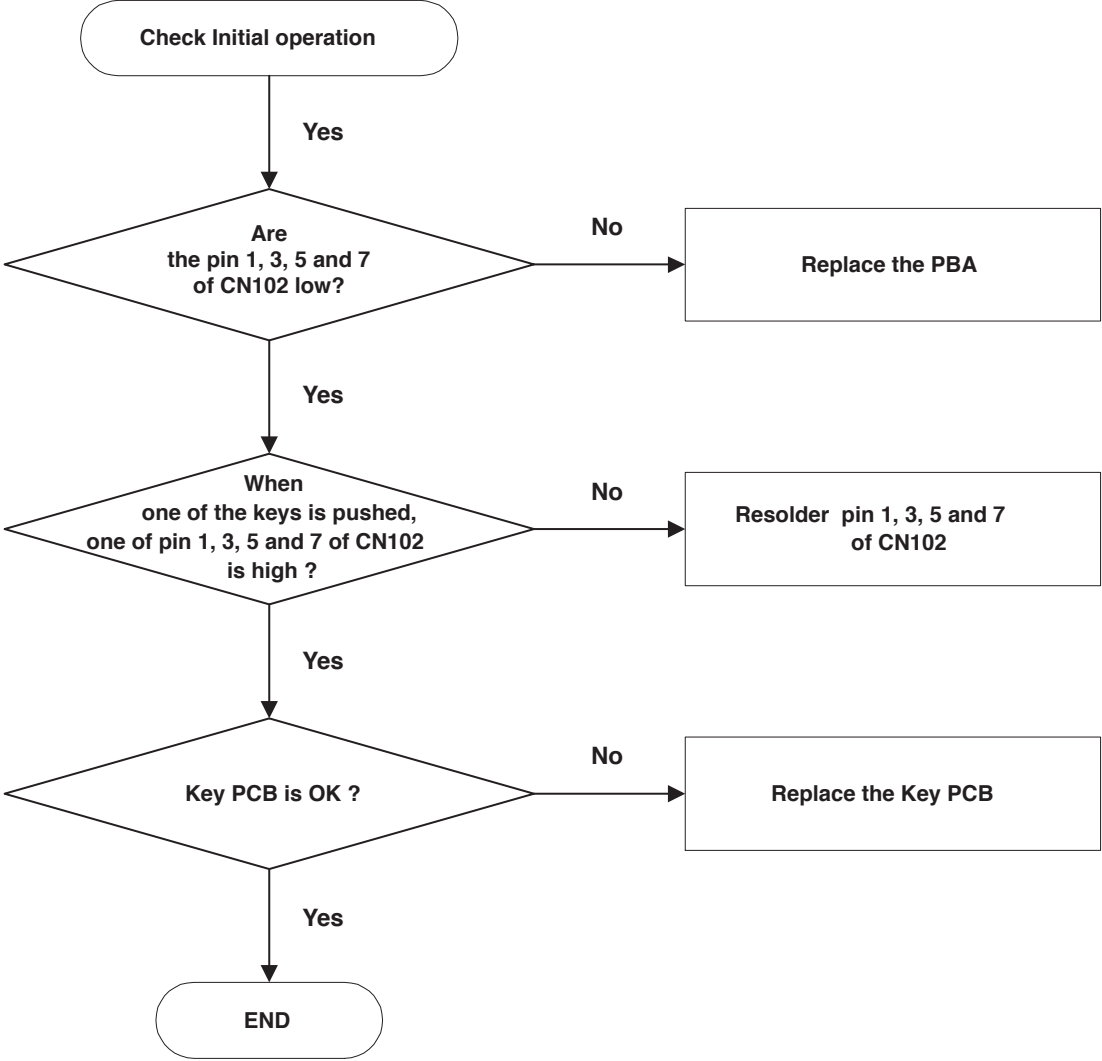


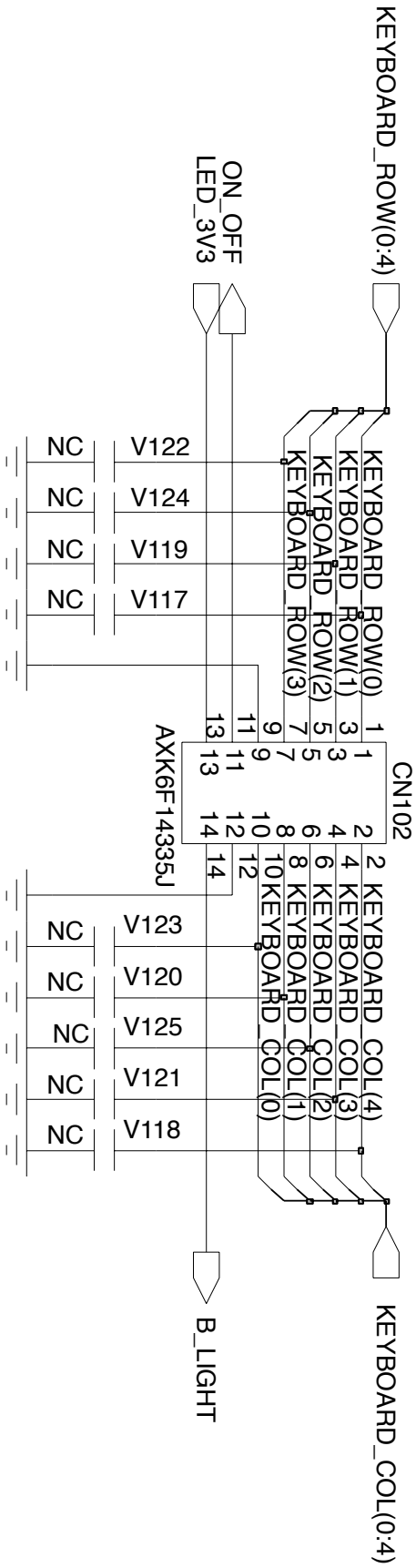
## 5-6 Receiver Part

---

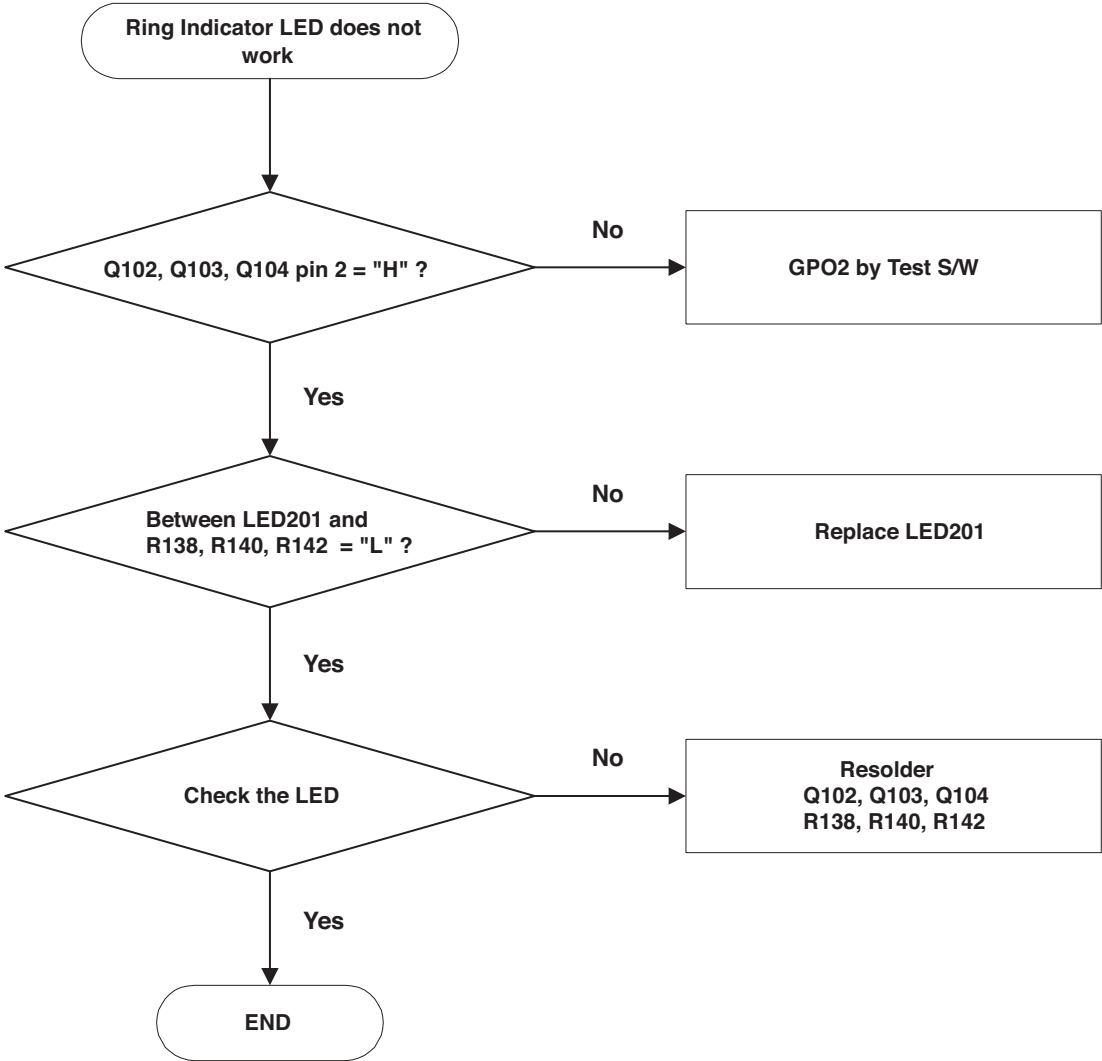


# 5-7 Key Data Input

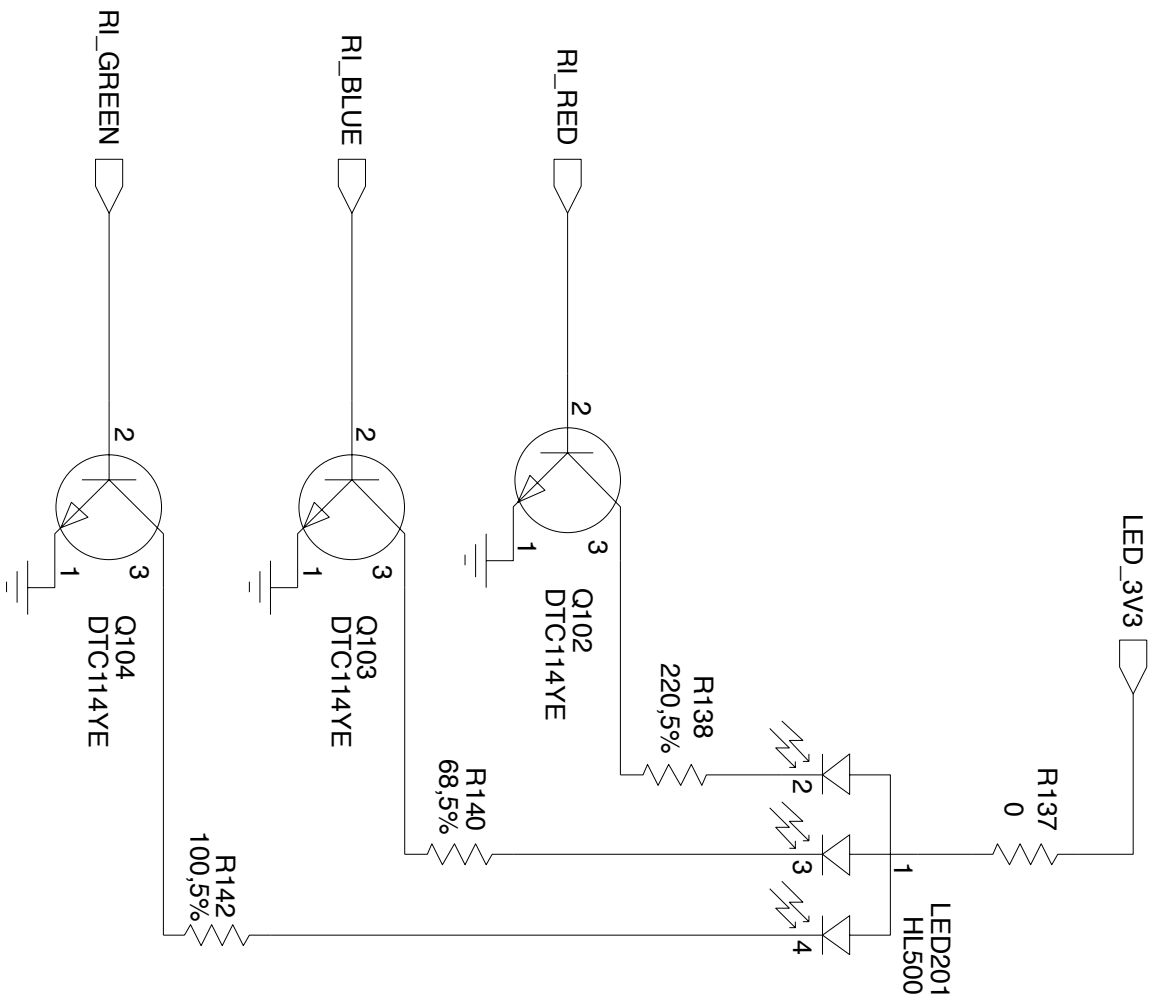




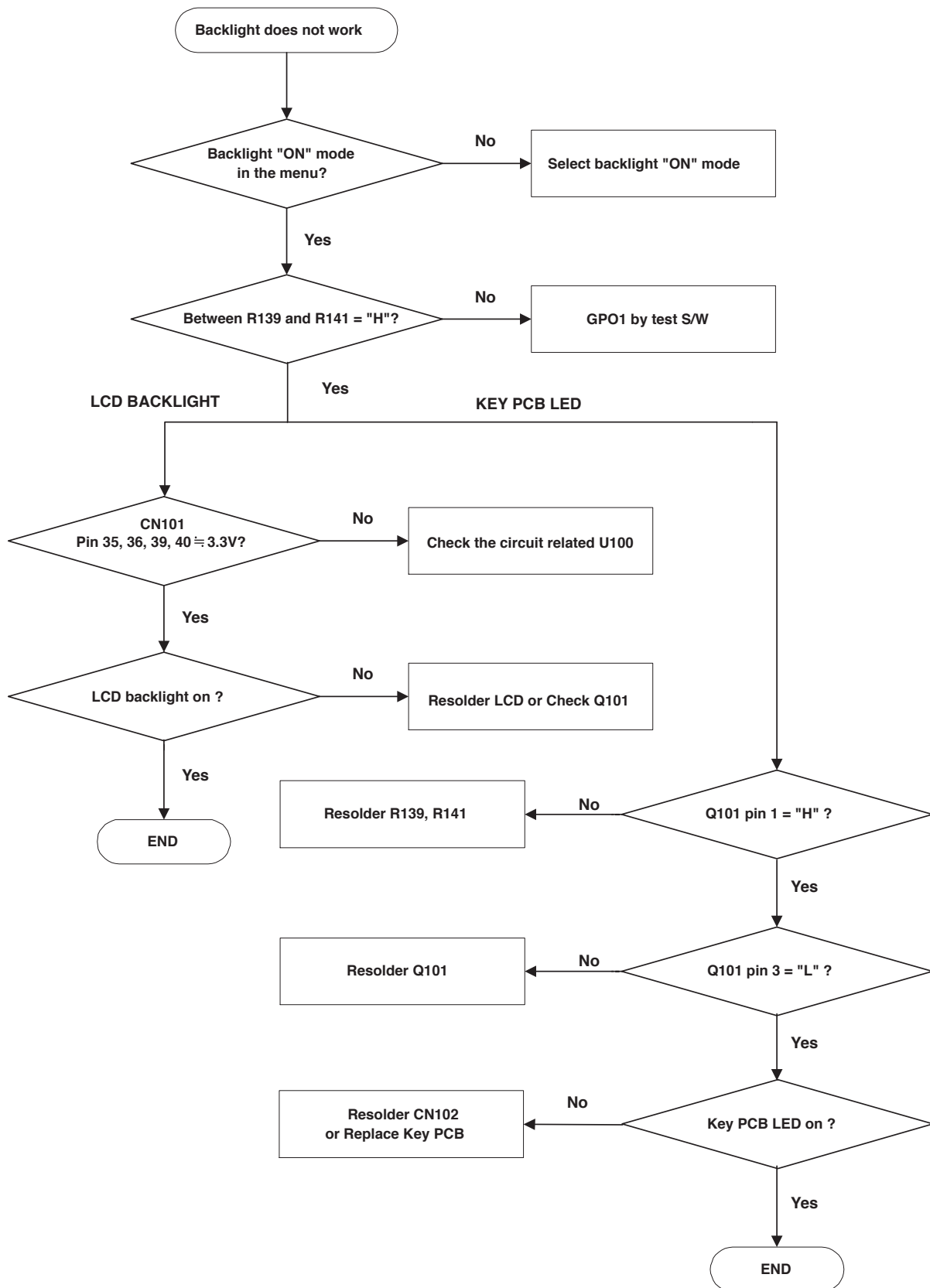
# 5-8 Ring Indicator

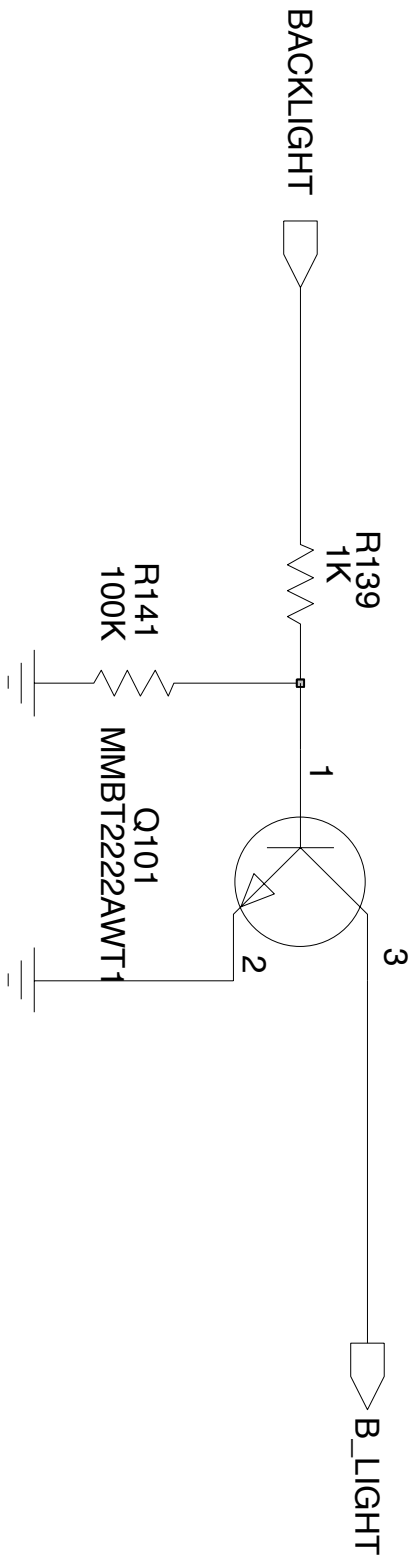




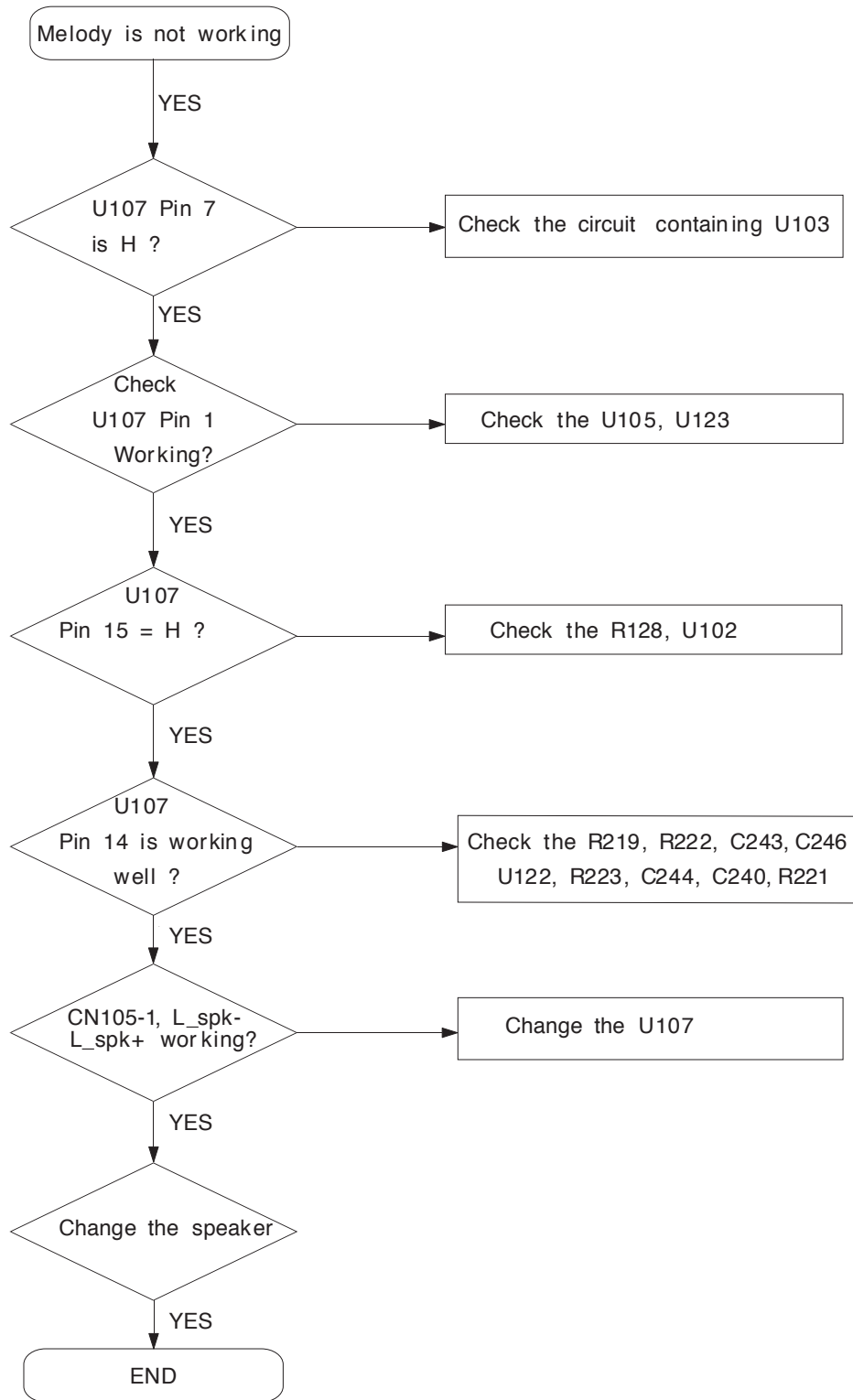


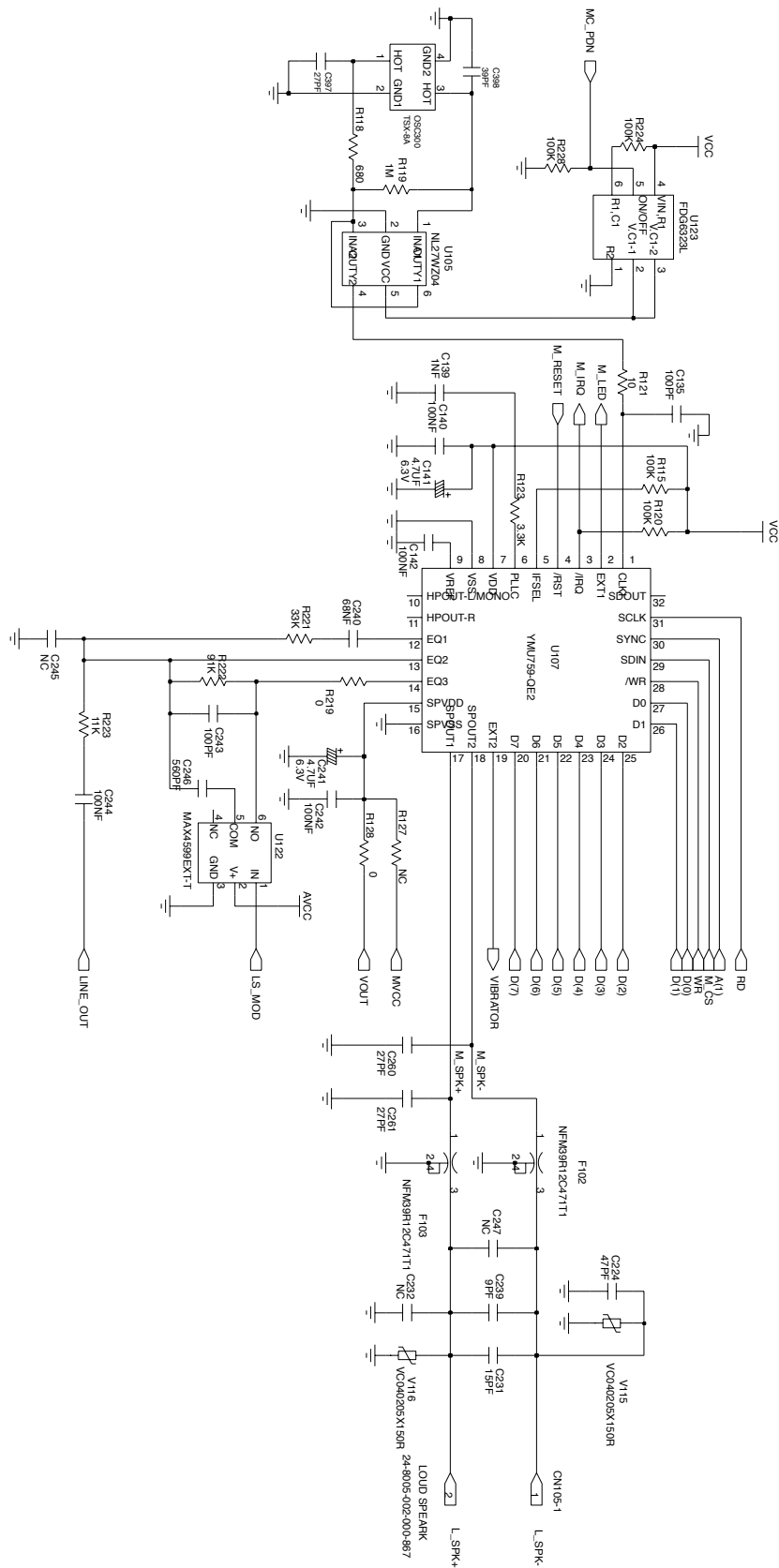
## 5-9 Back Light



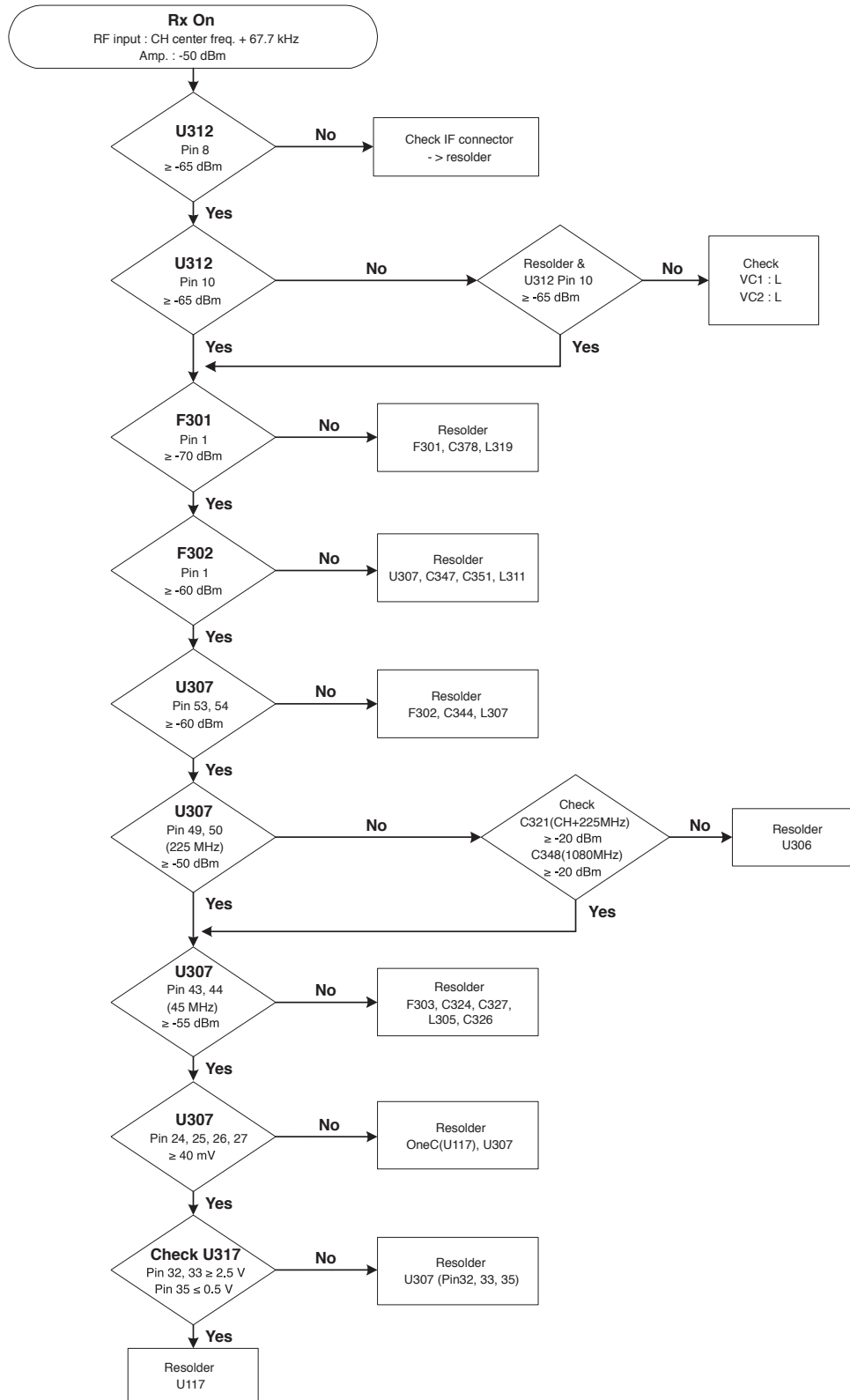


## 5-10 Melody Part

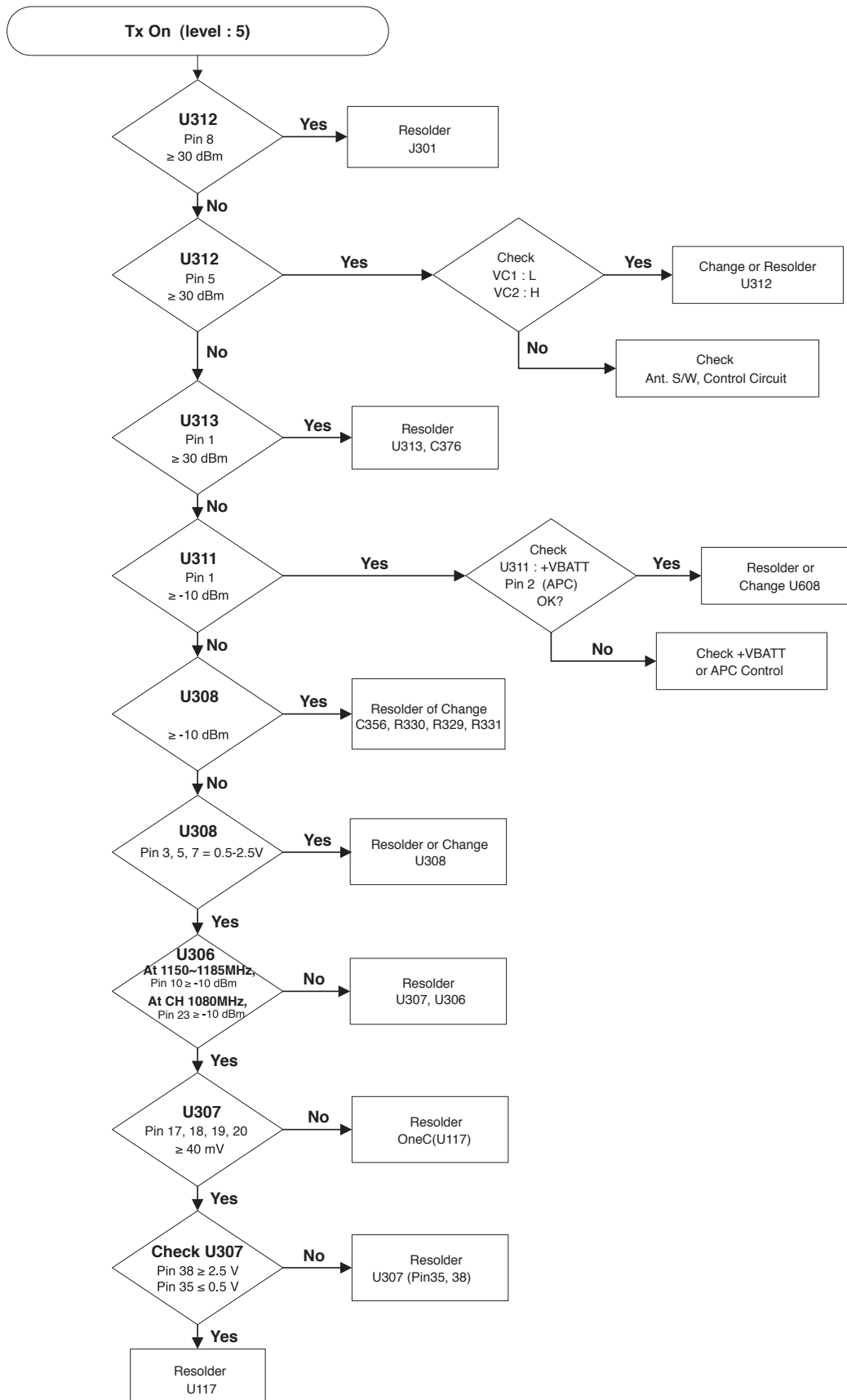




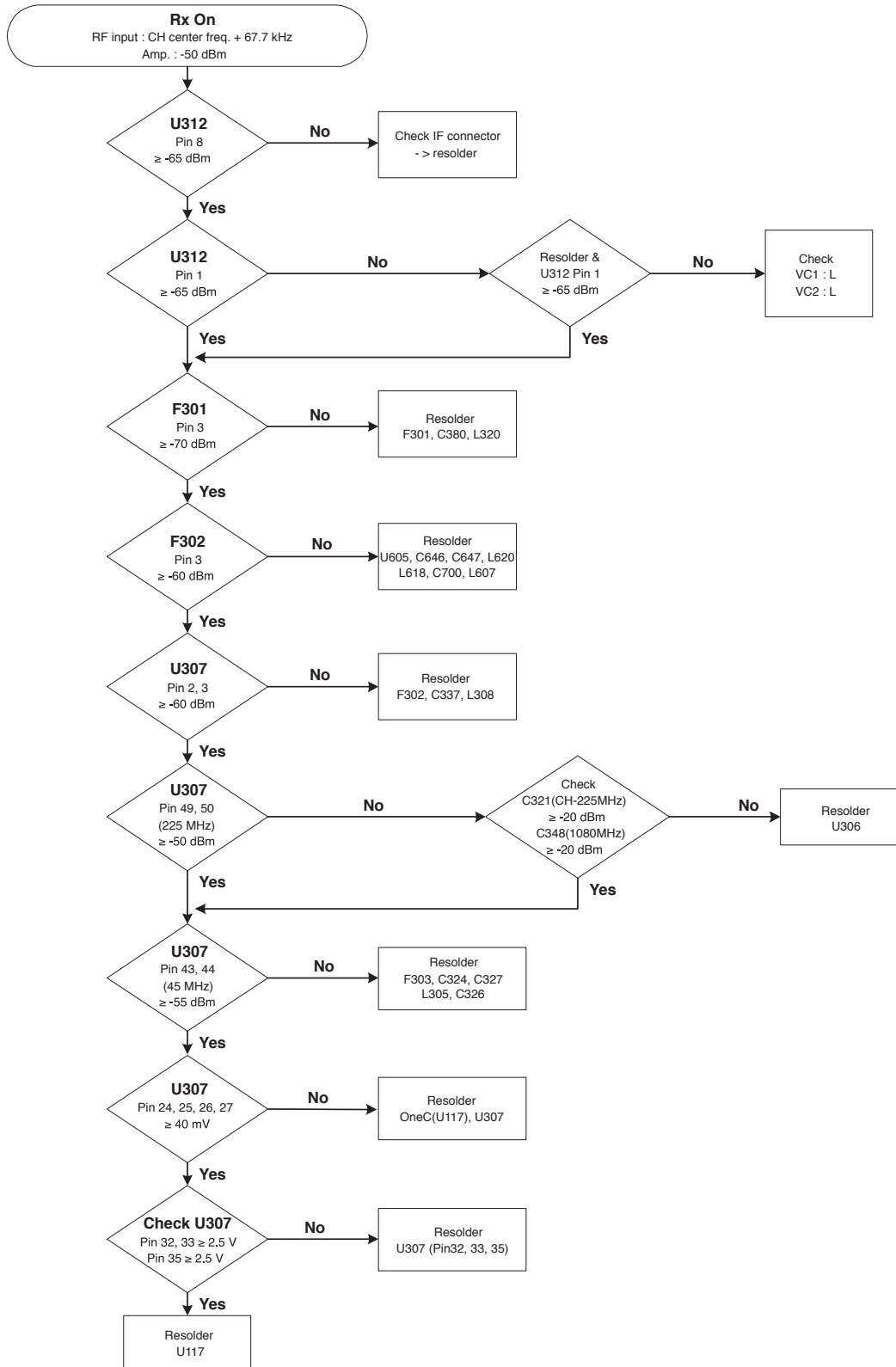
# 5-11 GSM Receiver



## 5-12 GSM Transmit

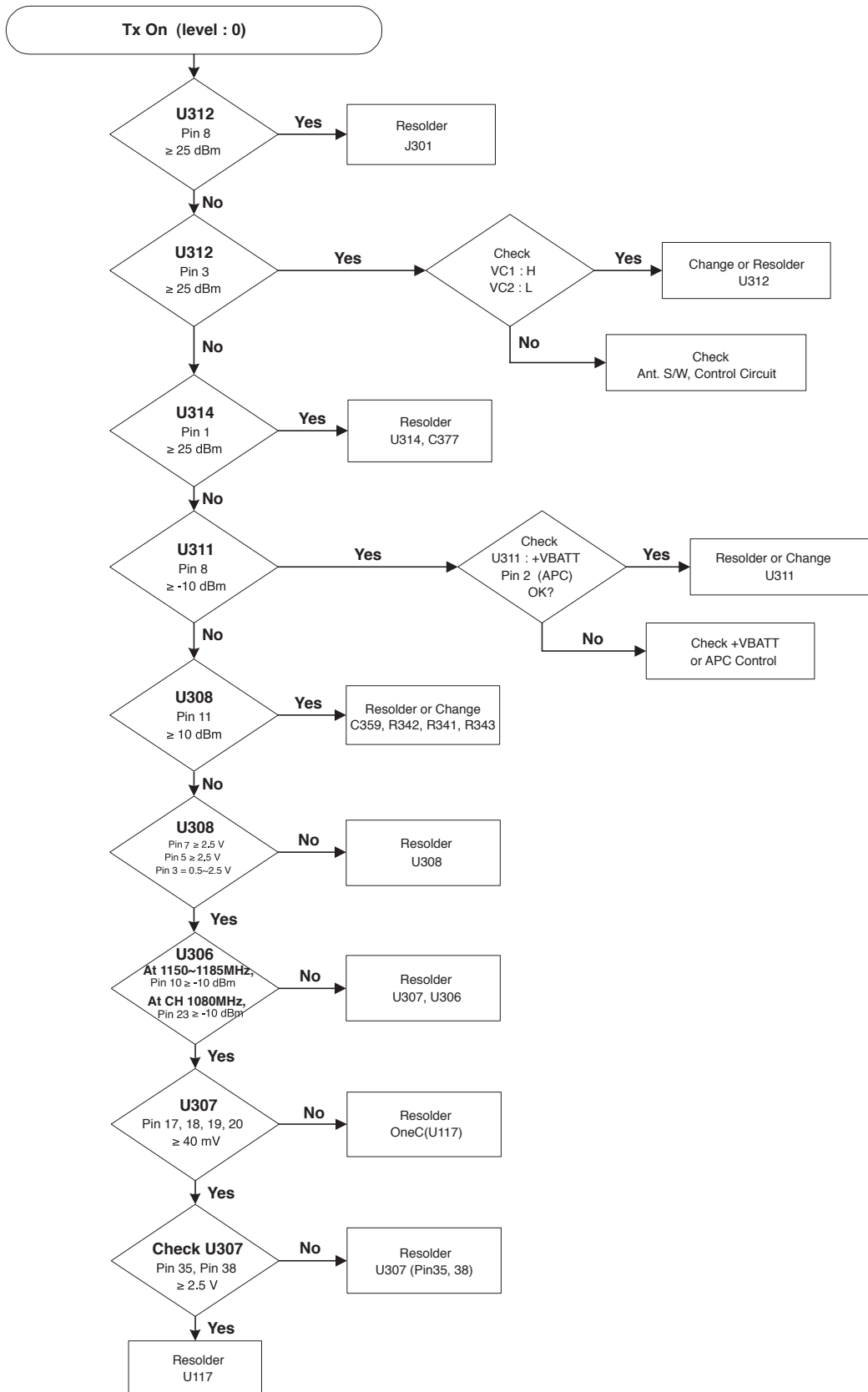


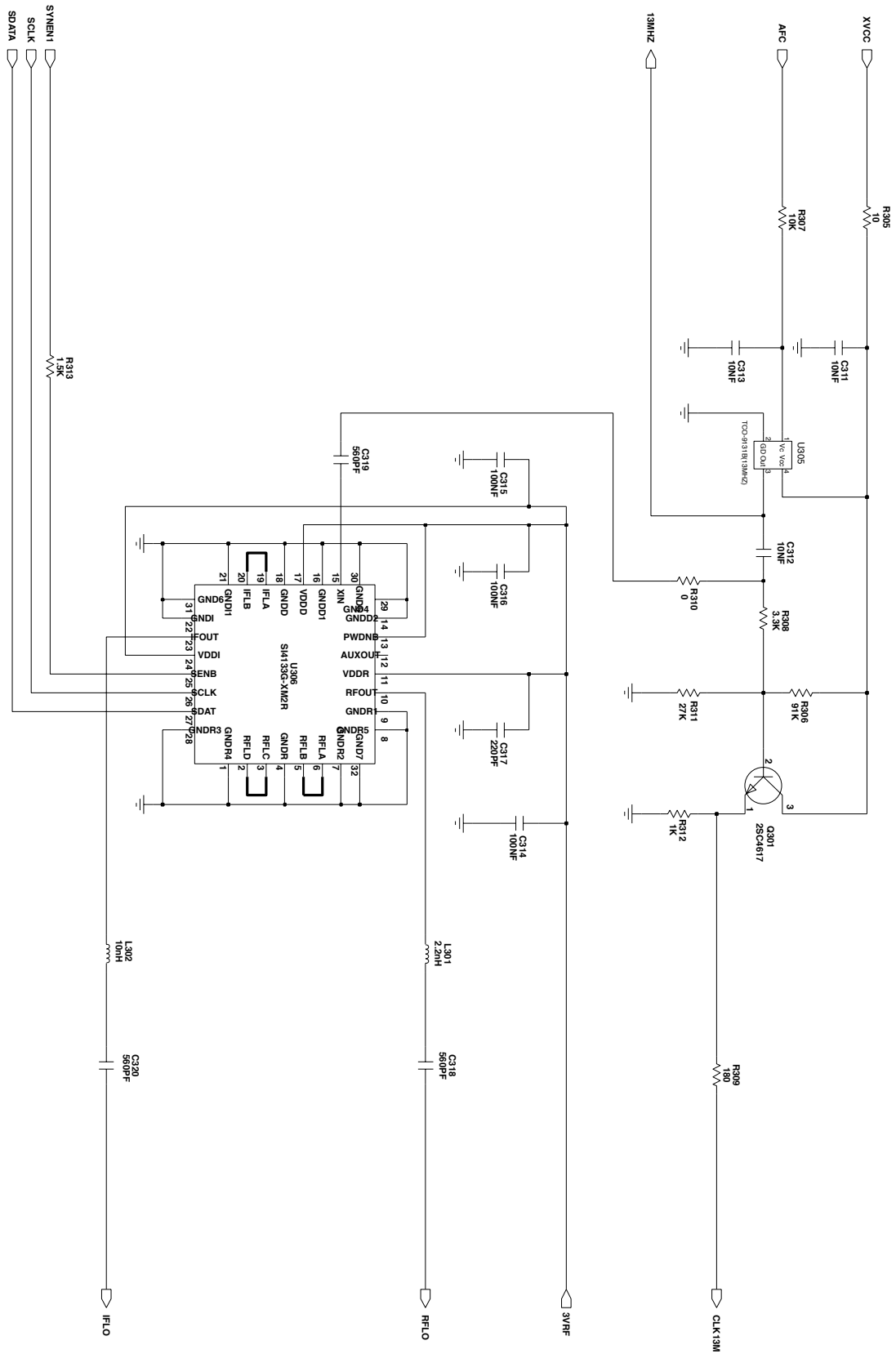
# 5-13 DCS Receiver



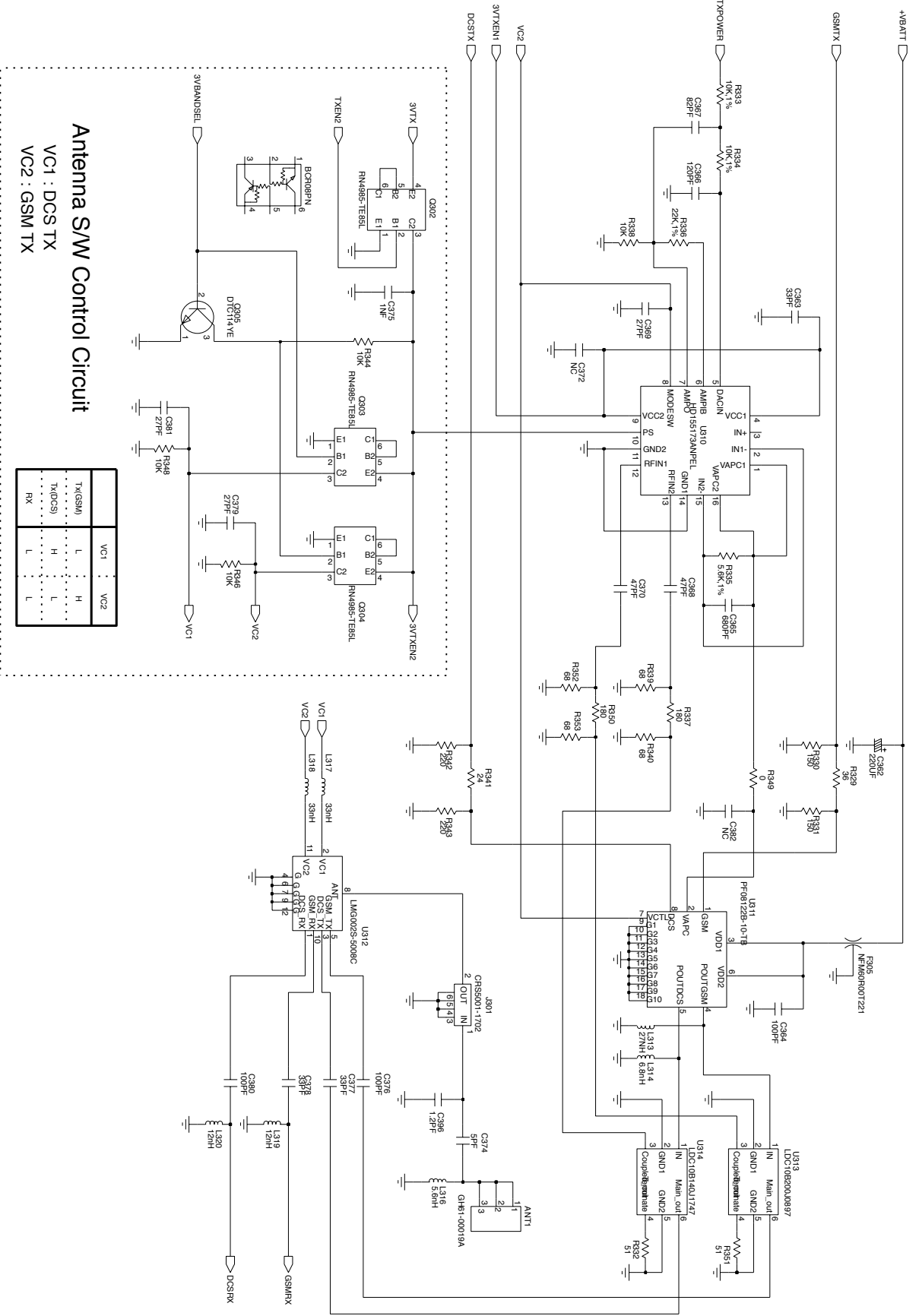


# 5-14 DCS Transmit









**Antenna S/W Control Circuit**

VC1 : DCS TX  
VC2 : GSM TX

	VC1	VC2
TX(GSM)	L	H
TX(DCS)	H	L
RX	L	L