

**4N25
4N37**

**4N26
H11A1**

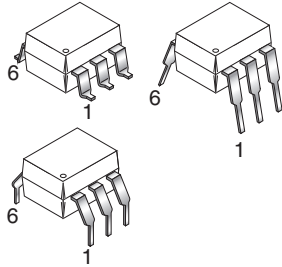
**4N27
H11A2**

**4N28
H11A3**

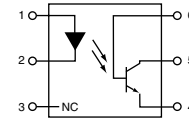
**4N35
H11A4**

**4N36
H11A5**

WHITE PACKAGE (-M SUFFIX)

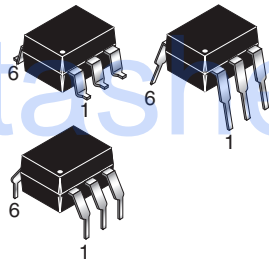


SCHEMATIC



PIN 1. ANODE
2. CATHODE
3. NO CONNECTION
4. EMITTER
5. COLLECTOR
6. BASE

BLACK PACKAGE (NO -M SUFFIX)



DESCRIPTION

The general purpose optocouplers consist of a gallium arsenide infrared emitting diode driving a silicon phototransistor in a 6-pin dual in-line package.

FEATURES

- Also available in white package by specifying -M suffix, eg. 4N25-M
- UL recognized (File # E90700)
- VDE recognized (File # 94766)
 - Add option V for white package (e.g., 4N25V-M)
 - Add option 300 for black package (e.g., 4N25.300)

APPLICATIONS

- Power supply regulators
- Digital logic inputs
- Microprocessor inputs

**4N25
4N37**

**4N26
H11A1**

**4N27
H11A2**

**4N28
H11A3**

**4N35
H11A4**

**4N36
H11A5**

ABSOLUTE MAXIMUM RATINGS ($T_A = 25^\circ\text{C}$ unless otherwise specified)			
Parameter	Symbol	Value	Units
TOTAL DEVICE			
Storage Temperature	T_{STG}	-55 to +150	$^\circ\text{C}$
Operating Temperature	T_{OPR}	-55 to +100	$^\circ\text{C}$
Lead Solder Temperature	T_{SOL}	260 for 10 sec	$^\circ\text{C}$
Total Device Power Dissipation @ $T_A = 25^\circ\text{C}$ Derate above 25°C	P_D	250 3.3 (non-M), 2.94 (-M)	mW
EMITTER			
DC/Average Forward Input Current	I_F	100 (non-M), 60 (-M)	mA
Reverse Input Voltage	V_R	6	V
Forward Current - Peak (300 μs , 2% Duty Cycle)	$I_{F(\text{pk})}$	3	A
LED Power Dissipation @ $T_A = 25^\circ\text{C}$ Derate above 25°C	P_D	150 (non-M), 120 (-M) 2.0 (non-M), 1.41 (-M)	mW mW/ $^\circ\text{C}$
DETECTOR			
Collector-Emitter Voltage	V_{CEO}	30	V
Collector-Base Voltage	V_{CBO}	70	V
Emitter-Collector Voltage	V_{ECO}	7	V
Detector Power Dissipation @ $T_A = 25^\circ\text{C}$ Derate above 25°C	P_D	150 2.0 (non-M), 1.76 (-M)	mW mW/ $^\circ\text{C}$

**4N25
4N37**

**4N26
H11A1**

**4N27
H11A2**

**4N28
H11A3**

**4N35
H11A4**

**4N36
H11A5**

ELECTRICAL CHARACTERISTICS ($T_A = 25^\circ\text{C}$ unless otherwise specified)

INDIVIDUAL COMPONENT CHARACTERISTICS

Parameter	Test Conditions	Symbol	Min	Typ*	Max	Unit
EMITTER						
Input Forward Voltage	($I_F = 10 \text{ mA}$)	V_F		1.18	1.50	V
Reverse Leakage Current	($V_R = 6.0 \text{ V}$)	I_R		0.001	10	μA
DETECTOR						
Collector-Emitter Breakdown Voltage	($I_C = 1.0 \text{ mA}, I_F = 0$)	BV_{CEO}	30	100		V
Collector-Base Breakdown Voltage	($I_C = 100 \mu\text{A}, I_F = 0$)	BV_{CBO}	70	120		V
Emitter-Collector Breakdown Voltage	($I_E = 100 \mu\text{A}, I_F = 0$)	BV_{ECO}	7	10		V
Collector-Emitter Dark Current	($V_{CE} = 10 \text{ V}, I_F = 0$)	I_{CEO}		1	50	nA
Collector-Base Dark Current	($V_{CB} = 10 \text{ V}$)	I_{CBO}			20	nA
Capacitance	($V_{CE} = 0 \text{ V}, f = 1 \text{ MHz}$)	C_{CE}		8		pF

ISOLATION CHARACTERISTICS

Characteristic	Test Conditions	Symbol	Min	Typ*	Max	Units
Input-Output Isolation Voltage	(Non '-M', Black Package) ($f = 60 \text{ Hz}, t = 1 \text{ min}$)	V_{ISO}	5300			Vac(rms)
	('M', White Package) ($f = 60 \text{ Hz}, t = 1 \text{ sec}$)		7500			Vac(pk)
Isolation Resistance	($V_{I-O} = 500 \text{ VDC}$)	R_{ISO}	10^{11}			Ω
Isolation Capacitance	($V_{I-O} = \&, f = 1 \text{ MHz}$)	C_{ISO}		0.5		pF
	('M' White Package)			0.2	2	pF

Note

* Typical values at $T_A = 25^\circ\text{C}$

**4N25
4N37**

**4N26
H11A1**

**4N27
H11A2**

**4N28
H11A3**

**4N35
H11A4**

**4N36
H11A5**

TRANSFER CHARACTERISTICS ($T_A = 25^\circ\text{C}$ Unless otherwise specified.)

DC Characteristic	Test Conditions	Symbol	Device	Min	Typ*	Max	Unit
Current Transfer Ratio, Collector to Emitter	$(I_F = 10 \text{ mA}, V_{CE} = 10 \text{ V})$	CTR	4N35 4N36 4N37	100			%
			H11A1	50			
			H11A5	30			
	4N25 4N26 H11A2 H11A3		20				
	4N27 4N28 H11A4		10				
	4N35 4N36 4N37		40				
	$(I_F = 10 \text{ mA}, V_{CE} = 10 \text{ V}, T_A = -55^\circ\text{C})$		40				
	$(I_F = 10 \text{ mA}, V_{CE} = 10 \text{ V}, T_A = +100^\circ\text{C})$		40				
Collector-Emitter Saturation Voltage	$(I_C = 2 \text{ mA}, I_F = 50 \text{ mA})$	$V_{CE(SAT)}$	4N25 4N26 4N27 4N28			0.5	V
	$(I_C = 0.5 \text{ mA}, I_F = 10 \text{ mA})$		4N35 4N36 4N37			0.3	
			H11A1 H11A2 H11A3 H11A4 H11A5			0.4	
AC Characteristic							
Non-Saturated Turn-on Time	$(I_F = 10 \text{ mA}, V_{CC} = 10 \text{ V}, R_L = 100\Omega)$ (Fig.20)	T_{ON}	4N25 4N26 4N27 4N28 H11A1 H11A2 H11A3 H11A4 H11A5		2		μs
Non Saturated Turn-on Time	$(I_C = 2 \text{ mA}, V_{CC} = 10 \text{ V}, R_L = 100\Omega)$ (Fig.20)	T_{ON}	4N35 4N36 4N37		2	10	μs

**4N25
4N37**

**4N26
H11A1**

**4N27
H11A2**

**4N28
H11A3**

**4N35
H11A4**

**4N36
H11A5**

TRANSFER CHARACTERISTICS ($T_A = 25^\circ\text{C}$ Unless otherwise specified.) (Continued)

AC Characteristic	Test Conditions	Symbol	Device	Min	Typ*	Max	Unit
Turn-off Time	($I_F = 10 \text{ mA}$, $V_{CC} = 10 \text{ V}$, $R_L = 100\Omega$) (Fig.20)	T_{OFF}	4N25 4N26 4N27 4N28 H11A1 H11A2 H11A3 H11A4 H11A5		2		μs
	($I_C = 2 \text{ mA}$, $V_{CC} = 10 \text{ V}$, $R_L = 100\Omega$) (Fig.20)		4N35 4N36 4N37		2	10	

* Typical values at $T_A = 25^\circ\text{C}$

**4N25
4N37**

**4N26
H11A1**

**4N27
H11A2**

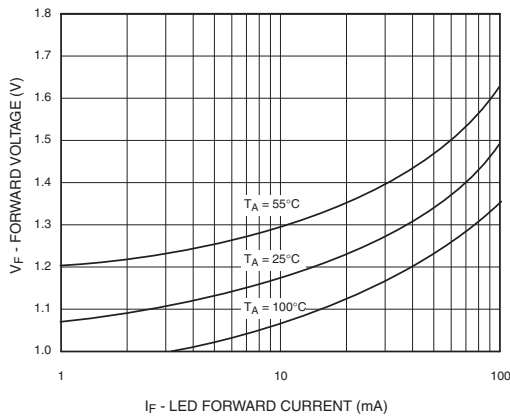
**4N28
H11A3**

**4N35
H11A4**

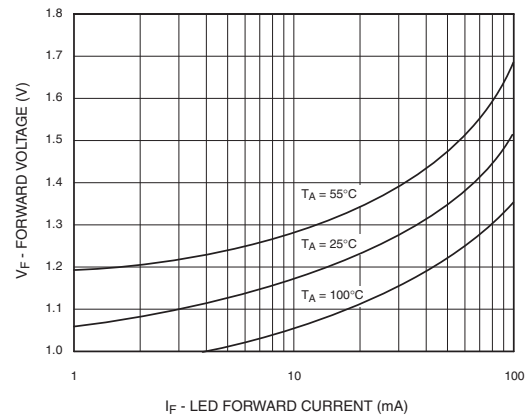
**4N36
H11A5**

TYPICAL PERFORMANCE CURVES

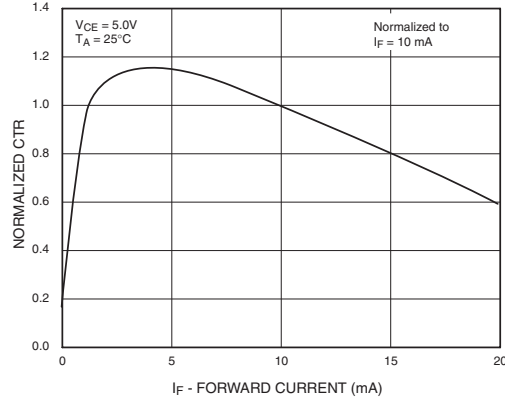
**Fig. 1 LED Forward Voltage vs. Forward Current
(Black Package)**



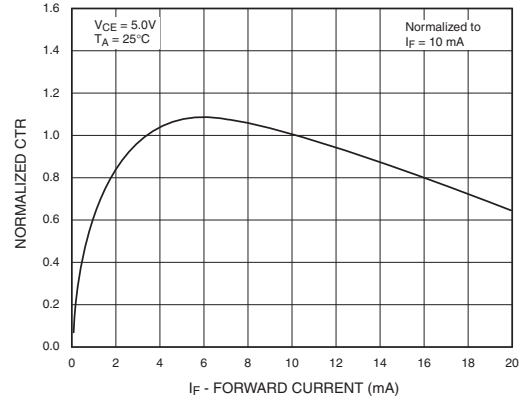
**Fig. 2 LED Forward Voltage vs. Forward Current
(White Package)**



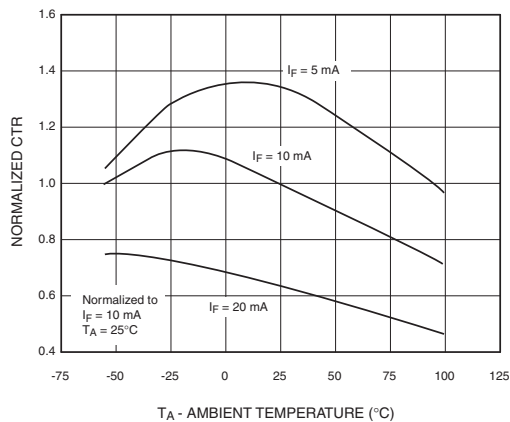
**Fig.3 Normalized CTR vs. Forward Current
(Black Package)**



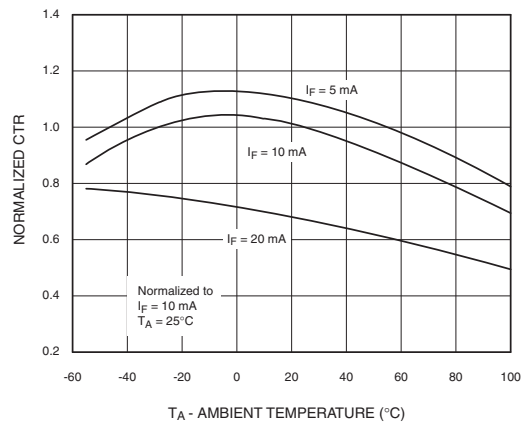
**Fig.4 Normalized CTR vs. Forward Current
(White Package)**



**Fig. 5 Normalized CTR vs. Ambient Temperature
(Black Package)**



**Fig. 6 Normalized CTR vs. Ambient Temperature
(White Package)**



**4N25
4N37**

**4N26
H11A1**

**4N27
H11A2**

**4N28
H11A3**

**4N35
H11A4**

**4N36
H11A5**

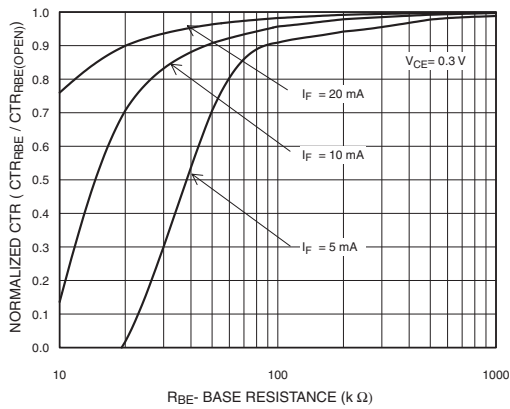
**Fig. 7 CTR vs. RBE (Unsaturated)
(Black Package)**



**Fig. 8 CTR vs. RBE (Unsaturated)
(White Package)**



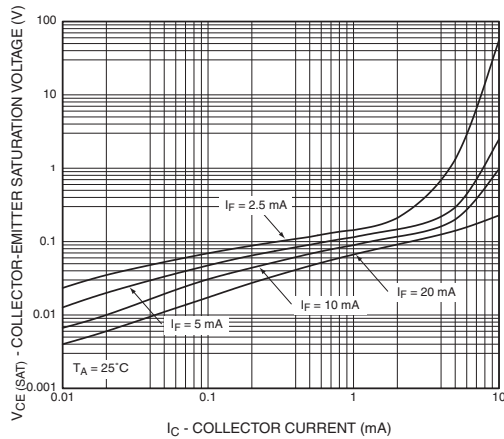
**Fig. 9 CTR vs. RBE (Saturated)
(Black Package)**



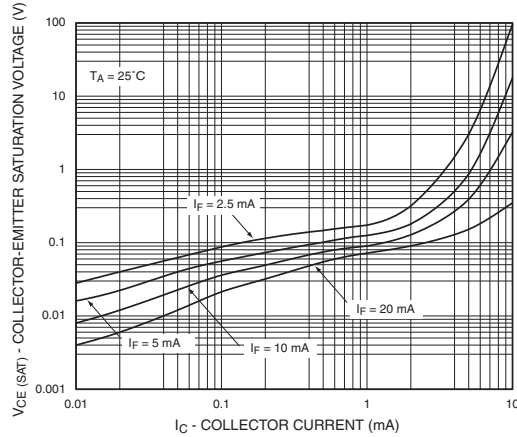
**Fig. 10 CTR vs. RBE (Saturated)
(White Package)**



**Fig. 11 Collector-Emitter Saturation Voltage vs. Collector Current
(Black Package)**



**Fig. 12 Collector-Emitter Saturation Voltage vs. Collector Current
(White Package)**



**4N25
4N37**

**4N26
H11A1**

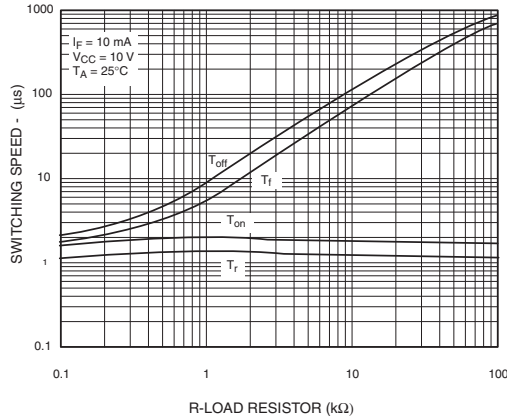
**4N27
H11A2**

**4N28
H11A3**

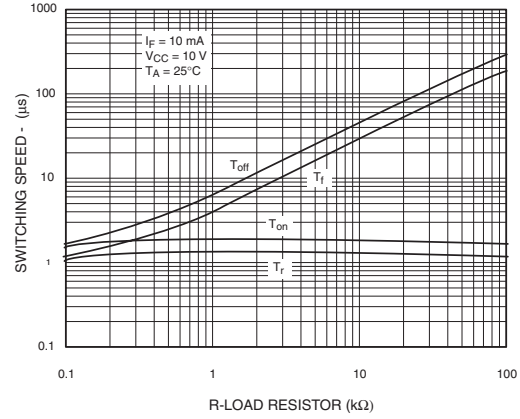
**4N35
H11A4**

**4N36
H11A5**

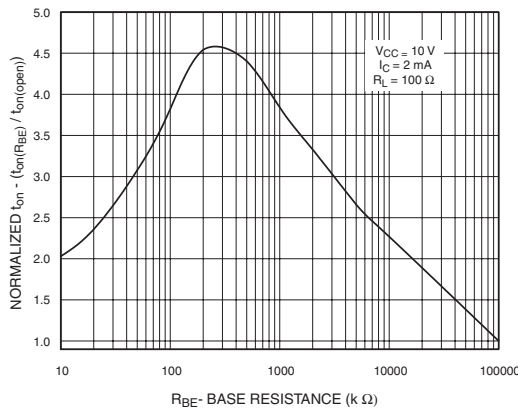
**Fig. 13 Switching Speed vs. Load Resistor
(Black Package)**



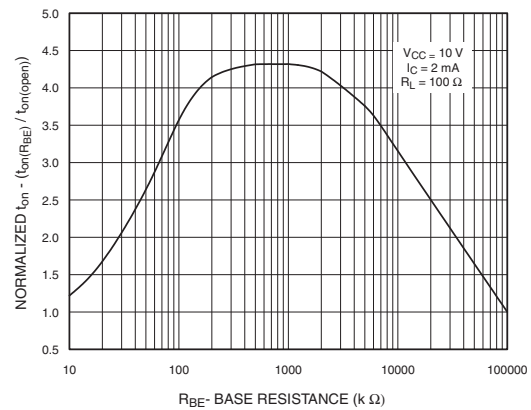
**Fig. 14 Switching Speed vs. Load Resistor
(White Package)**



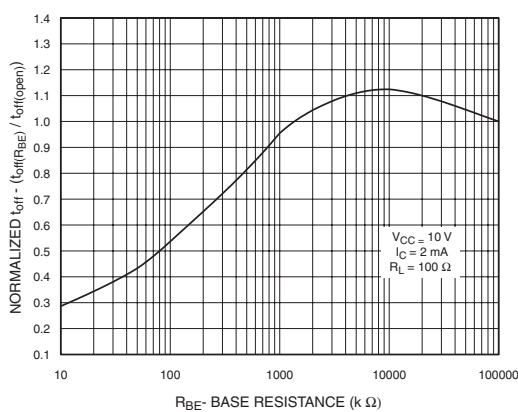
**Fig. 15 Normalized t_{on} vs. R_{BE}
(Black Package)**



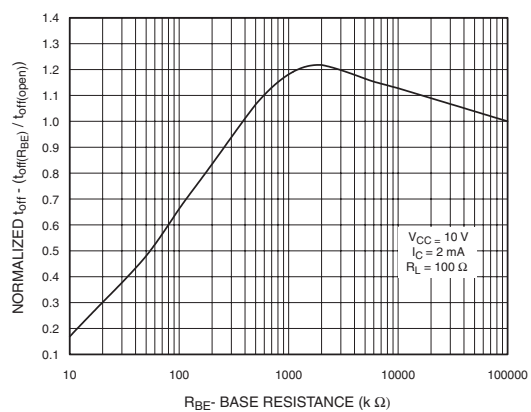
**Fig. 16 Normalized t_{on} vs. R_{BE}
(White Package)**



**Fig. 17 Normalized t_{off} vs. R_{BE}
(Black Package)**



**Fig. 18 Normalized t_{off} vs. R_{BE}
(White Package)**



4N25
4N37

4N26
H11A1

4N27
H11A2

4N28
H11A3

4N35
H11A4

4N36
H11A5

Fig. 19 Dark Current vs. Ambient Temperature

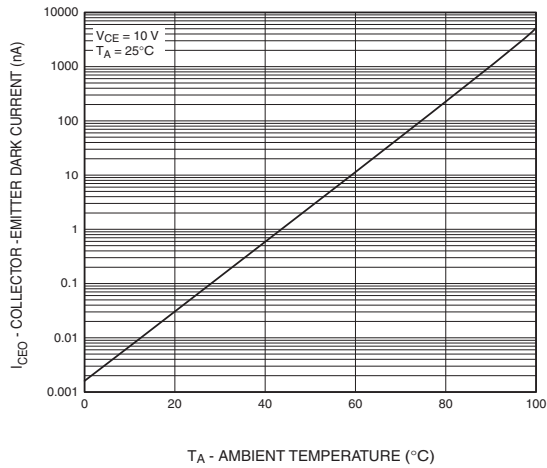


Figure 20. Switching Time Test Circuit and Waveforms

4N25
4N37

4N26
H11A1

4N27
H11A2

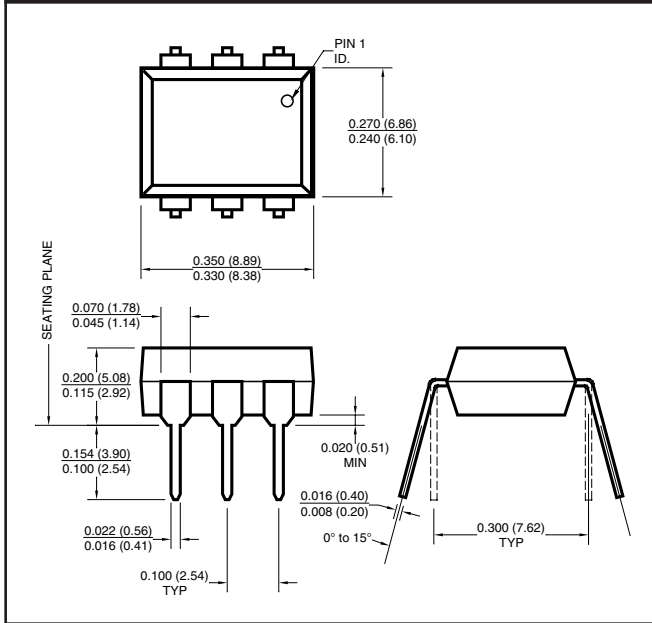
4N28
H11A3

4N35
H11A4

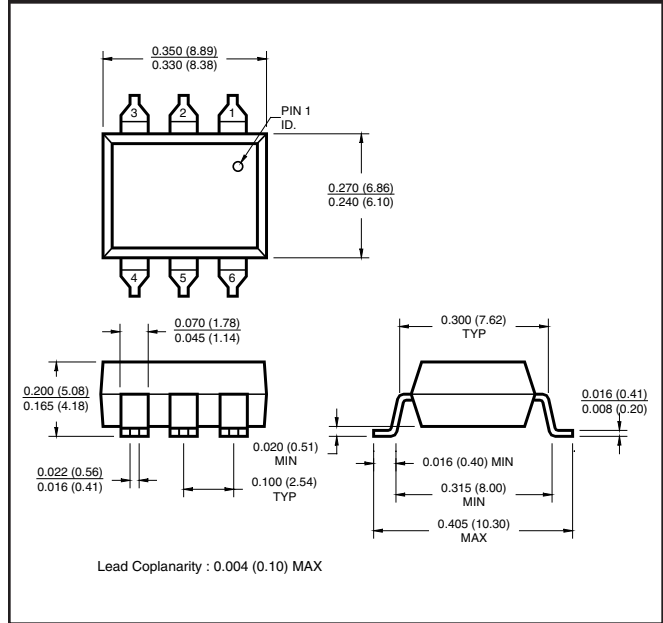
4N36
H11A5

Black Package (No -M Suffix)

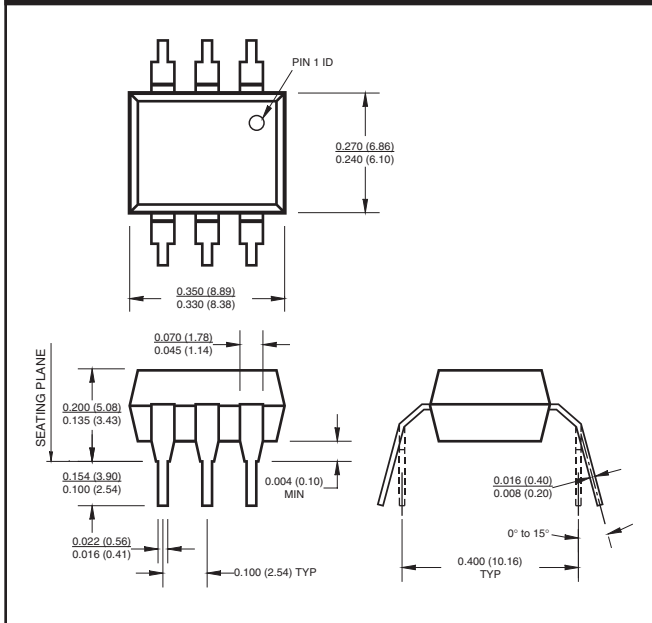
Package Dimensions (Through Hole)



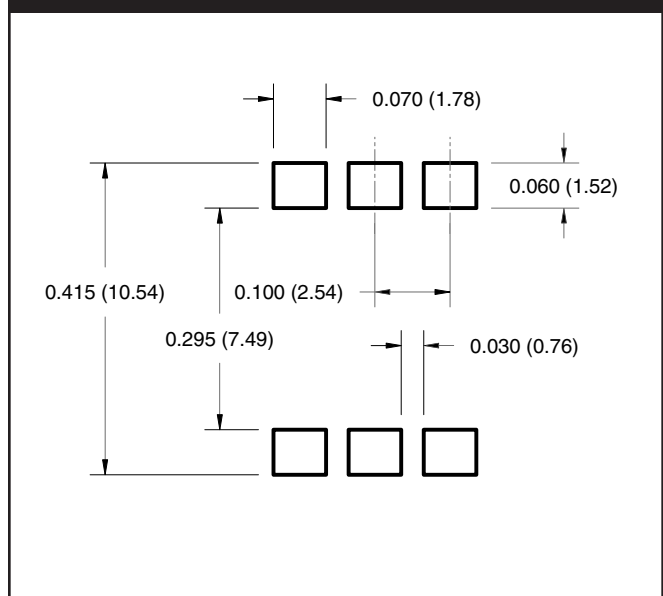
Package Dimensions (Surface Mount)



Package Dimensions (0.4" Lead Spacing)



**Recommended Pad Layout for
Surface Mount Leadform**



NOTE

All dimensions are in inches (millimeters)

**4N25
4N37**

**4N26
H11A1**

**4N27
H11A2**

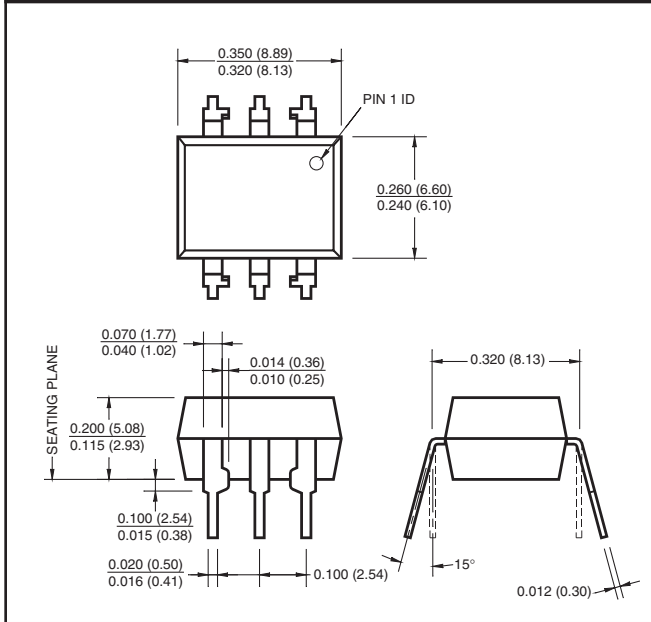
**4N28
H11A3**

**4N35
H11A4**

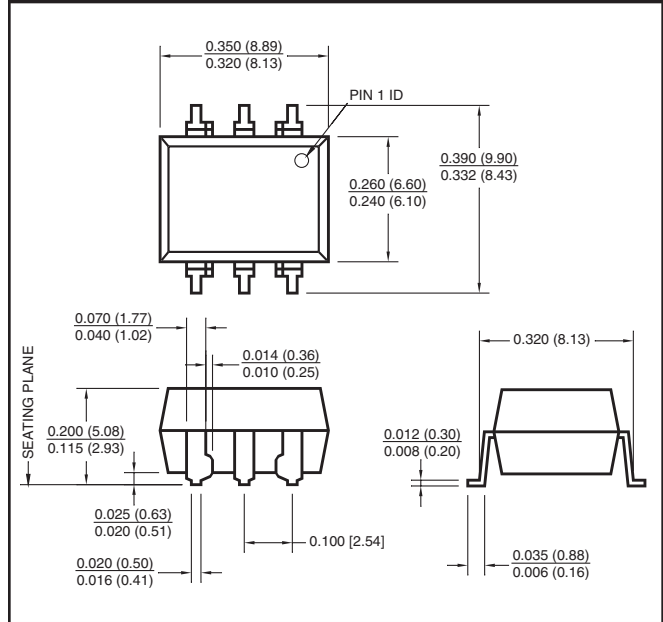
**4N36
H11A5**

White Package (-M Suffix)

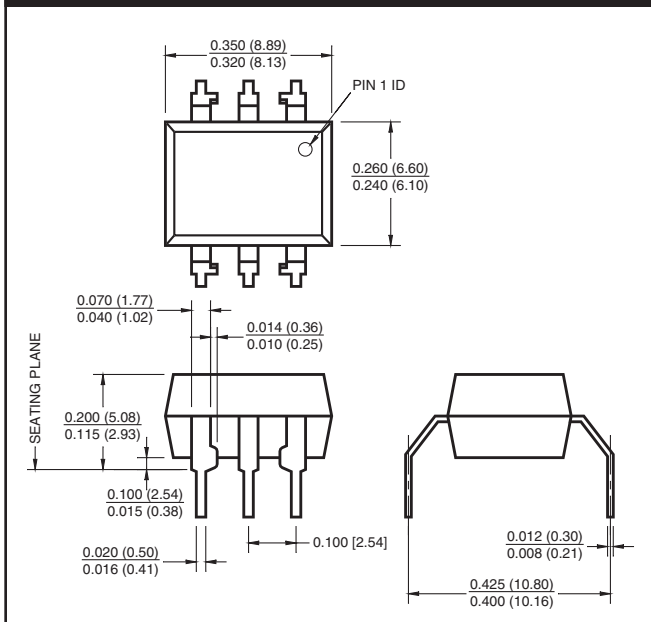
Package Dimensions (Through Hole)



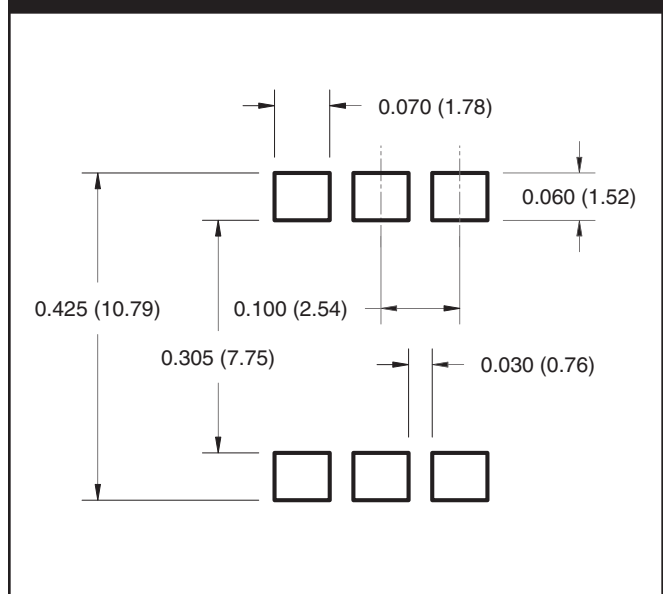
Package Dimensions (Surface Mount)



Package Dimensions (0.4" Lead Spacing)



**Recommended Pad Layout for
Surface Mount Leadform**



NOTE

All dimensions are in inches (millimeters)

**4N25
4N37**

**4N26
H11A1**

**4N27
H11A2**

**4N28
H11A3**

**4N35
H11A4**

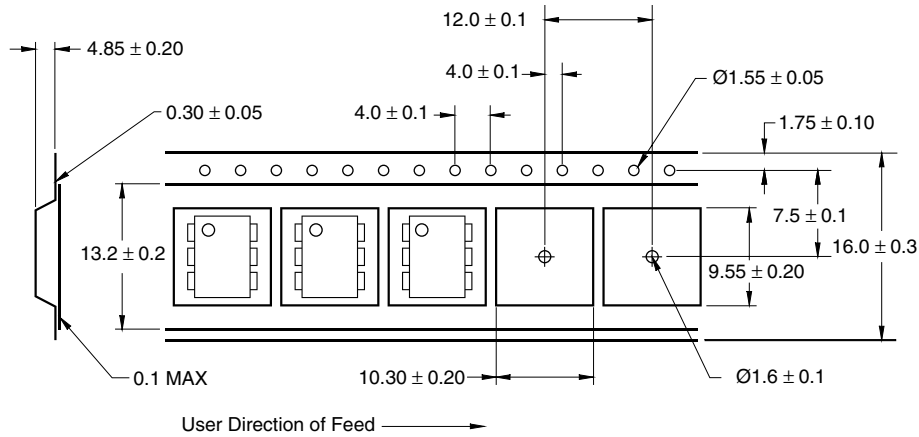
**4N36
H11A5**

ORDERING INFORMATION

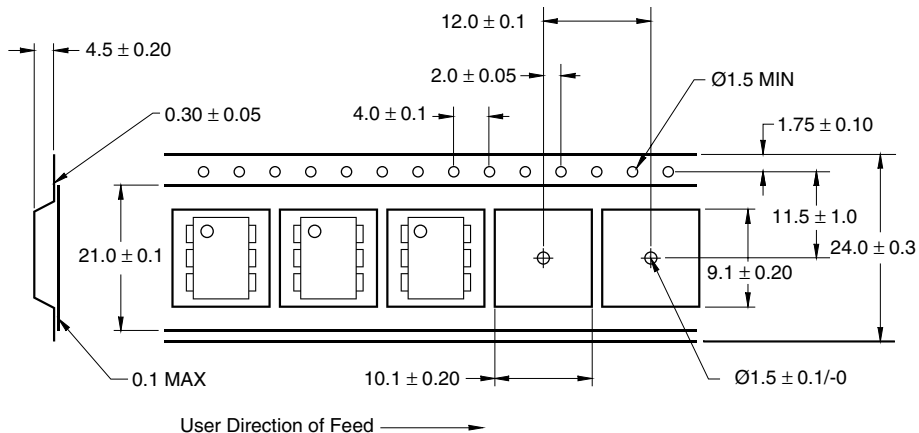
Order Entry Identifier

Black Package (No Suffix)	White Package (-M Suffix)	Option
.S	S	Surface Mount Lead Bend
.SD	SR2	Surface Mount; Tape and reel
.W	T	0.4" Lead Spacing
.300	V	VDE 0884
.300W	TV	VDE 0884, 0.4" Lead Spacing
.3S	SV	VDE 0884, Surface Mount
.3SD	SR2V	VDE 0884, Surface Mount, Tape & Reel

QT Carrier Tape Specifications (Black Package, No Suffix)



QT Carrier Tape Specifications (White Package, -M Suffix)



**4N25
4N37**

**4N26
H11A1**

**4N27
H11A2**

**4N28
H11A3**

**4N35
H11A4**

**4N36
H11A5**

DISCLAIMER

FAIRCHILD SEMICONDUCTOR RESERVES THE RIGHT TO MAKE CHANGES WITHOUT FURTHER NOTICE TO ANY PRODUCTS HEREIN TO IMPROVE RELIABILITY, FUNCTION OR DESIGN. FAIRCHILD DOES NOT ASSUME ANY LIABILITY ARISING OUT OF THE APPLICATION OR USE OF ANY PRODUCT OR CIRCUIT DESCRIBED HEREIN; NEITHER DOES IT CONVEY ANY LICENSE UNDER ITS PATENT RIGHTS, NOR THE RIGHTS OF OTHERS.

LIFE SUPPORT POLICY

FAIRCHILD'S PRODUCTS ARE NOT AUTHORIZED FOR USE AS CRITICAL COMPONENTS IN LIFE SUPPORT DEVICES OR SYSTEMS WITHOUT THE EXPRESS WRITTEN APPROVAL OF THE PRESIDENT OF FAIRCHILD SEMICONDUCTOR CORPORATION. As used herein:

1. Life support devices or systems are devices or systems which, (a) are intended for surgical implant into the body, or (b) support or sustain life, and (c) whose failure to perform when properly used in accordance with instructions for use provided in the labeling, can be reasonably expected to result in a significant injury of the user.
2. A critical component in any component of a life support device or system whose failure to perform can be reasonably expected to cause the failure of the life support device or system, or to affect its safety or effectiveness.

Fairchild Semiconductor

SEARCH | [Parametric](#) | [Cross Reference](#) | [Inventory](#)

[space](#)

[Product Folders and](#)

[Appliea](#)

find products

[Home](#) >> [Find products](#) >>

[Products groups](#)

[Analog and Mixed](#)

[Signal](#)

[Discrete](#)

[Interface](#)

[Logic](#)

[Microcontrollers](#)

[Non-Volatile](#)

[Memory](#)

[Optoelectronics](#)

[Markets and applications](#)

[New products](#)

[Product selection and parametric search](#)

[Cross-reference search](#)

4N25-M
6-Pin White Package Phototransistor 6-PIN, DIP

Contents

[General description](#) | [Features](#) | [Applications](#) | [Ordering information](#) | [Product status/pricing/packaging](#) | [Safety agency certificates](#)

General description

The general purpose optocouplers consist of a gallium arsenide infrared emitting diode driving a silicon phototransistor in a 6-pin dual-in-line package.

[back to top](#)

Features

- Also available in white package by specifying -M suffix, e.g. 4N25-M
- UL recognized (File #E90700)
- VDE recognized (File #94766)

- Add option V for white package (e.g. 4N25V-M)
- Add option 300 for black package (e.g. 4N25.300)

[back to top](#)

Applications

- Power supply regulators
- Digital logic inputs
- Microprocessor inputs

[back to top](#)

Related Links

[Request samples](#)

[Dotted line](#)

[How to order products](#)

[Dotted line](#)

[Product Change Notices](#)

[\(PCNs\)](#)

[Dotted line](#)

[Support](#)

[Dotted line](#)

[Distributor and field sales](#)

[representatives](#)

[Dotted line](#)

[Quality and reliability](#)

[Dotted line](#)

[Design tools](#)

Datasheet

[Download this](#)

[datasheet](#)

PDF

[e-mail this datasheet](#)

[E-]

This page

[Print version](#)

Ordering information

The following options can be ordered with this part:

Black Package (no Suffix)	White Package (-M Suffix)	Option
S	S	Surface Mount Lead Bend
SD	SR2	Surface Mount; Tape and Reel
W	T/TD>	0.4" Lead Spacing
300	V	VDE 0884
W	TV	VDE 0884, 0.4" Lead Spacing
3S	SV	VDE 0884, Surface Mount
3SD	SR2V	VDE 0884, Surface Mount, Tape and Reel

[back to top](#)

Product status/pricing/packaging

Product	Product status	Pricing*	Inventory check & ordering	Package type	Leads	Packing method
4N25TV-M	Full Production	\$0.132	Purchase	N/A	N/A	BULK
4N25V-M	Full Production	\$0.132	Purchase	N/A	N/A	BULK
4N25FR2-M	Full Production	\$0.159	Purchase	DIP	6	TAPE REEL
4N25S-M	Full Production	\$0.132	Purchase	DIP	6	BULK
4N25T-M	Full Production	\$0.132	Purchase	DIP	6	BULK
4N25SV-M	Full Production	\$0.132	Purchase	DIP	6	BULK
4N25SR2-M	Full Production	\$0.141	Purchase	DIP	6	TAPE REEL
4N25FV-M	Full Production	\$0.149	Purchase	N/A	N/A	BULK
4N25FR2V-M	Full Production	\$0.159	Purchase	DIP	6	TAPE REEL
4N25SR2V-M	Full Production	\$0.141	Purchase	DIP	6	TAPE REEL
4N25-M	Full Production	\$0.132	Purchase	N/A	N/A	BULK
4N25F-M	Full Production	\$0.149	Purchase	N/A	N/A	BULK

* Fairchild 1,000 piece Budgetary Pricing

[back to top](#)

Safety agency certificates

Certificate	Agency

310983-01 (95 K)	DEMKO	DEMKO Testing & Certification
P01101866 (383 K)	NEMKO	NEMKO
CR/0117 (424 K)	BABT	British Approvals Board of Telecommunications
102497 (1629 K)	VDE	VDE Pruf-und Zertifizierungsinstitut
1113639 (111 K)	CSA	Canadian Standards Association
0134082 (136 K)	SEMKO	SEMKO
FI 17434 (47 K)	FIMKO	FIMKO
E90700, Vol. 2 (254 K)	UL	Underwriters Laboratories Inc.

[back to top](#)

[Home](#) | [Find products](#) | [Technical information](#) | [Buy products](#) |
[Support](#) | [Company](#) | [Contact us](#) | [Site index](#) | [Privacy policy](#)

[© Copyright 2002 Fairchild Semiconductor](#)

Fairchild Semiconductor

SEARCH | [Parametric](#) | [Cross Reference](#) | [Inventory](#)

[space](#)

[Product Folders and](#)

[Applic](#)

find products

[Home](#) >> [Find products](#) >>

[Products groups](#)

[Analog and Mixed](#)

[Signal](#)

[Discrete](#)

[Interface](#)

[Logic](#)

[Microcontrollers](#)

[Non-Volatile](#)

[Memory](#)

[Optoelectronics](#)

[Markets and applications](#)

[New products](#)

[Product selection and parametric search](#)

[Cross-reference search](#)

4N26-M
6-Pin White Package Phototransistor 6-PIN, DIP

Contents

[General description](#) | [Features](#) | [Applications](#) | [Ordering information](#) | [Product status/pricing/packaging](#) | [Safety agency certificates](#)

General description

The general purpose optocouplers consist of a gallium arsenide infrared emitting diode driving a silicon phototransistor in a 6-pin dual-in-line package.

[back to top](#)

Features

- Also available in white package by specifying -M suffix, e.g. 4N25-M
- UL recognized (File #E90700)
- VDE recognized (File #94766)

- Add option V for white package (e.g. 4N25V-M)
- Add option 300 for black package (e.g. 4N25.300)

[back to top](#)

Applications

- Power supply regulators
- Digital logic inputs
- Microprocessor inputs

[back to top](#)

[Related Links](#)

[Request samples](#)

[Dotted line](#)

[How to order products](#)

[Dotted line](#)

[Product Change Notices \(PCNs\)](#)

[Dotted line](#)

[Support](#)

[Dotted line](#)

[Distributor and field sales representatives](#)

[Dotted line](#)

[Quality and reliability](#)

[Dotted line](#)

[Design tools](#)

Datasheet

[Download this datasheet](#)

PDF

[e-mail this datasheet](#)

[E-]

This page

[Print version](#)

Ordering information

The following options can be ordered with this part:

Black Package (no Suffix)	White Package (-M Suffix)	Option
S	S	Surface Mount Lead Bend
SD	SR2	Surface Mount; Tape and Reel
W	T/TD>	0.4" Lead Spacing
300	V	VDE 0884
W	TV	VDE 0884, 0.4" Lead Spacing
3S	SV	VDE 0884, Surface Mount
3SD	SR2V	VDE 0884, Surface Mount, Tape and Reel

[back to top](#)

Product status/pricing/packaging

Product	Product status	Pricing*	Inventory check & ordering	Package type	Leads	Packing method
4N26FR2V-M	Full Production	\$0.159	Purchase	DIP	6	TAPE REEL
4N26TV-M	Full Production	\$0.141	Purchase	N/A	N/A	BULK
4N26SR2V-M	Full Production	\$0.141	Purchase	DIP	6	TAPE REEL
4N26FV-M	Full Production	\$0.176	Purchase	N/A	N/A	BULK
4N26FR2-M	Full Production	\$0.159	Purchase	DIP	6	TAPE REEL
4N26S-M	Full Production	\$0.132	Purchase	DIP	6	BULK
4N26SV-M	Full Production	\$0.141	Purchase	DIP	6	BULK
4N26-M	Full Production	\$0.132	Purchase	N/A	N/A	BULK
4N26T-M	Full Production	\$0.132	Purchase	DIP	6	BULK
4N26F-M	Full Production	\$0.149	Purchase	N/A	N/A	BULK
4N26SR2-M	Full Production	\$0.141	Purchase	DIP	6	TAPE REEL
4N26V-M	Full Production	\$0.132	Purchase	N/A	N/A	BULK

* Fairchild 1,000 piece Budgetary Pricing

[back to top](#)

Safety agency certificates

Certificate	Agency

310983-01 (95 K)	DEMKO	DEMKO Testing & Certification
P01101866 (383 K)	NEMKO	NEMKO
CR/0117 (424 K)	BABT	British Approvals Board of Telecommunications
102497 (1629 K)	VDE	VDE Pruf-und Zertifizierungsinstitut
1113639 (111 K)	CSA	Canadian Standards Association
0134082 (136 K)	SEMKO	SEMKO
FI 17434 (47 K)	FIMKO	FIMKO
E90700, Vol. 2 (254 K)	UL	Underwriters Laboratories Inc.

[back to top](#)

[Home](#) | [Find products](#) | [Technical information](#) | [Buy products](#) |
[Support](#) | [Company](#) | [Contact us](#) | [Site index](#) | [Privacy policy](#)

© Copyright 2002 Fairchild Semiconductor

Fairchild Semiconductor

SEARCH | [Parametric](#) | [Cross Reference](#) | [Inventory](#)

[space](#)

[Product Folders and](#)

[Applic](#)

find products

[Home](#) >> [Find products](#) >>

[Products groups](#)

[Analog and Mixed](#)

[Signal](#)

[Discrete](#)

[Interface](#)

[Logic](#)

[Microcontrollers](#)

[Non-Volatile](#)

[Memory](#)

[Optoelectronics](#)

[Markets and applications](#)

[New products](#)

[Product selection and parametric search](#)

[Cross-reference search](#)

4N27-M
6-Pin White Package Phototransistor 6-PIN, DIP

Contents

[General description](#) | [Features](#) | [Applications](#) | [Ordering information](#) | [Product status/pricing/packaging](#) | [Safety agency certificates](#)

General description

The general purpose optocouplers consist of a gallium arsenide infrared emitting diode driving a silicon phototransistor in a 6-pin dual-in-line package.

[back to top](#)

Features

- Also available in white package by specifying -M suffix, e.g. 4N25-M
- UL recognized (File #E90700)
- VDE recognized (File #94766)

- Add option V for white package (e.g. 4N25V-M)
- Add option 300 for black package (e.g. 4N25.300)

[back to top](#)

Applications

- Power supply regulators
- Digital logic inputs
- Microprocessor inputs

[back to top](#)

[Related Links](#)

[Request samples](#)

[Dotted line](#)

[How to order products](#)

[Dotted line](#)

[Product Change Notices \(PCNs\)](#)

[Dotted line](#)

[Support](#)

[Dotted line](#)

[Distributor and field sales representatives](#)

[Dotted line](#)

[Quality and reliability](#)

[Dotted line](#)

[Design tools](#)

Datasheet

[Download this datasheet](#)

PDF

[e-mail this datasheet](#)

[E-]

This page

[Print version](#)

Ordering information

The following options can be ordered with this part:

Black Package (no Suffix)	White Package (-M Suffix)	Option
S	S	Surface Mount Lead Bend
SD	SR2	Surface Mount; Tape and Reel
W	T/TD>	0.4" Lead Spacing
300	V	VDE 0884
W	TV	VDE 0884, 0.4" Lead Spacing
3S	SV	VDE 0884, Surface Mount
3SD	SR2V	VDE 0884, Surface Mount, Tape and Reel

[back to top](#)

Product status/pricing/packaging

Product	Product status	Pricing*	Inventory check & ordering	Package type	Leads	Packing method
4N27-M	Full Production	\$0.132	Purchase	N/A	N/A	BULK
4N27T-M	Full Production	\$0.132	Purchase	DIP	6	BULK
4N27V-M	Full Production	\$0.132	Purchase	N/A	N/A	BULK
4N27FR2V-M	Full Production	\$0.159	Purchase	DIP	6	TAPE REEL
4N27SR2-M	Full Production	\$0.141	Purchase	DIP	6	TAPE REEL
4N27TV-M	Full Production	\$0.132	Purchase	N/A	N/A	BULK
4N27SV-M	Full Production	\$0.132	Purchase	DIP	6	BULK
4N27FV-M	Full Production	\$0.149	Purchase	N/A	N/A	BULK
4N27FR2-M	Full Production	\$0.159	Purchase	DIP	6	TAPE REEL
4N27S-M	Full Production	\$0.132	Purchase	DIP	6	BULK
4N27SR2V-M	Full Production	\$0.141	Purchase	DIP	6	TAPE REEL
4N27F-M	Full Production	\$0.149	Purchase	N/A	N/A	BULK

* Fairchild 1,000 piece Budgetary Pricing

[back to top](#)

Safety agency certificates

Certificate	Agency

310983-01 (95 K)	DEMKO	DEMKO Testing & Certification
P01101866 (383 K)	NEMKO	NEMKO
CR/0117 (424 K)	BABT	British Approvals Board of Telecommunications
102497 (1629 K)	VDE	VDE Pruf-und Zertifizierungsinstitut
1113639 (111 K)	CSA	Canadian Standards Association
0134082 (136 K)	SEMKO	SEMKO
FI 17434 (47 K)	FIMKO	FIMKO
E90700, Vol. 2 (254 K)	UL	Underwriters Laboratories Inc.

[back to top](#)

[Home](#) | [Find products](#) | [Technical information](#) | [Buy products](#) |
[Support](#) | [Company](#) | [Contact us](#) | [Site index](#) | [Privacy policy](#)

[© Copyright 2002 Fairchild Semiconductor](#)

Fairchild Semiconductor

SEARCH | [Parametric](#) | [Cross Reference](#) | [Inventory](#)

[space](#)

[Product Folders and](#)

[Applic](#)

find products

[Home](#) >> [Find products](#) >>

[Products groups](#)

[Analog and Mixed](#)

[Signal](#)

[Discrete](#)

[Interface](#)

[Logic](#)

[Microcontrollers](#)

[Non-Volatile](#)

[Memory](#)

[Optoelectronics](#)

[Markets and applications](#)

[New products](#)

[Product selection and parametric search](#)

[Cross-reference search](#)

4N28-M
6-Pin White Package Phototransistor 6-PIN, DIP

Contents

[General description](#) | [Features](#) | [Applications](#) | [Ordering information](#) | [Product status/pricing/packaging](#) | [Safety agency certificates](#)

General description

The general purpose optocouplers consist of a gallium arsenide infrared emitting diode driving a silicon phototransistor in a 6-pin dual-in-line package.

[back to top](#)

Features

- Also available in white package by specifying -M suffix, e.g. 4N25-M
- UL recognized (File #E90700)
- VDE recognized (File #94766)

- Add option V for white package (e.g. 4N25V-M)
- Add option 300 for black package (e.g. 4N25.300)

[back to top](#)

Applications

- Power supply regulators
- Digital logic inputs
- Microprocessor inputs

[back to top](#)

[Related Links](#)

[Request samples](#)

[Dotted line](#)

[How to order products](#)

[Dotted line](#)

[Product Change Notices \(PCNs\)](#)

[Dotted line](#)

[Support](#)

[Dotted line](#)

[Distributor and field sales representatives](#)

[Dotted line](#)

[Quality and reliability](#)

[Dotted line](#)

[Design tools](#)

Datasheet

[Download this datasheet](#)

PDF

[e-mail this datasheet](#)

[E-

This page

[Print version](#)

Ordering information

The following options can be ordered with this part:

Black Package (no Suffix)	White Package (-M Suffix)	Option
S	S	Surface Mount Lead Bend
SD	SR2	Surface Mount; Tape and Reel
W	T/TD>	0.4" Lead Spacing
300	V	VDE 0884
W	TV	VDE 0884, 0.4" Lead Spacing
3S	SV	VDE 0884, Surface Mount
3SD	SR2V	VDE 0884, Surface Mount, Tape and Reel

[back to top](#)

Product status/pricing/packaging

Product	Product status	Pricing*	Inventory check & ordering	Package type	Leads	Packing method
4N28F-M	Full Production	\$0.149	Purchase	N/A	N/A	BULK
4N28T-M	Full Production	\$0.132	Purchase	DIP	6	BULK
4N28SR2V-M	Full Production	\$0.141	Purchase	DIP	6	TAPE REEL
4N28SR2-M	Full Production	\$0.141	Purchase	DIP	6	TAPE REEL
4N28S-M	Full Production	\$0.132	Purchase	DIP	6	BULK
4N28FR2-M	Full Production	\$0.159	Purchase	DIP	6	TAPE REEL
4N28V-M	Full Production	\$0.132	Purchase	N/A	N/A	BULK
4N28FR2V-M	Full Production	\$0.159	Purchase	DIP	6	TAPE REEL
4N28SV-M	Full Production	\$0.132	Purchase	DIP	6	BULK
4N28FV-M	Full Production	\$0.149	Purchase	N/A	N/A	BULK
4N28-M	Full Production	\$0.132	Purchase	N/A	N/A	BULK
4N28TV-M	Full Production	\$0.132	Purchase	N/A	N/A	BULK

* Fairchild 1,000 piece Budgetary Pricing

[back to top](#)

Safety agency certificates

Certificate	Agency

310983-01 (95 K)	DEMKO	DEMKO Testing & Certification
P01101866 (383 K)	NEMKO	NEMKO
CR/0117 (424 K)	BABT	British Approvals Board of Telecommunications
102497 (1629 K)	VDE	VDE Pruf-und Zertifizierungsinstitut
1113639 (111 K)	CSA	Canadian Standards Association
0134082 (136 K)	SEMKO	SEMKO
FI 17434 (47 K)	FIMKO	FIMKO
E90700, Vol. 2 (254 K)	UL	Underwriters Laboratories Inc.

[back to top](#)

[Home](#) | [Find products](#) | [Technical information](#) | [Buy products](#) |
[Support](#) | [Company](#) | [Contact us](#) | [Site index](#) | [Privacy policy](#)

© Copyright 2002 Fairchild Semiconductor

Fairchild Semiconductor

SEARCH | [Parametric](#) | [Cross Reference](#) | [Inventory](#)

[space](#)

[Product Folders and](#)

[Applic](#)

find products

[Home](#) >> [Find products](#) >>

[Products groups](#)

[Analog and Mixed](#)

[Signal](#)

[Discrete](#)

[Interface](#)

[Logic](#)

[Microcontrollers](#)

[Non-Volatile](#)

[Memory](#)

[Optoelectronics](#)

[Markets and applications](#)

[New products](#)

[Product selection and parametric search](#)

[Cross-reference search](#)

4N35-M
6-Pin White Package Phototransistor 6-PIN, DIP

Contents

[General description](#) | [Features](#) | [Applications](#) | [Ordering information](#) | [Product status/pricing/packaging](#) | [Safety agency certificates](#)

General description

The general purpose optocouplers consist of a gallium arsenide infrared emitting diode driving a silicon phototransistor in a 6-pin dual-in-line package.

[back to top](#)

Features

- Also available in white package by specifying -M suffix, e.g. 4N25-M
- UL recognized (File #E90700)
- VDE recognized (File #94766)

- Add option V for white package (e.g. 4N25V-M)
- Add option 300 for black package (e.g. 4N25.300)

[back to top](#)

Applications

- Power supply regulators
- Digital logic inputs
- Microprocessor inputs

[back to top](#)

Related Links

[Request samples](#)

[Dotted line](#)

[How to order products](#)

[Dotted line](#)

[Product Change Notices \(PCNs\)](#)

[Dotted line](#)

[Support](#)

[Dotted line](#)

[Distributor and field sales representatives](#)

[Dotted line](#)

[Quality and reliability](#)

[Dotted line](#)

[Design tools](#)

Datasheet

[Download this datasheet](#)

PDF

[e-mail this datasheet](#)

[E-]

This page

[Print version](#)

Ordering information

The following options can be ordered with this part:

Black Package (no Suffix)	White Package (-M Suffix)	Option
S	S	Surface Mount Lead Bend
SD	SR2	Surface Mount; Tape and Reel
W	T/TD>	0.4" Lead Spacing
300	V	VDE 0884
W	TV	VDE 0884, 0.4" Lead Spacing
3S	SV	VDE 0884, Surface Mount
3SD	SR2V	VDE 0884, Surface Mount, Tape and Reel

[back to top](#)

Product status/pricing/packaging

Product	Product status	Pricing*	Inventory check & ordering	Package type	Leads	Packing method
4N35SR2-M	Full Production	\$0.141	Purchase	DIP	6	TAPE REEL
4N35SR2V-M	Full Production	\$0.141	Purchase	DIP	6	TAPE REEL
4N35FR2V-M	Full Production	\$0.159	Purchase	DIP	6	TAPE REEL
4N35V-M	Full Production	\$0.132	Purchase	N/A	N/A	BULK
4N35S-M	Full Production	\$0.132	Purchase	DIP	6	BULK
4N35F-M	Full Production	\$0.149	Purchase	N/A	N/A	BULK
4N35TV-M	Full Production	\$0.132	Purchase	DIP	6	BULK
4N35-M	Full Production	\$0.132	Purchase	N/A	N/A	BULK
4N35SV-M	Full Production	\$0.132	Purchase	DIP	6	BULK
4N35T-M	Full Production	\$0.132	Purchase	DIP	6	BULK
4N35FR2-M	Full Production	\$0.159	Purchase	DIP	6	TAPE REEL
4N35FV-M	Full Production	\$0.149	Purchase	N/A	N/A	BULK

* Fairchild 1,000 piece Budgetary Pricing

[back to top](#)

Safety agency certificates

Certificate	Agency

310983-01 (95 K)	DEMKO	DEMKO Testing & Certification
P01101866 (383 K)	NEMKO	NEMKO
CR/0117 (424 K)	BABT	British Approvals Board of Telecommunications
102497 (1629 K)	VDE	VDE Pruf-und Zertifizierungsinstitut
1113639 (111 K)	CSA	Canadian Standards Association
0134082 (136 K)	SEMKO	SEMKO
FI 17434 (47 K)	FIMKO	FIMKO
E90700, Vol. 2 (254 K)	UL	Underwriters Laboratories Inc.

[back to top](#)

[Home](#) | [Find products](#) | [Technical information](#) | [Buy products](#) |
[Support](#) | [Company](#) | [Contact us](#) | [Site index](#) | [Privacy policy](#)

[© Copyright 2002 Fairchild Semiconductor](#)

Fairchild Semiconductor

SEARCH | [Parametric](#) | [Cross Reference](#) | [Inventory](#)

[space](#)

[Product Folders and](#)

[Appliea](#)

find products

[Home](#) >> [Find products](#) >>

[Products groups](#)

[Analog and Mixed](#)

[Signal](#)

[Discrete](#)

[Interface](#)

[Logic](#)

[Microcontrollers](#)

[Non-Volatile](#)

[Memory](#)

[Optoelectronics](#)

[Markets and applications](#)

[New products](#)

[Product selection and parametric search](#)

[Cross-reference search](#)

4N37-M
6-Pin White Package Phototransistor 6-PIN, DIP

Contents

[General description](#) | [Features](#) | [Applications](#) | [Ordering information](#) | [Product status/pricing/packaging](#) | [Safety agency certificates](#)

General description

The general purpose optocouplers consist of a gallium arsenide infrared emitting diode driving a silicon phototransistor in a 6-pin dual-in-line package.

[back to top](#)

Features

- Also available in white package by specifying -M suffix, e.g. 4N25-M
- UL recognized (File #E90700)
- VDE recognized (File #94766)

- Add option V for white package (e.g. 4N25V-M)
- Add option 300 for black package (e.g. 4N25.300)

[back to top](#)

Applications

- Power supply regulators
- Digital logic inputs
- Microprocessor inputs

[back to top](#)

[Related Links](#)

[Request samples](#)

[Dotted line](#)

[How to order products](#)

[Dotted line](#)

[Product Change Notices \(PCNs\)](#)

[Dotted line](#)

[Support](#)

[Dotted line](#)

[Distributor and field sales representatives](#)

[Dotted line](#)

[Quality and reliability](#)

[Dotted line](#)

[Design tools](#)

Datasheet

[Download this datasheet](#)

PDF

[e-mail this datasheet](#)

[E-]

This page

[Print version](#)

Ordering information

The following options can be ordered with this part:

Black Package (no Suffix)	White Package (-M Suffix)	Option
S	S	Surface Mount Lead Bend
SD	SR2	Surface Mount; Tape and Reel
W	T/TD>	0.4" Lead Spacing
300	V	VDE 0884
W	TV	VDE 0884, 0.4" Lead Spacing
3S	SV	VDE 0884, Surface Mount
3SD	SR2V	VDE 0884, Surface Mount, Tape and Reel

[back to top](#)

Product status/pricing/packaging

Product	Product status	Pricing*	Inventory check & ordering	Package type	Leads	Packing method
4N37FV-M	Full Production	\$0.149	Purchase	N/A	N/A	BULK
4N37S-M	Full Production	\$0.132	Purchase	DIP	6	BULK
4N37SR2V-M	Full Production	\$0.141	Purchase	DIP	6	TAPE REEL
4N37TV-M	Full Production	\$0.132	Purchase	N/A	N/A	BULK
4N37FR2-M	Full Production	\$0.159	Purchase	DIP	6	TAPE REEL
4N37F-M	Full Production	\$0.149	Purchase	N/A	N/A	BULK
4N37-M	Full Production	\$0.132	Purchase	N/A	N/A	BULK
4N37SR2-M	Full Production	\$0.141	Purchase	DIP	6	TAPE REEL
4N37T-M	Full Production	\$0.132	Purchase	N/A	N/A	BULK
4N37SV-M	Full Production	\$0.132	Purchase	DIP	6	BULK
4N37FR2V-M	Full Production	\$0.159	Purchase	DIP	6	TAPE REEL
4N37V-M	Full Production	\$0.132	Purchase	N/A	N/A	BULK

* Fairchild 1,000 piece Budgetary Pricing

[back to top](#)

Safety agency certificates

Certificate	Agency

310983-01 (95 K)	DEMKO	DEMKO Testing & Certification
P01101866 (383 K)	NEMKO	NEMKO
CR/0117 (424 K)	BABT	British Approvals Board of Telecommunications
102497 (1629 K)	VDE	VDE Pruf-und Zertifizierungsinstitut
1113639 (111 K)	CSA	Canadian Standards Association
0134082 (136 K)	SEMKO	SEMKO
FI 17434 (47 K)	FIMKO	FIMKO
E90700, Vol. 2 (254 K)	UL	Underwriters Laboratories Inc.

[back to top](#)

[Home](#) | [Find products](#) | [Technical information](#) | [Buy products](#) |
[Support](#) | [Company](#) | [Contact us](#) | [Site index](#) | [Privacy policy](#)

© Copyright 2002 Fairchild Semiconductor