



DUAL BAND Mobile Cellular Phone SGH-N628

SERVICE Manual

Datasheet Company

DUAL BAND Mobile Cellular Phone

CONTENTS



1. Exploded Views and Parts List
2. PCB Diagrams
3. Electrical Parts List
4. Block Diagrams
5. Flow chart of trouble shooting



1. Exploded Views and Parts List

- 1-1 Main
- 1-2 Main Parts List
- 1-3 Travel Adapter
- 1-4 Travel Adapter Parts List
- 1-5 Battery Charger
- 1-6 Test Jig
 - 1-6-1 Test Jig
- 1-7 normal EAR Microphone
- 1-8 Data Kit

2. PCB Diagrams

- 2-1 Main Top
- 2-2 Main Bottom

3. Electrical Parts List

- 3-1 Main Parts List Top
- 3-2 Main Parts List Bottom

4. Block Diagrams

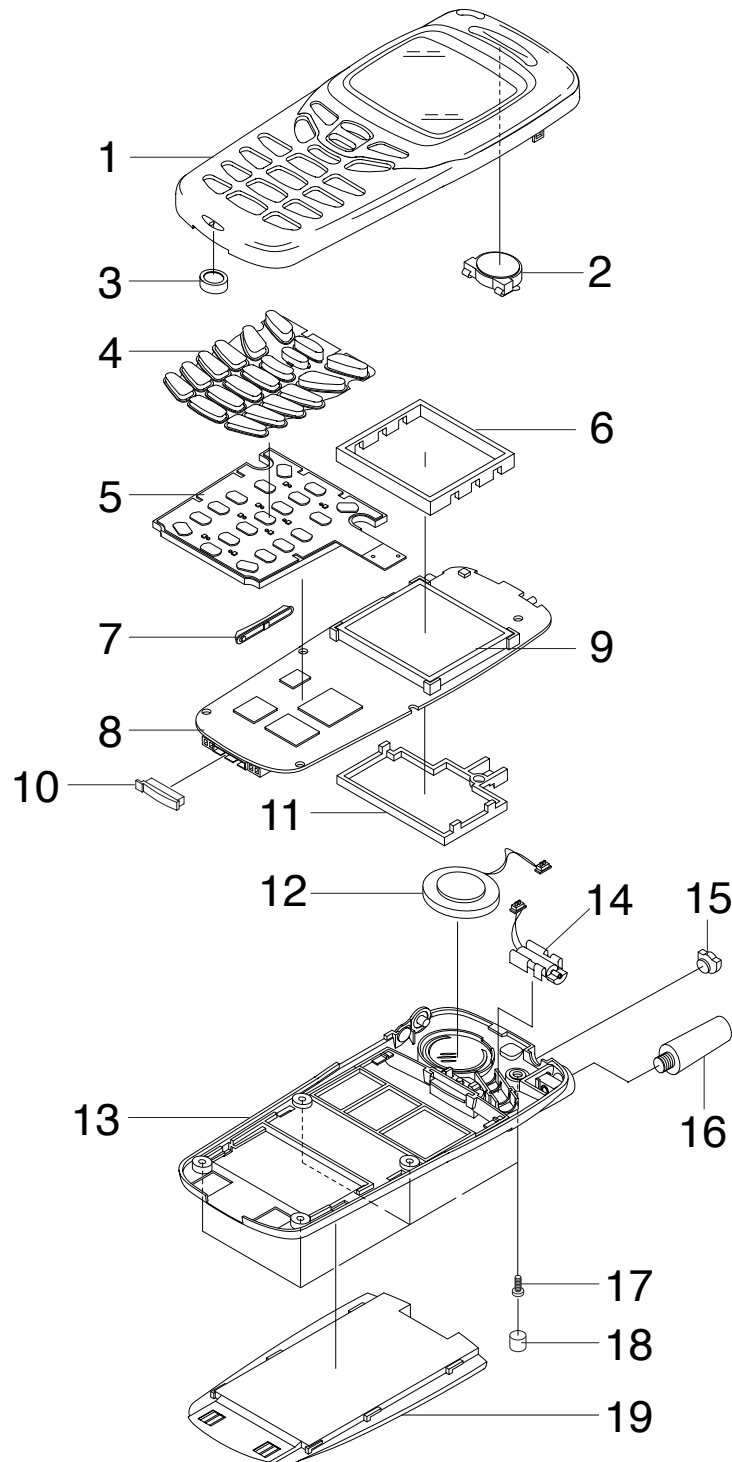
- 4-1 Main Base Band
- 4-2 Main RF
 - 4-2-1 RF Tx Part
 - 4-2-2 RF Rx Part

5. Flow chart of trouble shooting

- 5-1 Power ON
 - 5-2 Initial
 - 5-3 Charging Part
 - 5-4 Sim Part
 - 5-5 Microphone Part
 - 5-6 Speaker Part
 - 5-7 Key Data Input
 - 5-8 Alert tone
 - 5-9 Ring Indicator
 - 5-10 Back Light
 - 5-11 GSM Receiver
 - 5-12 GSM Transmit
 - 5-13 DCS Receiver
 - 5-14 DCS Transmit
-

1. Exploded Views and Parts List

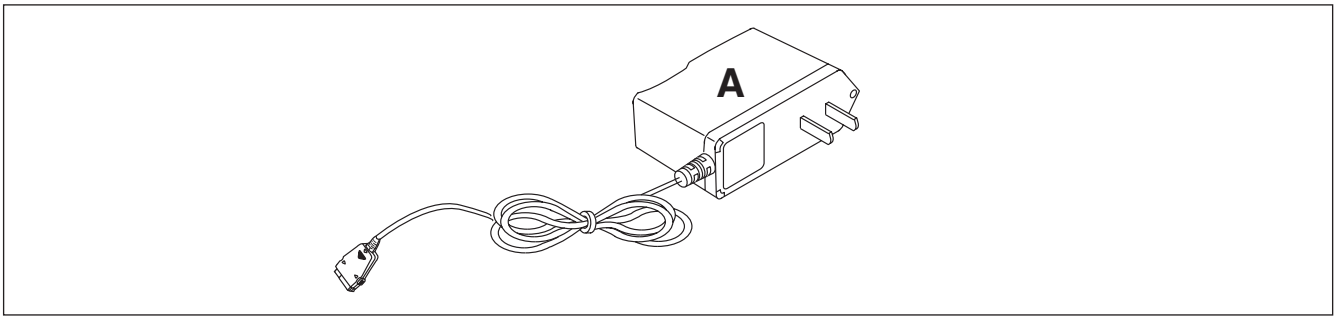
1-1 Main (SGH-N628)



1-2 Main Parts List

NO	DISCRIPTION	SEC CODE			Q'TY	SVC	REMARK
		WHITE	DARK BLUE	DARK SILVER			
1	FRONT COVER ASS'Y	GH75-01671B	GH75-01671A	GH75-01671C	1		
2	SPEAKER	3001-001199	3001-001199	3001-001199	1		
3	MIC ASS'Y	GH59-00240B	GH59-00240B	GH59-00240B	1		
4	KEY PAD(3X4)	GH72-03705A	GH72-03705A	GH72-03705A	1		
5	KEY PCB(3X4)	GH59-00282A	GH59-00282A	GH59-00282A	1		
6	COVER LCD	GH73-00923A	GH73-00923A	GH73-00923A	1		
7	KEY-VOLUME	GH75-01490A	GH75-01490A	GH75-01490A	1		
8	MAIN PBA	GH82-00092A	GH82-00092A	GH82-00092A	1		
9	LCD	GH07-00131A	GH07-00131A	GH07-00131A	1		
10	COVER CONNECTOR	GH73-00893A	GH73-01001A	GH73-01001B	1		
11	SHIELD-REAR	GH72-03213A	GH72-03213E	GH72-03213F	1		
12	SPEAKER	3001-001253	3001-001253	3001-001253	1		
13	REAR COVER ASS'Y	GH75-01471A	GH75-01672A	GH75-01672B	1		
14	MOTOR	GH31-00033A	GH31-00033A	GH31-00033A	1		
15	MOBILE CAP	GH73-00892A	GH73-00999A	GH73-00999B	1		
16	ANTENNA	GH42-00137E	GH42-00137F	GH42-00137G	1		
17	SCREW M1.7 X 5	6001-001542	6001-001542	6001-001542	5		
18	SCREW CAP	GH73-00891A	GH73-00998A	GH73-00998B	1		
19	BATT ASS'Y(STD)	GH43-00472A	GH43-00472C	GH43-00472B	1		

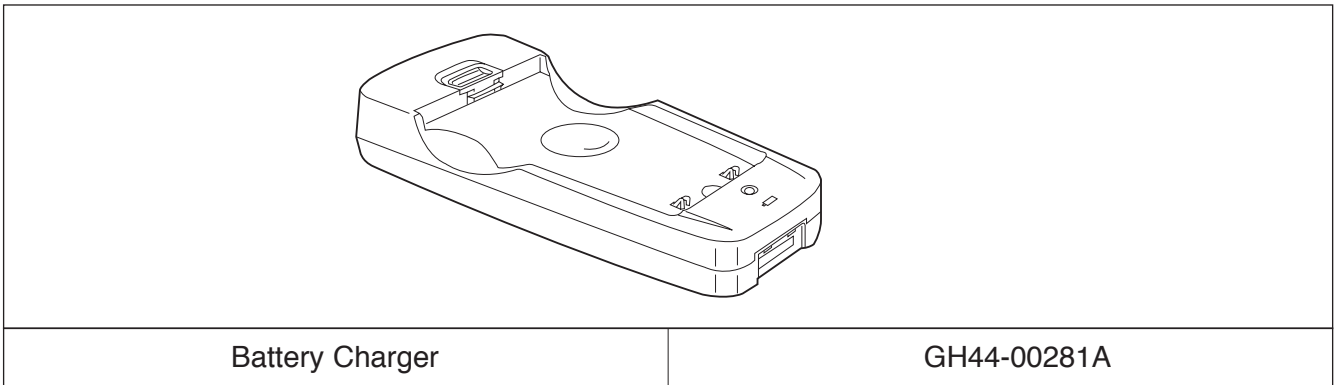
1-3 Travel Adapter



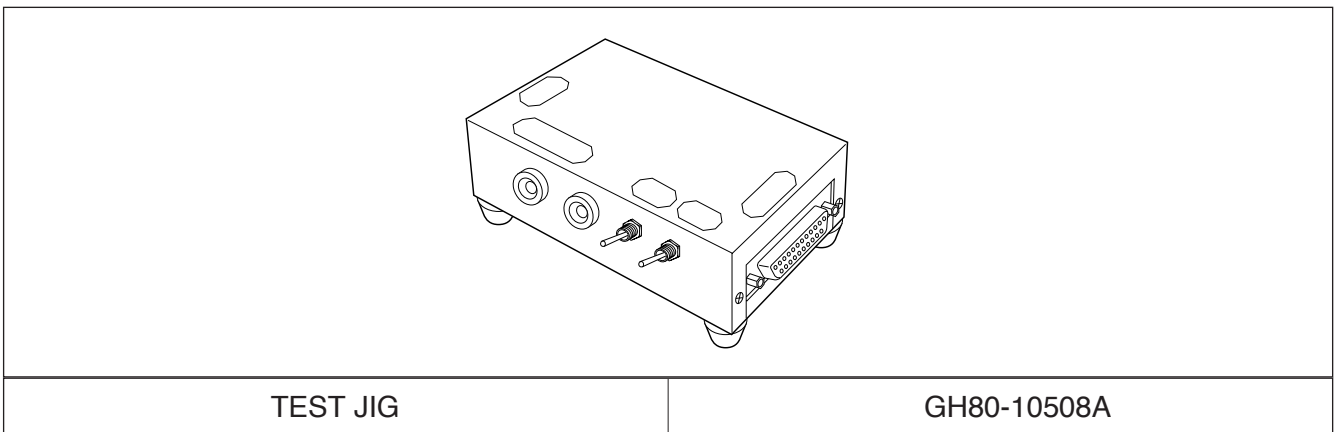
1-4 Travel Adapter Parts List

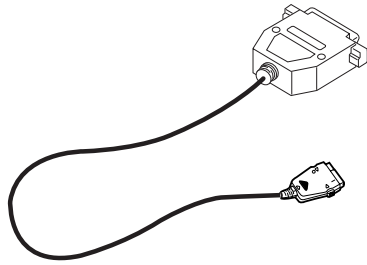
TYPE	SEC CODE	REMARK
A	GH44-00171 A	CHINA

1-5 Battery Charger



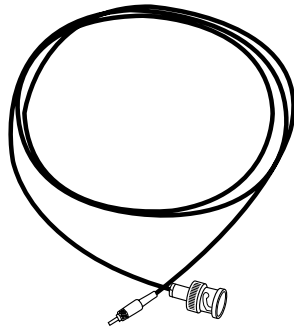
1-6 Test Jig





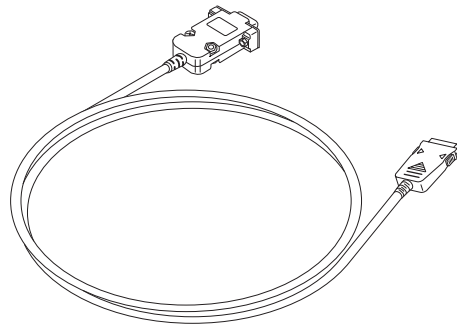
TEST JIG CABLE

GH39-00079A



RF JIG CABLE

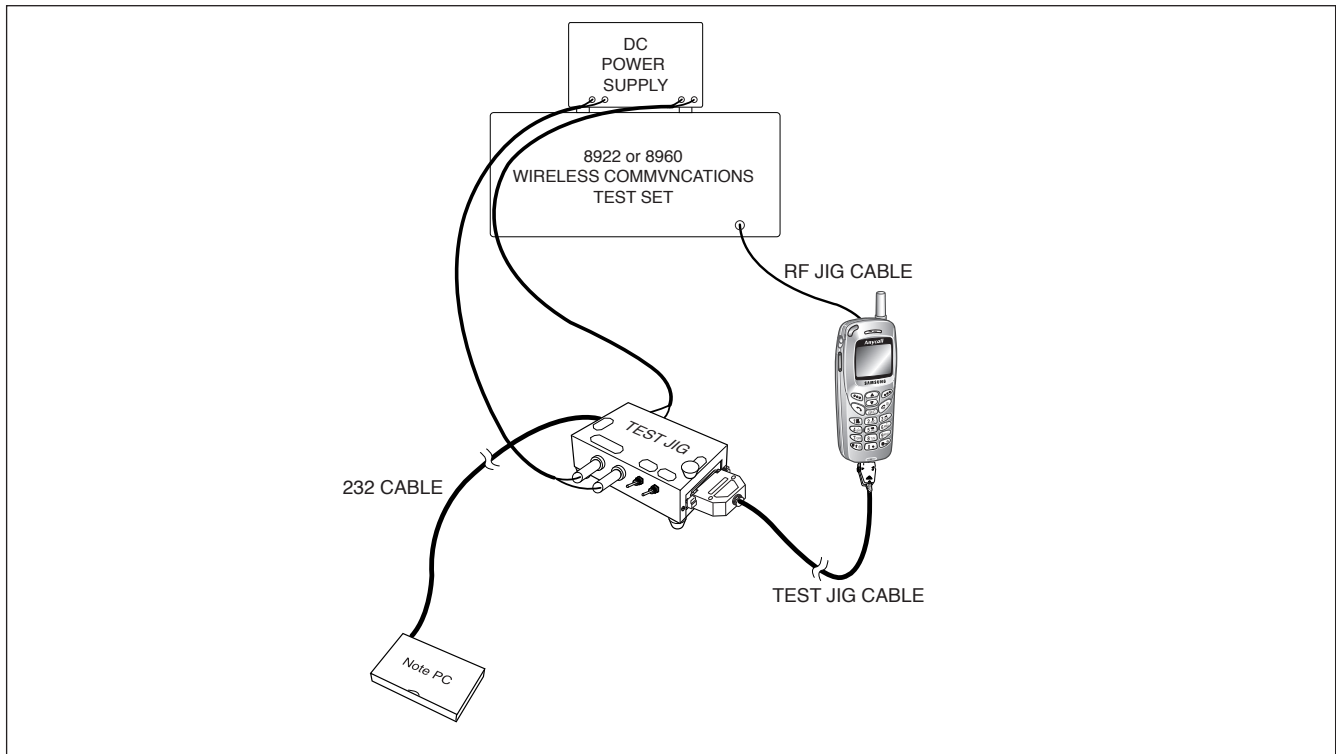
GH39-00094A



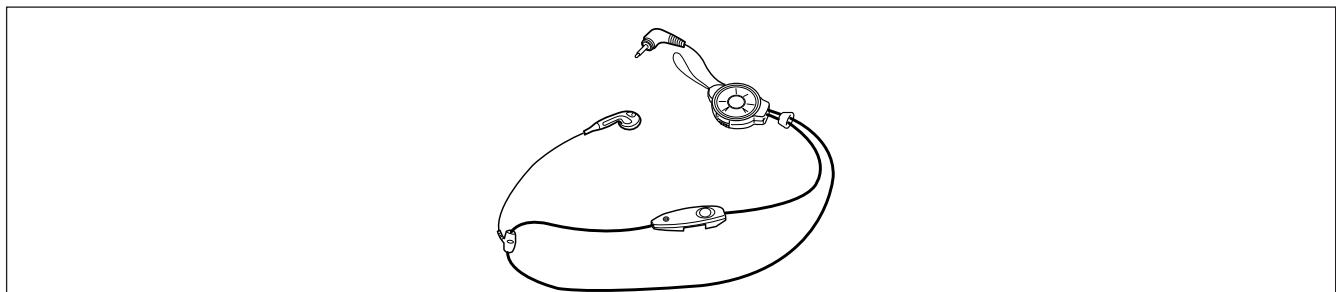
DM CABLE

GH39-00080A

1-6-1 Test Jig



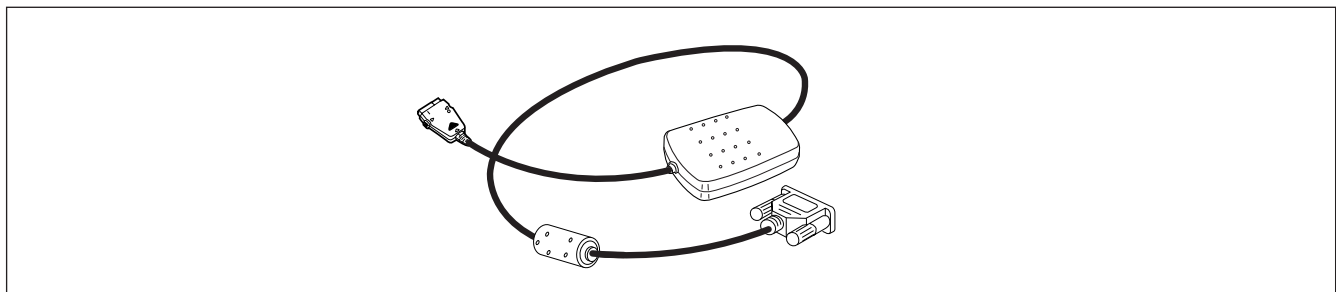
1-7 Normal EAR Microphone



Wearable EAR Microphone

GH59-00359A

1-8 Data Kit

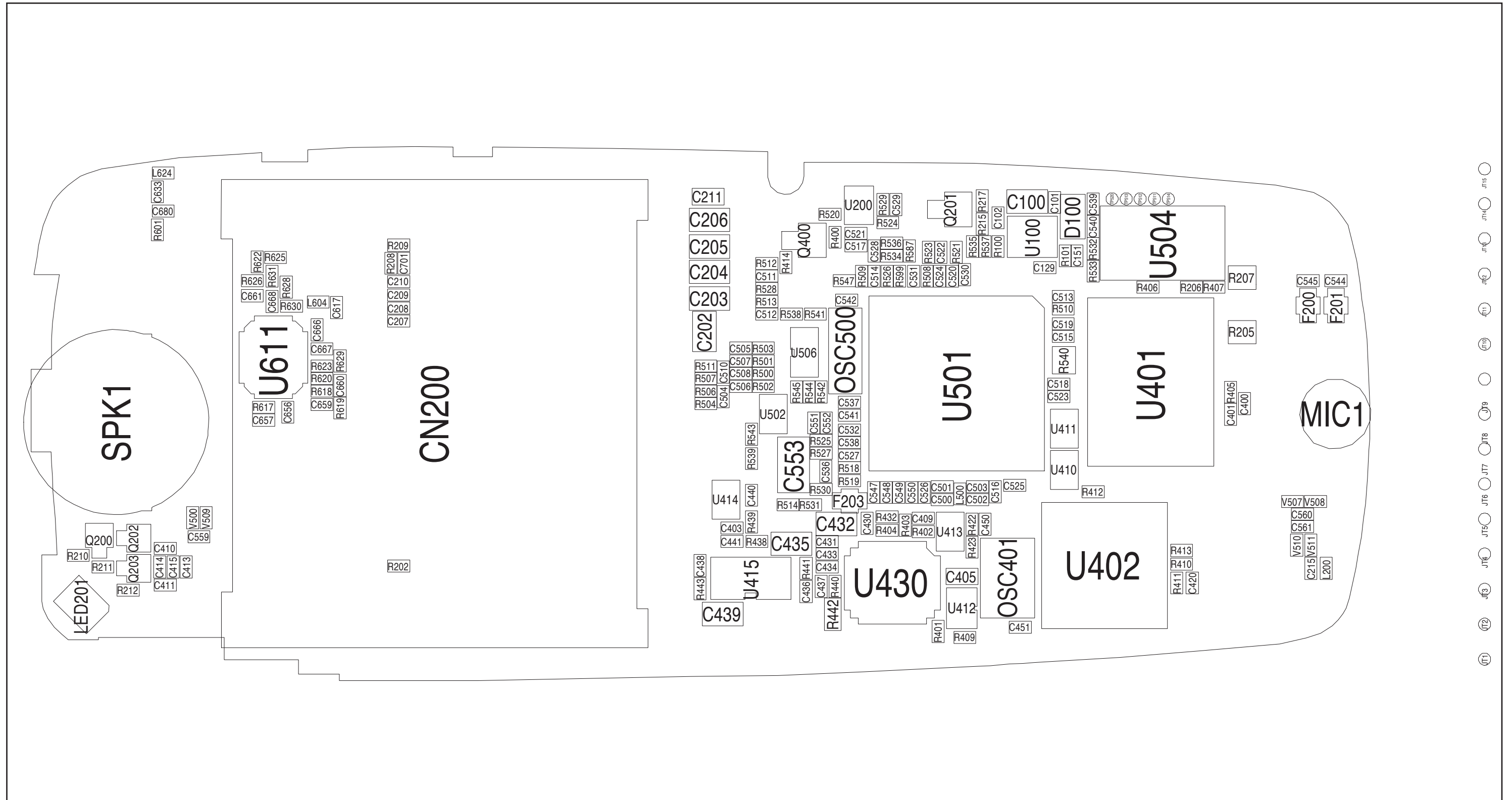


DATA KIT

GH39-00078A

2. PCB Diagrams

2-1 Main Top



3. Electrical Parts List

3-1 Main Parts List Top

NO	Reference	SEC Code	Part Description	Vendor Part No
1	C100	2404-001105	C-TA,CHIP;10UF/6.3V	TCSCS0J106MPAS
2	C101	2203-000254	C-CERAMIC,CHIP;C103K,10NF,16V	GRP155R71C103KA01E
3	C102	2203-000233	C-CERAMIC,CHIP;C101J,100PF,50V	GRP1555C1H101JD01E
4	C129	2203-000254	C-CERAMIC,CHIP;C103K,10NF,16V	GRP155R71C103KA01E
5	C151	2203-005482	C-CERAMIC,CHIP;C104K,100NF,10V	GRP155R61A104KA01E
6	C202	2404-001101	C-TA,CHIP;1UF/16V	TAJR105M016R
7	C203	2404-001101	C-TA,CHIP;1UF/16V	TAJR105M016R
8	C204	2404-001101	C-TA,CHIP;1UF/16V	TAJR105M016R
9	C205	2404-001101	C-TA,CHIP;1UF/16V	TAJR105M016R
10	C206	2404-001101	C-TA,CHIP;1UF/16V	TAJR105M016R
11	C207	2203-005061	C-CERAMIC,CHIP;C104Z,100NF,16V	CL05F104ZONC
12	C208	2203-005061	C-CERAMIC,CHIP;C104Z,100NF,16V	CL05F104ZONC
13	C209	2203-005061	C-CERAMIC,CHIP;C104Z,100NF,16V	CL05F104ZONC
14	C210	2203-005061	C-CERAMIC,CHIP;C104Z,100NF,16V	CL05F104ZONC
15	C211	2203-000604	C-CERAMIC,CHIP;C223K,22NF,25V	CL10B223KANC
16	C215	2203-000679	C-CERAMIC,CHIP;C270J,27PF,50V	GRP1555C1H270JZ01E
17	C400	2203-005061	C-CERAMIC,CHIP;C104Z,100NF,16V	CL05F104ZONC
18	C401	2203-005061	C-CERAMIC,CHIP;C104Z,100NF,16V	CL05F104ZONC
19	C403	2203-002525	C-CERAMIC,CHIP;C561K,560PF,50V	GRP155R71H561KD01E
20	C409	2203-002443	C-CERAMIC,CHIP;C331K,330PF,50V	CL05B331KBNC
21	C410	2203-000679	C-CERAMIC,CHIP;C270J,27PF,50V	GRP1555C1H270JZ01E
22	C411	2203-000679	C-CERAMIC,CHIP;C270J,27PF,50V	GRP1555C1H270JZ01E
23	C413	2203-003054	C-CERAMIC,CHIP;C090C,9PF,50V	GRP1555C1H9R0DZ01E
24	C414	2203-000386	C-CERAMIC,CHIP;C150J,15PF,50V	GRP1555C1H150JZ01E
25	C420	2203-005061	C-CERAMIC,CHIP;C104Z,100NF,16V	CL05F104ZONC
26	C430	2203-000438	C-CERAMIC,CHIP;C102K,1NF,50V	GRP155R71H102KA01E
27	C431	2203-005061	C-CERAMIC,CHIP;C104Z,100NF,16V	CL05F104ZONC
28	C432	2404-001086	C-TA,CHIP;4.7UF/6.3V	TESVSPOJ475M8RTJ
29	C433	2203-005061	C-CERAMIC,CHIP;C104Z,100NF,16V	CL05F104ZONC
30	C434	2203-005483	C-CERAMIC,CHIP;C683K,68NF,10V	GRP155R71A333KA01E
31	C435	2404-001086	C-TA,CHIP;4.7UF/6.3V	TESVSPOJ475M8RTJ
32	C436	2203-005061	C-CERAMIC,CHIP;C104Z,100NF,16V	CL05F104ZONC
33	C437	2203-000233	C-CERAMIC,CHIP;C101J,100PF,50V	GRP1555C1H101JD01E
34	C438	2203-005482	C-CERAMIC,CHIP;C104K,100NF,10V	GRP155R61A104KA01E
35	C439	2404-001105	C-TA,CHIP;10UF/6.3V	TCSCS0J106MPAS
36	C440	2203-005482	C-CERAMIC,CHIP;C104K,100NF,10V	GRP155R61A104KA01E
37	C450	2203-000854	C-CERAMIC,CHIP;C390J,39PF,50V	GRP1555C1H390JZ01E
38	C451	2203-000679	C-CERAMIC,CHIP;C270J,27PF,50V	GRP1555C1H270JZ01E

NO	Reference	SEC Code	Part Description	Vendor Part No
39	C502	2203-000679	C-CERAMIC,CHIP;C270J,27PF,50V	GRP1555C1H270JZ01E
40	C503	2203-003054	C-CERAMIC,CHIP;C090C,9PF,50V	GRP1555C1H9R0DZ01E
41	C504	2203-005503	C-CERAMIC,CHIP;C1801J,180PF,25V	CL05C181JANC
42	C505	2203-000233	C-CERAMIC,CHIP;C101J,100PF,50V	GRP1555C1H101JD01E
43	C506	2203-000233	C-CERAMIC,CHIP;C101J,100PF,50V	GRP1555C1H101JD01E
44	C507	2203-000233	C-CERAMIC,CHIP;C101J,100PF,50V	GRP1555C1H101JD01E
45	C508	2203-000233	C-CERAMIC,CHIP;C101J,100PF,50V	GRP1555C1H101JD01E
46	C510	2203-005503	C-CERAMIC,CHIP;C1801J,180PF,25V	CL05C181JANC
47	C511	2203-000812	C-CERAMIC,CHIP;C330J,33PF,50V	GRP1555C1H330JZ01E
48	C512	2203-000812	C-CERAMIC,CHIP;C330J,33PF,50V	GRP1555C1H330JZ01E
49	C513	2203-000812	C-CERAMIC,CHIP;C330J,33PF,50V	GRP1555C1H330JZ01E
50	C514	2203-000812	C-CERAMIC,CHIP;C330J,33PF,50V	GRP1555C1H330JZ01E
51	C515	2203-000254	C-CERAMIC,CHIP;C103K,10NF,16V	GRP155R71C103KA01E
52	C516	2203-000812	C-CERAMIC,CHIP;C330J,33PF,50V	GRP1555C1H330JZ01E
53	C517	2203-000812	C-CERAMIC,CHIP;C330J,33PF,50V	GRP1555C1H330JZ01E
54	C518	2203-000254	C-CERAMIC,CHIP;C103K,10NF,16V	GRP155R71C103KA01E
55	C519	2203-000254	C-CERAMIC,CHIP;C103K,10NF,16V	GRP155R71C103KA01E
56	C520	2203-000254	C-CERAMIC,CHIP;C103K,10NF,16V	GRP155R71C103KA01E
57	C521	2203-000254	C-CERAMIC,CHIP;C103K,10NF,16V	GRP155R71C103KA01E
58	C522	2203-000812	C-CERAMIC,CHIP;C330J,33PF,50V	GRP1555C1H330JZ01E
59	C523	2203-000812	C-CERAMIC,CHIP;C330J,33PF,50V	GRP1555C1H330JZ01E
60	C524	2203-000812	C-CERAMIC,CHIP;C330J,33PF,50V	GRP1555C1H330JZ01E
61	C525	2203-000812	C-CERAMIC,CHIP;C330J,33PF,50V	GRP1555C1H330JZ01E
62	C526	2203-005061	C-CERAMIC,CHIP;C104Z,100NF,16V	CL05F104ZONC
63	C527	2203-000254	C-CERAMIC,CHIP;C103K,10NF,16V	GRP155R71C103KA01E
64	C528	2203-000679	C-CERAMIC,CHIP;C270J,27PF,50V	GRP1555C1H270JZ01E
65	C529	2203-000679	C-CERAMIC,CHIP;C270J,27PF,50V	GRP1555C1H270JZ01E
66	C530	2203-000679	C-CERAMIC,CHIP;C270J,27PF,50V	GRP1555C1H270JZ01E
67	C531	2203-000679	C-CERAMIC,CHIP;C270J,27PF,50V	GRP1555C1H270JZ01E
68	C532	2203-005480	C-CERAMIC,CHIP;C333K,33NF,10V	GRP155R71A333KA01E
69	C537	2203-003054	C-CERAMIC,CHIP;C090C,9PF,50V	GRP1555C1H9R0DZ01E
70	C538	2203-005480	C-CERAMIC,CHIP;C333K,33NF,10V	GRP155R71A333KA01E
71	C539	2203-000812	C-CERAMIC,CHIP;C330J,33PF,50V	GRP1555C1H330JZ01E
72	C540	2203-000812	C-CERAMIC,CHIP;C330J,33PF,50V	GRP1555C1H330JZ01E
73	C541	2203-005481	C-CERAMIC,CHIP;C473K,47NF,10V	GRP155R71A473KA01E
74	C542	2203-003054	C-CERAMIC,CHIP;C090C,9PF,50V	GRP1555C1H9R0DZ01E
75	C544	2203-000679	C-CERAMIC,CHIP;C270J,27PF,50V	GRP1555C1H270JZ01E
76	C545	2203-000679	C-CERAMIC,CHIP;C270J,27PF,50V	GRP1555C1H270JZ01E
77	C547	2203-000254	C-CERAMIC,CHIP;C103K,10NF,16V	GRP155R71C103KA01E
78	C548	2203-003054	C-CERAMIC,CHIP;C090C,9PF,50V	GRP1555C1H9R0DZ01E
79	C549	2203-000254	C-CERAMIC,CHIP;C103K,10NF,16V	GRP155R71C103KA01E
80	C550	2203-000254	C-CERAMIC,CHIP;C103K,10NF,16V	GRP155R71C103KA01E

NO	Reference	SEC Code	Part Description	Vendor Part No
81	C551	2203-000254	C-CERAMIC,CHIP;C103K,10NF,16V	GRP155R71C103KA01E
82	C552	2203-000812	C-CERAMIC,CHIP;C330J,33PF,50V	GRP1555C1H330JZ01E
83	C553	2404-001162	C-TA,CHIP;F950G476MAAJZTQ2	F950G476MAAJZTQ2
84	C560	2203-003054	C-CERAMIC,CHIP;C090C,9PF,50V	GRP1555C1H9R0DZ01E
85	C561	2203-000386	C-CERAMIC,CHIP;C150J,15PF,50V	GRP1555C1H150JZ01E
86	C617	2203-000679	C-CERAMIC,CHIP;C270J,27PF,50V	GRP1555C1H270JZ01E
87	C633	2203-005052	C-CERAMIC,CHIP;C3R3C,3.3PF,50V	GRP1555C1H3R3CZ01E
88	C657	2203-001221	C-CERAMIC,CHIP;C821K,820PF,50V	GRP155R71H821KD01E
89	C659	2203-000233	C-CERAMIC,CHIP;C101J,100PF,50V	GRP1555C1H101JD01E
90	C660	2203-000233	C-CERAMIC,CHIP;C101J,100PF,50V	GRP1555C1H101JD01E
91	C661	2203-000995	C-CERAMIC,CHIP;C470J,47PF,50V	GRP1555C1H470JZ01E
92	C666	2203-000438	C-CERAMIC,CHIP;C102K,1NF,50V	GRP155R71H102KA01E
93	C667	2203-000679	C-CERAMIC,CHIP;C270J,27PF,50V	GRP1555C1H270JZ01E
94	C668	2203-000995	C-CERAMIC,CHIP;C470J,47PF,50V	GRP1555C1H470JZ01E
95	C680	2203-005288	C-CERAMIC,CHIP;C010B,1PF,50V	CL05C010BBNC
96	C701	2203-001101	C-CERAMIC,CHIP;C682K,6.8NF,25V	GRP155R71E682KA01E
97	D100	0401-001033	DIODE;MCL4154	MCL4154
98	F200	2901-001116	COMP-SMD;NFM39R12C471T1	NFM21CC471R1H3D
99	F201	2901-001116	COMP-SMD;NFM39R12C471T1	NFM21CC471R1H3D
100	F203	2901-001116	COMP-SMD;NFM39R12C471T1	NFM21CC471R1H3D
101	L200	2703-001752	INDUCTOR-SMD;LL1005-FH39NJ	LL1005-FH39NJ
102	L604	2703-002201	INDUCTOR-SMD;33NH,5%,1.0X0.5X0.5M	CIH05T33NJNC
103	L624	2703-002170	INDUCTOR-SMD;CIH05T6N8JNC	CIH05T6N8JNC
104	LED201	0601-001543	LED;CHIP,ORG/GRN/BLUE,2X2MM,605/5	HL500-F01-SS
105	OSC401	2801-004112	COMP-SMD;TSX-8A	TSX-8A
106	OSC500	2801-004025	COMP-SMD;FC-255	FC-255
107	Q200	0504-001012	TR-SMALL SIGNAL;DTC114YE	DTC114YE
108	Q201	0501-002202	TR-SMALL SIGNAL;MMBT2222AWT1	MMBT2222AWT1
109	Q202	0504-001012	TR-SMALL SIGNAL;DTC114YE	DTC114YE
110	Q203	0504-001012	TR-SMALL SIGNAL;DTC114YE	DTC114YE
111	Q600	0504-001058	TR-SMALL SIGNAL;RN4985-TE85L	RN4985-TE85L
112	R100	2007-000157	R-CHIP;47K,5%	RC1005J473CS
113	R101	2007-000140	R-CHIP;1K,5%	RC1005J102CS
114	R202	2007-000162	R-CHIP;100K,5%	RC1005J104CS
115	R205	2011-001344	R-CHIP;EXB28V101JX	EXB28V101JX
116	R206	2007-000138	R-CHIP;100,5%	RC1005J101CS
117	R207	2011-001344	R-CHIP;EXB28V101JX	EXB28V101JX
118	R208	2007-000170	R-CHIP;1M,5%	RC1005J105CS
119	R209	2007-000566	R-CHIP;220K,5%	RC1005J224CS
120	R210	2007-000138	R-CHIP;100,5%	RC1005J101CS
121	R211	2007-001301	R-CHIP;68,5%	RC1005J680CS
122	R212	2007-000139	R-CHIP;220,5%	RC1005J221CS

NO	Reference	SEC Code	Part Description	Vendor Part No
123	R215	2007-000140	R-CHIP;1K,5%	RC1005J102CS
124	R217	2007-000162	R-CHIP;100K,5%	RC1005J104CS
125	R400	2007-000148	R-CHIP;10K,5%	RC1005J103CS
126	R401	2007-000162	R-CHIP;100K,5%	RC1005J104CS
127	R402	2203-000714	C-CERAMIC,CHIP;C332K,3.3NF,50V	CL05B332KBNC
128	R403	2007-000162	R-CHIP;100K,5%	RC1005J104CS
129	R404	2007-000162	R-CHIP;100K,5%	RC1005J104CS
130	R405	2007-000162	R-CHIP;100K,5%	RC1005J104CS
131	R406	2007-000162	R-CHIP;100K,5%	RC1005J104CS
132	R407	2007-000162	R-CHIP;100K,5%	RC1005J104CS
133	R409	2007-000162	R-CHIP;100K,5%	RC1005J104CS
134	R410	2007-000148	R-CHIP;10K,5%	RC1005J103CS
135	R411	2007-000162	R-CHIP;100K,5%	RC1005J104CS
136	R412	2007-000162	R-CHIP;100K,5%	RC1005J104CS
137	R413	2007-007771	R-CHIP;0,5%	RC1005J000CS
138	R414	2007-000162	R-CHIP;100K,5%	RC1005J104CS
139	R422	2007-000170	R-CHIP;1M,5%	RC1005J105CS
140	R423	2007-001119	R-CHIP;680,5%	RC1005J681CS
141	R432	2007-001325	R-CHIP;3.3K,5%	RC1005J332CS
142	R438	2007-000775	R-CHIP;33K,5%	RC1005J333CS
143	R439	2007-007090	R-CHIP;11K,5%	ERJ2GEJ113X
144	R440	2007-001244	R-CHIP;91K,5%	RC1005J913CS
145	R441	2007-007771	R-CHIP;0,5%	RC1005J000CS
146	R443	2007-007771	R-CHIP;0,5%	RC1005J000CS
147	R500	2007-007317	R-CHIP;2.2K,1%	MCR01MZSF2201
148	R501	2007-007317	R-CHIP;2.2K,1%	MCR01MZSF2201
149	R502	2007-007317	R-CHIP;2.2K,1%	MCR01MZSF2201
150	R503	2007-007317	R-CHIP;2.2K,1%	MCR01MZSF2201
151	R504	2007-007318	R-CHIP;1K,1%	RK73H1ETP1001F
152	R506	2007-007318	R-CHIP;1K,1%	RK73H1ETP1001F
153	R507	2007-007318	R-CHIP;1K,1%	RK73H1ETP1001F
154	R508	2007-000162	R-CHIP;100K,5%	RC1005J104CS
155	R509	2007-000162	R-CHIP;100K,5%	RC1005J104CS
156	R511	2007-007318	R-CHIP;1K,1%	RK73H1ETP1001F
157	R512	2007-000157	R-CHIP;47K,5%	RC1005J473CS
158	R513	2007-000162	R-CHIP;100K,5%	RC1005J104CS
159	R514	2007-000148	R-CHIP;10K,5%	RC1005J103CS
160	R518	2007-000148	R-CHIP;10K,5%	RC1005J103CS
161	R519	2007-000148	R-CHIP;10K,5%	RC1005J103CS
162	R520	2007-000162	R-CHIP;100K,5%	RC1005J104CS
163	R521	2007-000152	R-CHIP;20K,5%	RC1005J203CS
164	R523	2007-000162	R-CHIP;100K,5%	RC1005J104CS

NO	Reference	SEC Code	Part Description	Vendor Part No
165	R524	2007-000157	R-CHIP;47K,5%	RC1005J473CS
166	R526	2007-000168	R-CHIP;470K,5%	RC1005J474CS
167	R527	2007-002796	R-CHIP;510,5%	MCR01MZSJ511
168	R528	2007-000162	R-CHIP;100K,5%	RC1005J104CS
169	R529	2007-000157	R-CHIP;47K,5%	RC1005J473CS
170	R530	2007-002796	R-CHIP;510,5%	MCR01MZSJ511
171	R531	2007-000139	R-CHIP;220,5%	RC1005J221CS
172	R532	2007-000141	R-CHIP;2.2K,5%	RC1005J222CS
173	R533	2007-000141	R-CHIP;2.2K,5%	RC1005J222CS
174	R535	2007-000148	R-CHIP;10K,5%	RC1005J103CS
175	R536	2007-000148	R-CHIP;10K,5%	RC1005J103CS
176	R538	2007-007981	R-CHIP;180K,1%	ERJ2RKF1803X
177	R540	2011-001345	R-CHIP;EXB28V103JX	EXB28V103JX
178	R541	2007-007488	R-CHIP;75K,1%	MCR01MZSF7502
179	R542	2007-000170	R-CHIP;1M,5%	RC1005J105CS
180	R543	2007-007771	R-CHIP;0,5%	RC1005J000CS
181	R544	2007-000170	R-CHIP;1M,5%	RC1005J105CS
182	R545	2007-000169	R-CHIP;510K,5%	RC1005J514CS
183	R587	2007-000162	R-CHIP;100K,5%	RC1005J104CS
184	R599	2007-000162	R-CHIP;100K,5%	RC1005J104CS
185	R601	2007-007771	R-CHIP;0,5%	RC1005J000CS
186	R617	2007-007698	R-CHIP;5.1K,1%	RK73H1ETP5101F
187	R618	2007-007142	R-CHIP;10K,1%	RK73H1ETP1002F
188	R619	2007-007142	R-CHIP;10K,1%	RK73H1ETP1002F
189	R622	2007-001311	R-CHIP;270,5%	RC1005J271CS
190	R623	2007-007311	R-CHIP;22K,1%	MCR01MZSF2202
191	R625	2007-001301	R-CHIP;68,5%	RC1005J680CS
192	R626	2007-001301	R-CHIP;68,5%	RC1005J680CS
193	R628	2007-007307	R-CHIP;150,1%	MCR01MZSF1500
194	R629	2007-007142	R-CHIP;10K,1%	RK73H1ETP1002F
195	R630	2007-001301	R-CHIP;68,5%	RC1005J680CS
196	R631	2007-001301	R-CHIP;68,5%	RC1005J680CS
197	U100	1203-002077	IC;LP2985AIM5-3.3	LP2985AIM5-3.3
198	U200	0504-001058	TR-SMALL SIGNAL;RN4985-TE85L	RN4985-TE85L
199	U401	1109-001204	IC;LRS1383	LRS1383
200	U402	1107-001336	IC-FLASH MEMORY;LHF80J23,512KX16B	LH28F800BJHB-PTTL90
201	U410	0801-002540	IC;NC7SZ19P6X	NC7SZ19P6X
202	U411	0801-002540	IC;NC7SZ19P6X	NC7SZ19P6X
203	U412	0505-001423	COMP-SMD;FDG6323L	FDG6323L
204	U413	0801-002727	IC-CMOS LOGIC;27WZ04,INVERTER,SOT	NL27WZ04DFT2
205	U414	1001-001145	IC;MAX4599EXT-T	MAX4599EXT-T
206	U415	1203-002443	IC-VOLTAGE REGULATOR;3981,MSOP,8P	LP3981MMX-3.03

NO	Reference	SEC Code	Part Description	Vendor Part No
207	U430	1204-001811	IC;YMU759-QE2	YMU759-QE2
208	U501	1205-001881	IC-COMM. CONTROLLER;VP40575,BGA,1	VP40575
209	U502	1001-001145	IC;MAX4599EXT-T	MAX4599EXT-T
210	U504	1103-001262	IC-EEPROM;24C512C1,512KBIT,LAP,8P	AT24C512C1-10CI-2.7
211	U506	1202-001036	IC;TC75W56FK-TE12L	TC75W56FK-TE12L
212	U611	1209-001354	IC-ETC, LINEAR;HD155173NPEL,QFP,2	HD155173NPEL
213	V500	1405-001082	COMP-SMD;VC040205X150R	VC040205X150R
214	V507	1405-001082	COMP-SMD;VC040205X150R	VC040205X150R
215	V508	1405-001082	COMP-SMD;VC040205X150R	VC040205X150R
216	V509	1405-001082	COMP-SMD;VC040205X150R	VC040205X150R
217	V509	1405-001093	COMP-SMD;VC040214X300	VC040214X300
218	V510	1405-001082	COMP-SMD;VC040205X150R	VC040205X150R
219	V511	1405-001082	COMP-SMD;VC040205X150R	VC040205X150R

3-2 Main Parts List Bottom

NO	Reference	SEC Code	Part Description	Vendor Part No
1	C105	2404-001105	C-TA,CHIP;10UF/6.3V	TCSCS0J106MPAS
2	C106	2203-005061	C-CERAMIC,CHIP;C104Z,100NF,16V	CL05F104ZONC
3	C107	2203-005065	C-CERAMIC,CHIP;C105Z,1UF,10V	CL10F105ZONC
4	C108	2203-000254	C-CERAMIC,CHIP;C103K,10NF,16V	GRP155R71C103KA01E
5	C109	2404-001105	C-TA,CHIP;10UF/6.3V	TCSCS0J106MPAS
6	C110	2203-005061	C-CERAMIC,CHIP;C104Z,100NF,16V	CL05F104ZONC
7	C111	2203-000254	C-CERAMIC,CHIP;C103K,10NF,16V	GRP155R71C103KA01E
8	C112	2203-005065	C-CERAMIC,CHIP;C105Z,1UF,10V	CL10F105ZONC
9	C112	2404-001105	C-TA,CHIP;10UF/6.3V	TCSCS0J106MPAS
10	C113	2404-001239	C-TA,CHIP;100UF/6.3V	F950J107MBAAQ2
11	C114	2404-001105	C-TA,CHIP;10UF/6.3V	TCSCS0J106MPAS
12	C115	2404-001239	C-TA,CHIP;100UF/6.3V	F950J107MBAAQ2
13	C116	2203-005065	C-CERAMIC,CHIP;C105Z,1UF,10V	CL10F105ZONC
14	C117	2203-000254	C-CERAMIC,CHIP;C103K,10NF,16V	GRP155R71C103KA01E
15	C118	2203-000254	C-CERAMIC,CHIP;C103K,10NF,16V	GRP155R71C103KA01E
16	C119	2404-001105	C-TA,CHIP;10UF/6.3V	TCSCS0J106MPAS
17	C120	2203-005061	C-CERAMIC,CHIP;C104Z,100NF,16V	CL05F104ZONC
18	C121	2203-000254	C-CERAMIC,CHIP;C103K,10NF,16V	GRP155R71C103KA01E
19	C123	2203-000254	C-CERAMIC,CHIP;C103K,10NF,16V	GRP155R71C103KA01E
20	C124	2404-001105	C-TA,CHIP;10UF/6.3V	TCSCS0J106MPAS
21	C125	2203-000679	C-CERAMIC,CHIP;C270J,27PF,50V	GRP1555C1H270JZ01E
22	C126	2404-001231	C-TA,CHIP;47UH/6.3V	595D476X06R3A2T
23	C127	2203-005065	C-CERAMIC,CHIP;C105Z,1UF,10V	CL10F105ZONC
24	C128	2203-000254	C-CERAMIC,CHIP;C103K,10NF,16V	GRP155R71C103KA01E
25	C150	2203-005065	C-CERAMIC,CHIP;C105Z,1UF,10V	CL10F105ZONC
26	C200	2203-000679	C-CERAMIC,CHIP;C270J,27PF,50V	GRP1555C1H270JZ01E
27	C201	2203-001153	C-CERAMIC,CHIP;C680J,68PF,50V	GRP1555C1H680JD01E
28	C217	2203-005061	C-CERAMIC,CHIP;C104Z,100NF,16V	CL05F104ZONC
29	C300	2203-005061	C-CERAMIC,CHIP;C104Z,100NF,16V	CL05F104ZONC
30	C303	2203-005065	C-CERAMIC,CHIP;C105Z,1UF,10V	CL10F105ZONC
31	C304	2203-000679	C-CERAMIC,CHIP;C270J,27PF,50V	GRP1555C1H270JZ01E
32	C306	2203-005061	C-CERAMIC,CHIP;C104Z,100NF,16V	CL05F104ZONC
33	C316	2404-001020	C-TA,CHIP;10UF/10V	T491A106M010AS
34	C317	2404-001105	C-TA,CHIP;10UF/6.3V	TCSCS0J106MPAS
35	C318	2203-005061	C-CERAMIC,CHIP;C104Z,100NF,16V	CL05F104ZONC
36	C321	2203-005481	C-CERAMIC,CHIP;C473K,47NF,10V	GRP155R71A473KA01E
37	C322	2404-001105	C-TA,CHIP;10UF/6.3V	TCSCS0J106MPAS
38	C333	2203-005061	C-CERAMIC,CHIP;C104Z,100NF,16V	CL05F104ZONC
39	C533	2203-000995	C-CERAMIC,CHIP;C470J,47PF,50V	GRP1555C1H470JZ01E
40	C534	2203-000995	C-CERAMIC,CHIP;C470J,47PF,50V	GRP1555C1H470JZ01E
41	C554	2203-001017	C-CERAMIC,CHIP;C040C,4PF,50V	GRP1555C1H4R0CZ01E
42	C555	2203-001017	C-CERAMIC,CHIP;C040C,4PF,50V	GRP1555C1H4R0CZ01E

NO	Reference	SEC Code	Part Description	Vendor Part No
43	C556	2203-000386	C-CERAMIC,CHIP;C150J,15PF,50V	GRP1555C1H150JZ01E
44	C557	2203-003054	C-CERAMIC,CHIP;C090C,9PF,50V	GRP1555C1H9R0DZ01E
45	C590	2203-005482	C-CERAMIC,CHIP;C104K,100NF,10V	GRP155R61A104KA01E
46	C591	2203-000254	C-CERAMIC,CHIP;C103K,10NF,16V	GRP155R71C103KA01E
47	C600	2203-000438	C-CERAMIC,CHIP;C102K,1NF,50V	GRP155R71H102KA01E
48	C601	2203-000254	C-CERAMIC,CHIP;C103K,10NF,16V	GRP155R71C103KA01E
49	C602	2203-000278	C-CERAMIC,CHIP;C100D,10PF,50V	GRP1555C1H100JZ01E
50	C604	2203-001259	C-CERAMIC,CHIP;C080D,8PF,50V	GRP1555C1H8R0DZ01E
51	C605	2203-005055	C-CERAMIC,CHIP;C5R6C,5.6PF,50V	GRP1555C1H5R6CZ01E
52	C607	2203-000278	C-CERAMIC,CHIP;C100D,10PF,50V	GRP1555C1H100JZ01E
53	C608	2203-000233	C-CERAMIC,CHIP;C101J,100PF,50V	GRP1555C1H101JD01E
54	C609	2203-000679	C-CERAMIC,CHIP;C270J,27PF,50V	GRP1555C1H270JZ01E
55	C611	2203-000995	C-CERAMIC,CHIP;C470J,47PF,50V	GRP1555C1H470JZ01E
56	C612	2203-001259	C-CERAMIC,CHIP;C080D,8PF,50V	GRP1555C1H8R0DZ01E
57	C615	2203-000438	C-CERAMIC,CHIP;C102K,1NF,50V	GRP155R71H102KA01E
58	C618	2203-000654	C-CERAMIC,CHIP;C271K,270PF,50V	GRP155R71H271KD01E
59	C619	2203-000679	C-CERAMIC,CHIP;C270J,27PF,50V	GRP1555C1H270JZ01E
60	C620	2203-000679	C-CERAMIC,CHIP;C270J,27PF,50V	GRP1555C1H270JZ01E
61	C621	2203-000278	C-CERAMIC,CHIP;C100D,10PF,50V	GRP1555C1H100JZ01E
62	C622	2203-000438	C-CERAMIC,CHIP;C102K,1NF,50V	GRP155R71H102KA01E
63	C623	2203-000233	C-CERAMIC,CHIP;C101J,100PF,50V	GRP1555C1H101JD01E
64	C624	2203-000233	C-CERAMIC,CHIP;C101J,100PF,50V	GRP1555C1H101JD01E
65	C625	2203-005053	C-CERAMIC,CHIP;C3R9C,3.9PF,50V	CL05C3R9CBNC
66	C626	2203-000812	C-CERAMIC,CHIP;C330J,33PF,50V	GRP1555C1H330JZ01E
67	C627	2203-000438	C-CERAMIC,CHIP;C102K,1NF,50V	GRP155R71H102KA01E
68	C630	2203-000359	C-CERAMIC,CHIP;C151J,150PF,50V	GRP1555C1H151JD01E
69	C631	2203-000654	C-CERAMIC,CHIP;C271K,270PF,50V	GRP155R71H271KD01E
70	C632	2203-000438	C-CERAMIC,CHIP;C102K,1NF,50V	GRP155R71H102KA01E
71	C635	2203-000679	C-CERAMIC,CHIP;C270J,27PF,50V	GRP1555C1H270JZ01E
72	C636	2203-000438	C-CERAMIC,CHIP;C102K,1NF,50V	GRP155R71H102KA01E
73	C637	2203-000679	C-CERAMIC,CHIP;C270J,27PF,50V	GRP1555C1H270JZ01E
74	C638	2203-000438	C-CERAMIC,CHIP;C102K,1NF,50V	GRP155R71H102KA01E
75	C639	2203-000254	C-CERAMIC,CHIP;C103K,10NF,16V	GRP155R71C103KA01E
76	C640	2203-000812	C-CERAMIC,CHIP;C330J,33PF,50V	GRP1555C1H330JZ01E
77	C641	2404-001105	C-TA,CHIP;10UF/6.3V	TCSCS0J106MPAS
78	C643	2203-000233	C-CERAMIC,CHIP;C101J,100PF,50V	GRP1555C1H101JD01E
79	C644	2404-001280	C-TA,CHIP;220UF,20%,6.3V,LZ,TP,71	F750J227MUCGZT
80	C645	2203-000438	C-CERAMIC,CHIP;C102K,1NF,50V	GRP155R71H102KA01E
81	C646	2203-005446	C-CERAMIC,CHIP;C2R7B,2.7PF,50V	GRP1555C1H2R7BZ01E
82	C647	2203-005050	C-CERAMIC,CHIP;C1R8C,1.8PF,50V	GRP1555C1H1R8CZ01E
83	C648	2203-000438	C-CERAMIC,CHIP;C102K,1NF,50V	GRP155R71H102KA01E
84	C649	2404-001101	C-TA,CHIP;1UF/16V	TAJR105M016R

NO	Reference	SEC Code	Part Description	Vendor Part No
85	C650	2203-000438	C-CERAMIC,CHIP;C102K,1NF,50V	GRP155R71H102KA01E
86	C651	2203-000812	C-CERAMIC,CHIP;C330J,33PF,50V	GRP1555C1H330JZ01E
87	C652	2203-002443	C-CERAMIC,CHIP;C331K,330PF,50V	CL05B331KBNC
88	C653	2301-001197	C-CERAMIC,CHIP;390PF,16V	ECHU1H391JX5
89	C654	2301-001213	C-CERAMIC,CHIP;6.8NF,16V	ECHU1C682JX5
90	C655	2203-000679	C-CERAMIC,CHIP;C270J,27PF,50V	GRP1555C1H270JZ01E
91	C658	2203-000812	C-CERAMIC,CHIP;C330J,33PF,50V	GRP1555C1H330JZ01E
92	C662	2203-002525	C-CERAMIC,CHIP;C561K,560PF,50V	GRP155R71H561KD01E
93	C664	2203-000233	C-CERAMIC,CHIP;C101J,100PF,50V	GRP1555C1H101JD01E
94	C665	2203-000233	C-CERAMIC,CHIP;C101J,100PF,50V	GRP1555C1H101JD01E
95	C669	2203-000254	C-CERAMIC,CHIP;C103K,10NF,16V	GRP155R71C103KA01E
96	C670	2203-002525	C-CERAMIC,CHIP;C561K,560PF,50V	GRP155R71H561KD01E
97	C671	2203-000254	C-CERAMIC,CHIP;C103K,10NF,16V	GRP155R71C103KA01E
98	C672	2203-000438	C-CERAMIC,CHIP;C102K,1NF,50V	GRP155R71H102KA01E
99	C673	2203-002525	C-CERAMIC,CHIP;C561K,560PF,50V	GRP155R71H561KD01E
100	C674	2203-000254	C-CERAMIC,CHIP;C103K,10NF,16V	GRP155R71C103KA01E
101	C675	2203-000233	C-CERAMIC,CHIP;C101J,100PF,50V	GRP1555C1H101JD01E
102	C676	2203-000233	C-CERAMIC,CHIP;C101J,100PF,50V	GRP1555C1H101JD01E
103	C677	2203-000233	C-CERAMIC,CHIP;C101J,100PF,50V	GRP1555C1H101JD01E
104	C678	2203-000233	C-CERAMIC,CHIP;C101J,100PF,50V	GRP1555C1H101JD01E
105	C679	2203-000679	C-CERAMIC,CHIP;C270J,27PF,50V	GRP1555C1H270JZ01E
106	C700	2203-000330	C-CERAMIC,CHIP;C120J,12PF,50V	GRP1555C1H120JZ01E
107	CN2	3710-001105	CONNECTOR;24-8005-002-000-867	24-8005-002-000-867
108	CN211	3711-004937	CONNECTOR;AXK6F14335J	AXK6F14335J
109	CN220	3710-001595	CONNECTOR;1004-0018-304	1004-0018-304
110	CN3	3710-001105	CONNECTOR;24-8005-002-000-867	24-8005-002-000-867
111	CN310	3709-001177	CONNECTOR;ID1AS1-6S-2.54SFD	ID1AS1-6S-2.54SFD
112	CN501	3722-001715	JACK-PHONE;6P,2.3PI,AG,BLK,-	02-828P0-53BKA
113	D300	0407-001007	DIODE;UMN1	UMN1
114	L500	2703-001752	INDUCTOR-SMD;LL1005-FH39NJ	LL1005-FH39NJ
115	L600	2703-001669	INDUCTOR-SMD;72nH,5%,1.8x1.12x1.0	0603CS-72NXJBC
116	L601	2703-001669	INDUCTOR-SMD;72nH,5%,1.8x1.12x1.0	0603CS-72NXJBC
117	L602	2703-002201	INDUCTOR-SMD;33NH,5%,1.0X0.5X0.5M	CIH05T33NJNC
118	L603	2703-001514	INDUCTOR-SMD;0603CS-68NXJBC	0603CS-68NXJBC
119	L605	2703-002268	INDUCTOR-SMD;CIH05T8N2JNC	CIH05T8N2JNC
120	L606	2703-002204	INDUCTOR-SMD;22NH,5%,1.0X0.5X0.5M	CIH05T22NJNC
121	L607	2703-002281	INDUCTOR-SMD;CIH05T5N6SNC	CIH05T5N6SNC
122	L608	2703-002170	INDUCTOR-SMD;CIH05T6N8JNC	CIH05T6N8JNC
123	L609	2703-002201	INDUCTOR-SMD;33NH,5%,1.0X0.5X0.5M	CIH05T33NJNC
124	L612	2703-001685	INDUCTOR-SMD;0603CS-82NXJBC	0603CS-82NXJBC
125	L615	2703-002170	INDUCTOR-SMD;CIH05T6N8JNC	CIH05T6N8JNC
126	L616	2703-002170	INDUCTOR-SMD;CIH05T6N8JNC	CIH05T6N8JNC

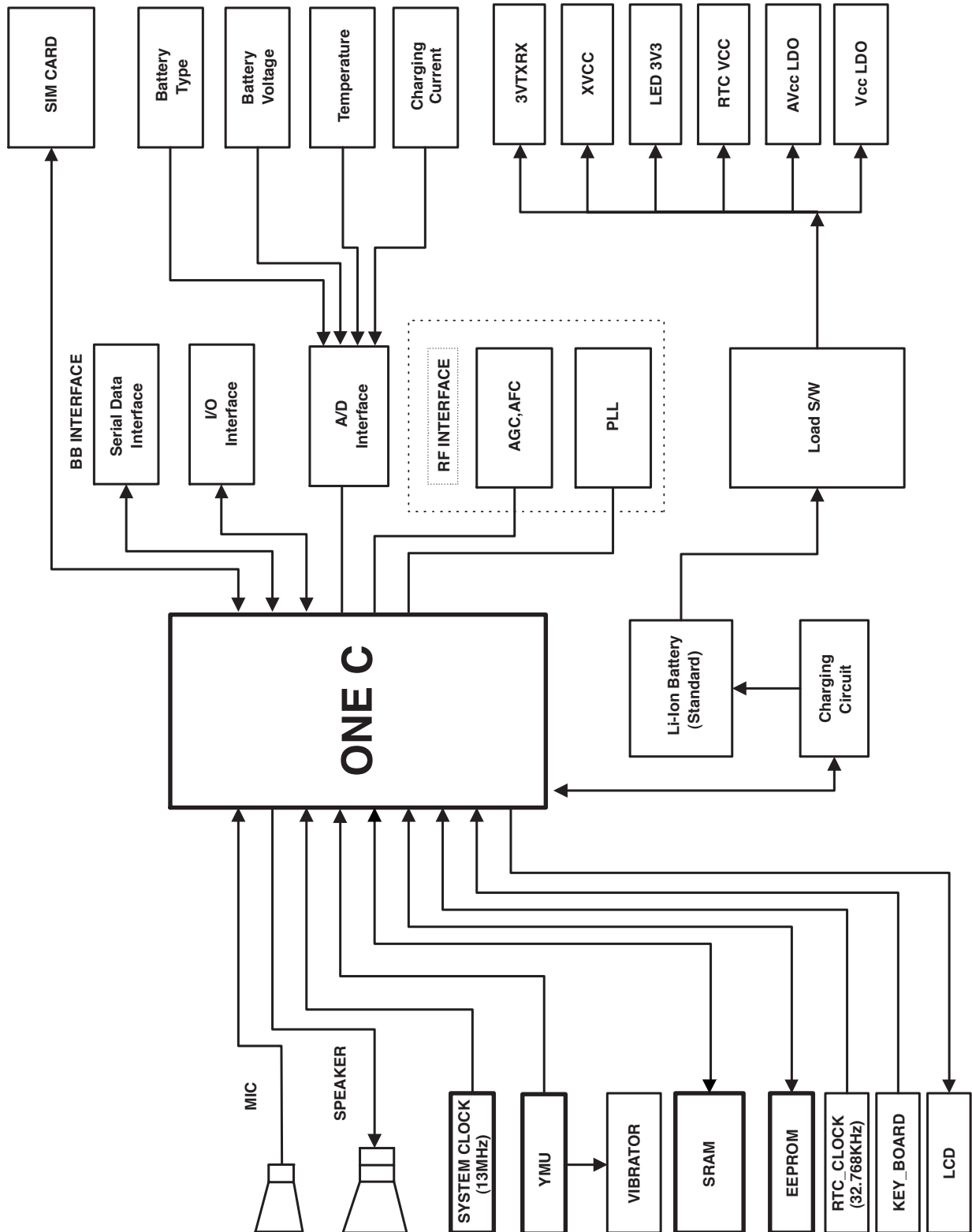
NO	Reference	SEC Code	Part Description	Vendor Part No
127	L618	2703-002207	INDUCTOR-SMD;CIH05T3N3SNC	CIH05T3N3SNC
128	L620	2703-002268	INDUCTOR-SMD;CIH05T8N2JNC	CIH05T8N2JNC
129	L622	2703-002198	INDUCTOR-SMD;10NH,5%,1.0X0.5X0.5M	CIH05T10NJNC
130	L623	2703-002208	INDUCTOR-SMD;2.2NH,0.3NH,1.0X0.5X	CIH05T2N2SNC
131	M100	4302-001119	BATTERY-LI(2ND);3V,0.1MAH,-,-,3.1	
132	Q300	0506-001004	TR-SMALL SIGNAL;UMC5NTL	UMC5NTR
133	Q303	0501-002346	TR-SMALL SIGNAL;2SB1427-E-T100	2SB1427-E-T100
134	Q600	0504-001058	TR-SMALL SIGNAL;RN4985-TE85L	RN4985-TE85L
135	Q601	0504-001058	TR-SMALL SIGNAL;RN4985-TE85L	RN4985-TE85L
136	Q602	0504-001058	TR-SMALL SIGNAL;RN4985-TE85L	RN4985-TE85L
137	Q603	0504-001012	TR-SMALL SIGNAL;DTC114YE	DTC114YE
138	Q604	0501-000225	TR-SMALL SIGNAL;2SC4617	2SC4617R
139	R102	2007-000162	R-CHIP;100K,5%	RC1005J104CS
140	R103	2007-000162	R-CHIP;100K,5%	RC1005J104CS
141	R104	2007-000140	R-CHIP;1K,5%	RC1005J102CS
142	R105	2007-000162	R-CHIP;100K,5%	RC1005J104CS
143	R107	2007-000140	R-CHIP;1K,5%	RC1005J102CS
144	R108	2007-000140	R-CHIP;1K,5%	RC1005J102CS
145	R300	2007-000162	R-CHIP;100K,5%	RC1005J104CS
146	R301	2007-000162	R-CHIP;100K,5%	RC1005J104CS
147	R302	2007-000148	R-CHIP;10K,5%	RC1005J103CS
148	R303	2007-000162	R-CHIP;100K,5%	RC1005J104CS
149	R304	2007-000162	R-CHIP;100K,5%	RC1005J104CS
150	R305	2007-000162	R-CHIP;100K,5%	RC1005J104CS
151	R306	2007-000148	R-CHIP;10K,5%	RC1005J103CS
152	R307	2007-000159	R-CHIP;56K,5%	RC1005J563CS
153	R310	2007-000143	R-CHIP;4.7K,5%	RC1005J472CS
154	R320	2007-007590	R-CHIP;82K,1%	MCR01MZSF8202
155	R323	2007-007107	R-CHIP;100K,1%	RK73H1ETP1003F
156	R328	2007-008117	R-CHIP;2.7K,1%	RK73H1ETP2701F
157	R331	2007-000170	R-CHIP;1M,5%	RC1005J105CS
158	R332	2007-003028	R-CHIP;750K,5%	ERJ2GEJ754X
159	R510	2007-000162	R-CHIP;100K,5%	RC1005J104CS
160	R525	2007-000139	R-CHIP;220,5%	RC1005J221CS
161	R590	2007-000148	R-CHIP;10K,5%	RC1005J103CS
162	R602	2007-001298	R-CHIP;51,5%	RC1005J510CS
163	R604	2007-000172	R-CHIP;10,5%	RC1005J100CS
164	R605	2007-001298	R-CHIP;51,5%	RC1005J510CS
165	R606	2007-001335	R-CHIP;36K,5%	RC1005J363CS
166	R607	2007-000139	R-CHIP;220,5%	RC1005J221CS
167	R608	2007-000139	R-CHIP;220,5%	RC1005J221CS
168	R609	2007-001290	R-CHIP;24,5%	RC1005J240CS

NO	Reference	SEC Code	Part Description	Vendor Part No
169	R610	2007-000138	R-CHIP;100,5%	RC1005J101CS
170	R611	2007-001290	R-CHIP;24,5%	RC1005J240CS
171	R612	2007-001301	R-CHIP;68,5%	RC1005J680CS
172	R613	2007-000139	R-CHIP;220,5%	RC1005J221CS
173	R614	2007-000139	R-CHIP;220,5%	RC1005J221CS
174	R615	2007-000138	R-CHIP;100,5%	RC1005J101CS
175	R616	2007-000138	R-CHIP;100,5%	RC1005J101CS
176	R621	2007-000174	R-CHIP;47,5%	RC1005J470CS
177	R624	2007-000148	R-CHIP;10K,5%	RC1005J103CS
178	R632	2007-000140	R-CHIP;1K,5%	RC1005J102CS
179	R633	2007-000148	R-CHIP;10K,5%	RC1005J103CS
180	R634	2007-000148	R-CHIP;10K,5%	RC1005J103CS
181	R635	2007-000141	R-CHIP;2.2K,5%	RC1005J222CS
182	R636	2007-007529	R-CHIP;91K,1%	MCR01MZSF9102
183	R637	2007-000172	R-CHIP;10,5%	RC1005J100CS
184	R638	2007-000155	R-CHIP;27K,5%	RC1005J273CS
185	R639	2007-000148	R-CHIP;10K,5%	RC1005J103CS
186	R640	2007-000140	R-CHIP;1K,5%	RC1005J102CS
187	R641	2007-000148	R-CHIP;10K,5%	RC1005J103CS
188	R642	2011-001264	R-NETWORK;10ohm,5%,1/16W,L,CHIP,8	EXB28V100J
189	R643	2007-000140	R-CHIP;1K,5%	RC1005J102CS
190	R644	2007-000172	R-CHIP;10,5%	RC1005J100CS
191	SW1	3404-001152	COMP-SMD;LS10N2-T	LS10N2-T
192	SW2	3404-001152	COMP-SMD;LS10N2-T	LS10N2-T
193	TH300	1404-001005	COMP-SMD;NTH5G40B473J01TE	NCP21WB473J03RA
194	U102	1203-002076	IC;LP2985AIM5-3.0	LP2985AIM5-3.0
195	U103	1203-001701	IC;LP2982AIM5X-3.0	LP2982AIM5X-3.0
196	U104	0505-001423	COMP-SMD;FDG6323L	FDG6323L
197	U105	1203-002076	IC;LP2985AIM5-3.0	LP2985AIM5-3.0
198	U106	0505-001376	COMP-SMD;FDC6329L	FDC6329L
199	U110	1203-002076	IC;LP2985AIM5-3.0	LP2985AIM5-3.0
200	U111	0505-001423	COMP-SMD;FDG6323L	FDG6323L
201	U300	0505-001423	COMP-SMD;FDG6323L	FDG6323L
202	U302	1003-001440	IC-POWER DRIVER;MDC3105LT1,SOT-23	MDC3105LT1
203	U303	1203-002127	IC;LTC1734ES6-4.2#TR	LTC1734ES6-4.2#TR
204	U304	1203-001903	IC;LTC1986ES6	LTC1986ES6
205	U505	1203-002247	IC;S-80926ALMP-DAP-T2	S-80926ALMP-DAP-T2
206	U600	3705-001242	CONNECTOR;CRS5001-1702	CRS5001-1702
207	U601	2903-001266	COMP-SMD;MKFC225.000MBA701X-TC11	SAFCJ225MRA0X01R11
208	U602	2909-001146	FILTER-DUPLEXER;942.5MHZ,897.5MHZ	LMG002S-5008C
209	U604	2904-001328	FILTER-SAW;1.8425GHZ,75MHZ,925~96	FAR-G6CS-1G8425-L250
210	U605	1205-001935	IC;HD155128TF	HD155128TF

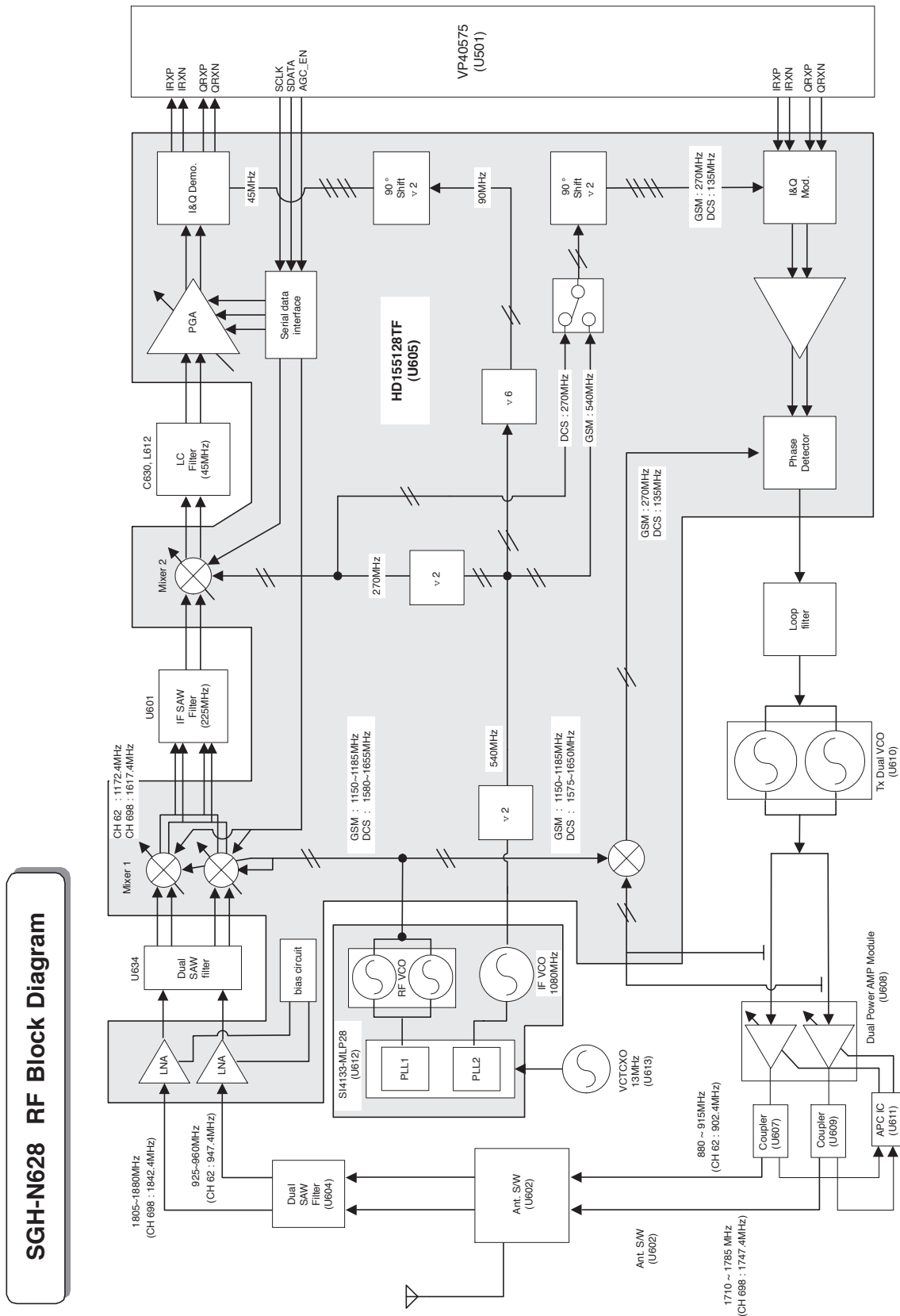
NO	Reference	SEC Code	Part Description	Vendor Part No
211	U607	4709-001214	COMP-SMD;DCS214E-0897	
212	U608	1201-001821	IC-POWER AMP;08122,-,8P,-,DUAL,34	PF08122BS-TB
213	U609	4709-001213	COMP-SMD;DCS214E-1747	
214	U610	2806-001259	OSCILLATOR-VCO;1748MHZ,-,TP,2.8	VOD1748C29KRA
215	U612	1209-001337	IC-PLL/SYNTHESISER;SI4133G-XM2R,L	SI4133G-XM2R
216	U613	2809-001252	OSCILLATOR-VCTCXO;13MHZ,2.5PPM,10	KT16-KEU30L-13.000M-T
217	U634	2904-001328	FILTER-SAW;1.8425GHZ,75MHZ,925~96	FAR-G6CS-1G8425-L250
218	U636	1405-001110	VARISTOR;18V,20A,1X0.5X0.6MM,TP	AVLC 14S 02 050
219	V200	1405-001110	VARISTOR;18V,20A,1X0.5X0.6MM,TP	AVLC 14S 02 050
220	V201	1405-001110	VARISTOR;18V,20A,1X0.5X0.6MM,TP	AVLC 14S 02 050
221	V2010	1405-001093	COMP-SMD;VC040214X300	VC040214X300
222	V202	1405-001110	VARISTOR;18V,20A,1X0.5X0.6MM,TP	AVLC 14S 02 050
223	V203	1405-001110	VARISTOR;18V,20A,1X0.5X0.6MM,TP	AVLC 14S 02 050
224	V204	1405-001110	VARISTOR;18V,20A,1X0.5X0.6MM,TP	AVLC 14S 02 050
225	V205	1405-001082	COMP-SMD;VC040205X150R	VC040205X150R
226	V206	1405-001110	VARISTOR;18V,20A,1X0.5X0.6MM,TP	AVLC 14S 02 050
227	V207	1405-001110	VARISTOR;18V,20A,1X0.5X0.6MM,TP	AVLC 14S 02 050
228	V208	1405-001110	VARISTOR;18V,20A,1X0.5X0.6MM,TP	AVLC 14S 02 050
229	V212	1405-001093	COMP-SMD;VC040214X300	VC040214X300
230	V213	1405-001093	COMP-SMD;VC040214X300	VC040214X300
231	V300	1405-001082	COMP-SMD;VC040205X150R	VC040205X150R
232	V401	1405-001082	COMP-SMD;VC040205X150R	VC040205X150R
233	V402	1405-001082	COMP-SMD;VC040205X150R	VC040205X150R
234	V501	1405-001082	COMP-SMD;VC040205X150R	VC040205X150R
235	V502	1405-001082	COMP-SMD;VC040205X150R	VC040205X150R
236	V503	1405-001082	COMP-SMD;VC040205X150R	VC040205X150R
237	V504	1405-001082	COMP-SMD;VC040205X150R	VC040205X150R
238	V505	1405-001082	COMP-SMD;VC040205X150R	VC040205X150R
239	V506	1405-001082	COMP-SMD;VC040205X150R	VC040205X150R
240	ZD202	0406-001104	DIODE;ESDA6V1-5W6	ESDA6V1-5W6
241	ZD203	0406-001104	DIODE;ESDA6V1-5W6	ESDA6V1-5W6
242		GH61-00026A	SPRING ETC-ANT.CONTACT;SGH-N620,B	

4. Block Diagrams

4-1 Main Base Band



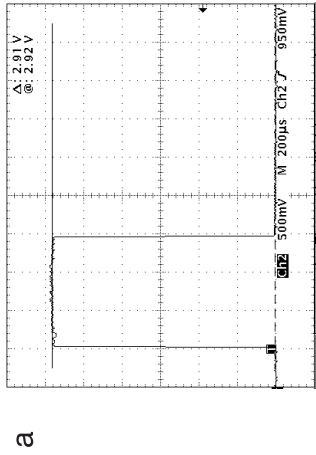
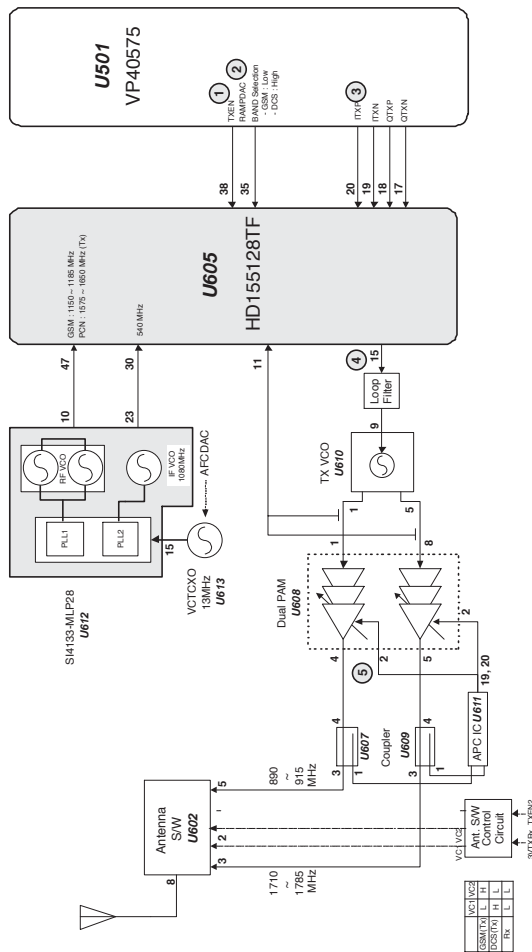
4-2 Main RF



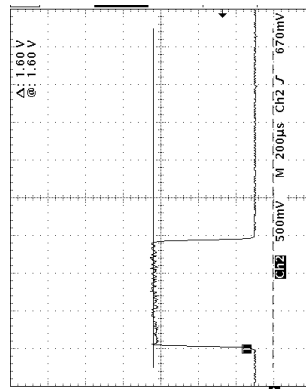
4-2-1 RF Tx Part

SGH-N628 RF Block Diagram - Tx Part

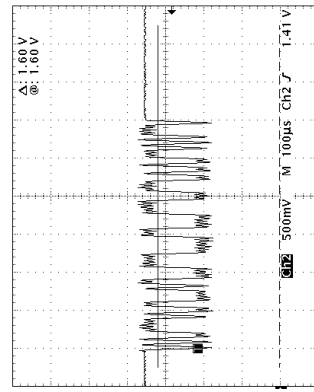
- GSM : Tx level 5 @ 60 CH
- DCS : Tx level 0 @ 698 CH



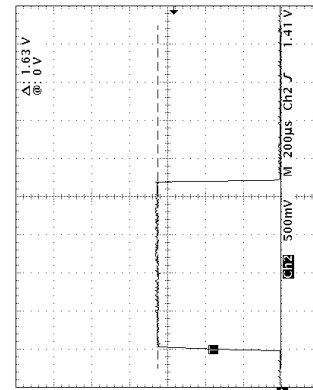
a



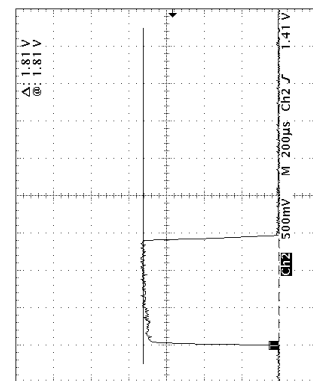
b



c



d

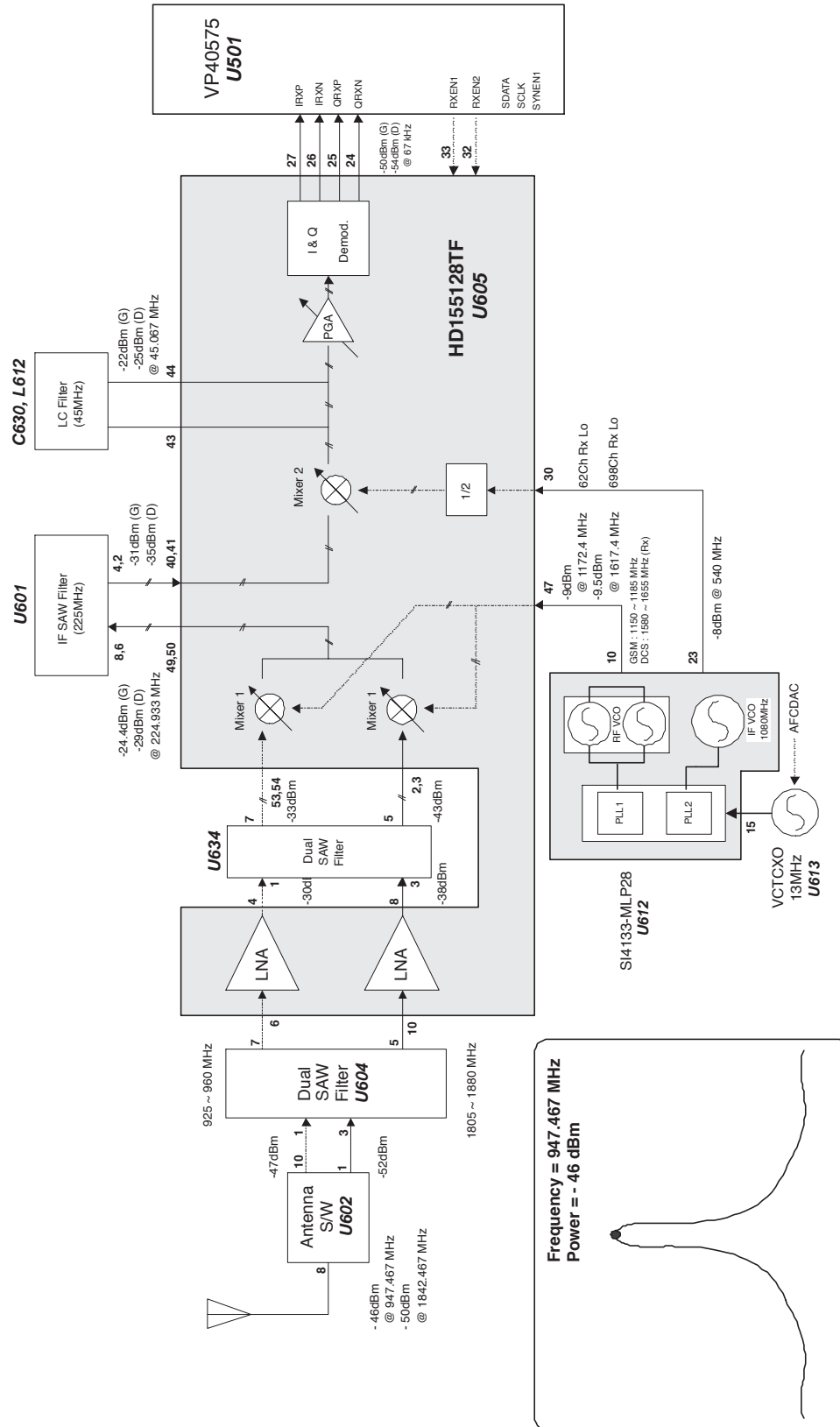


e

4-2-2 RF Rx Part

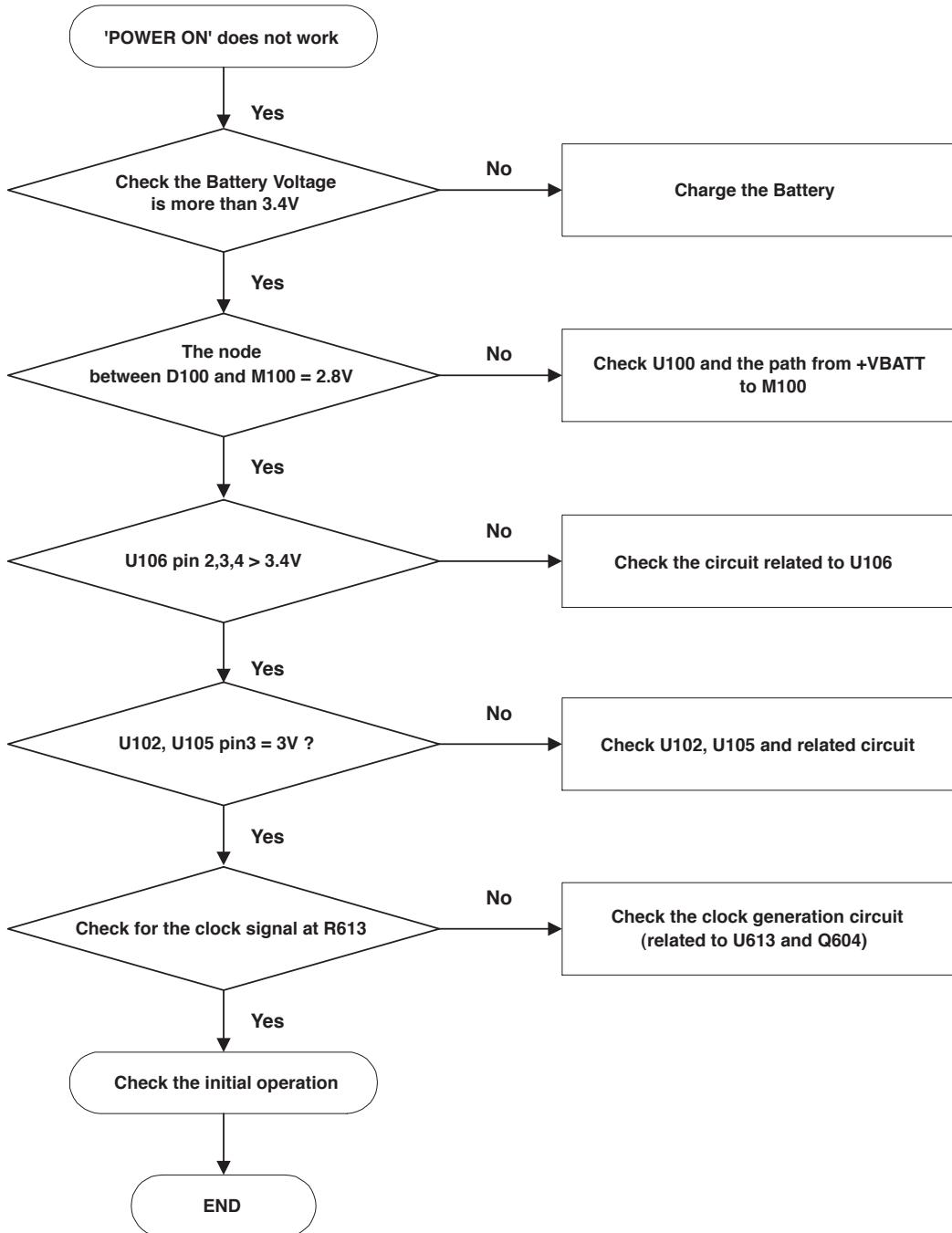
- GSM : Tx level 5 @ 60 CH, BS Power = - 40 dBm
- DCS : Tx level 0 @ 698 CH, BS Power = - 40 dBm

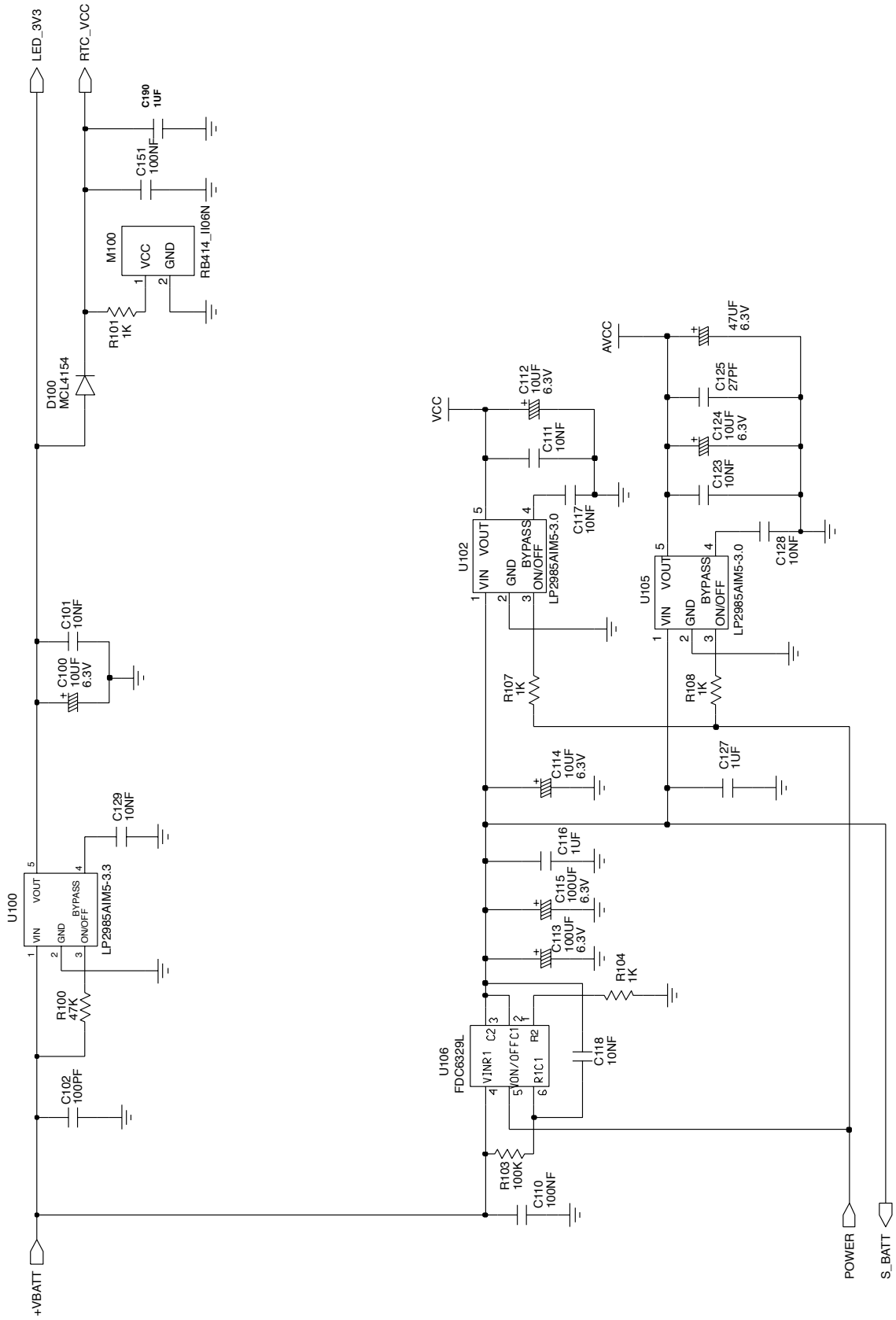
SGH-N628 RF Block Diagram - Rx Part



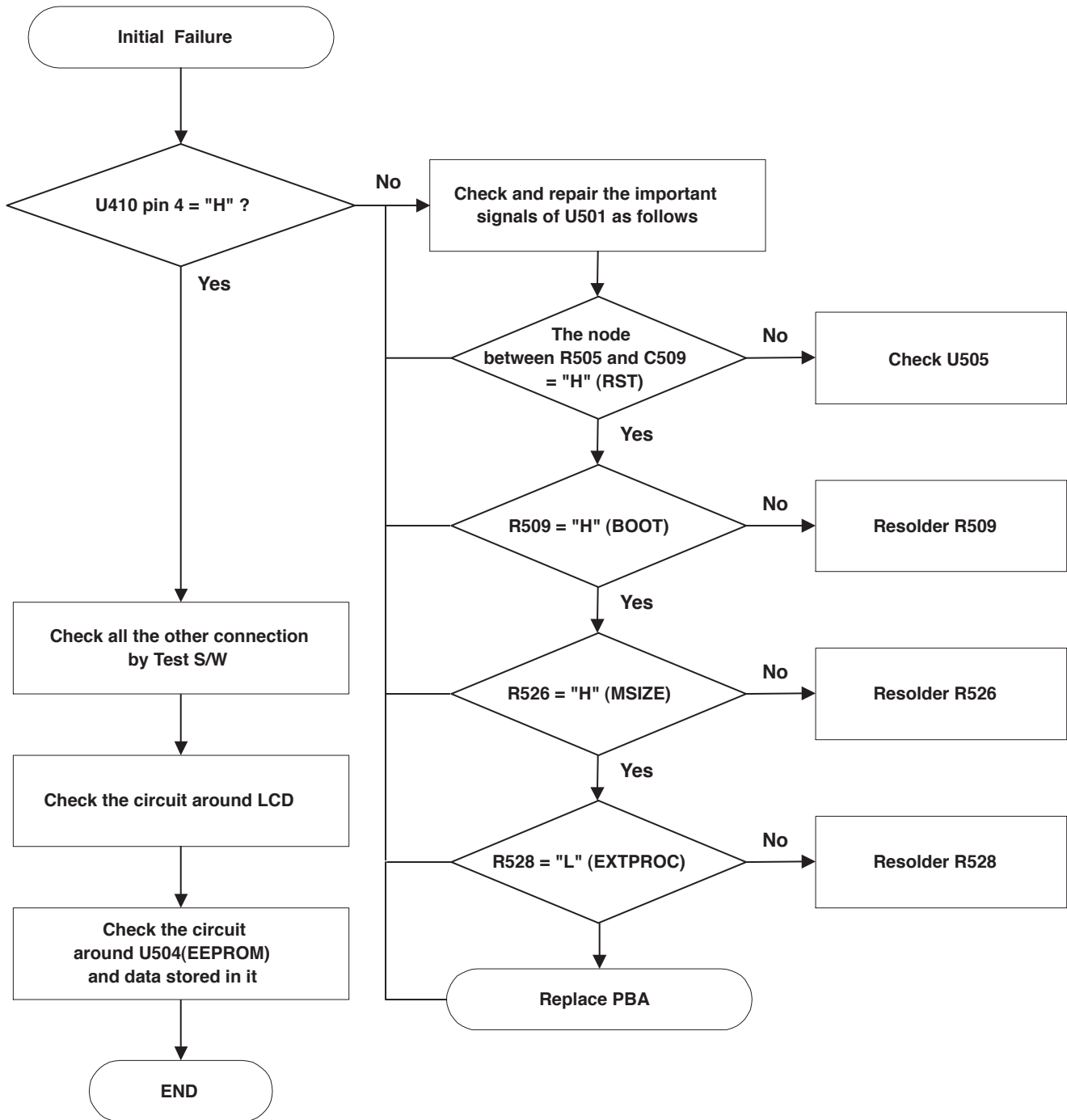
5. Flow chart of trouble shooting

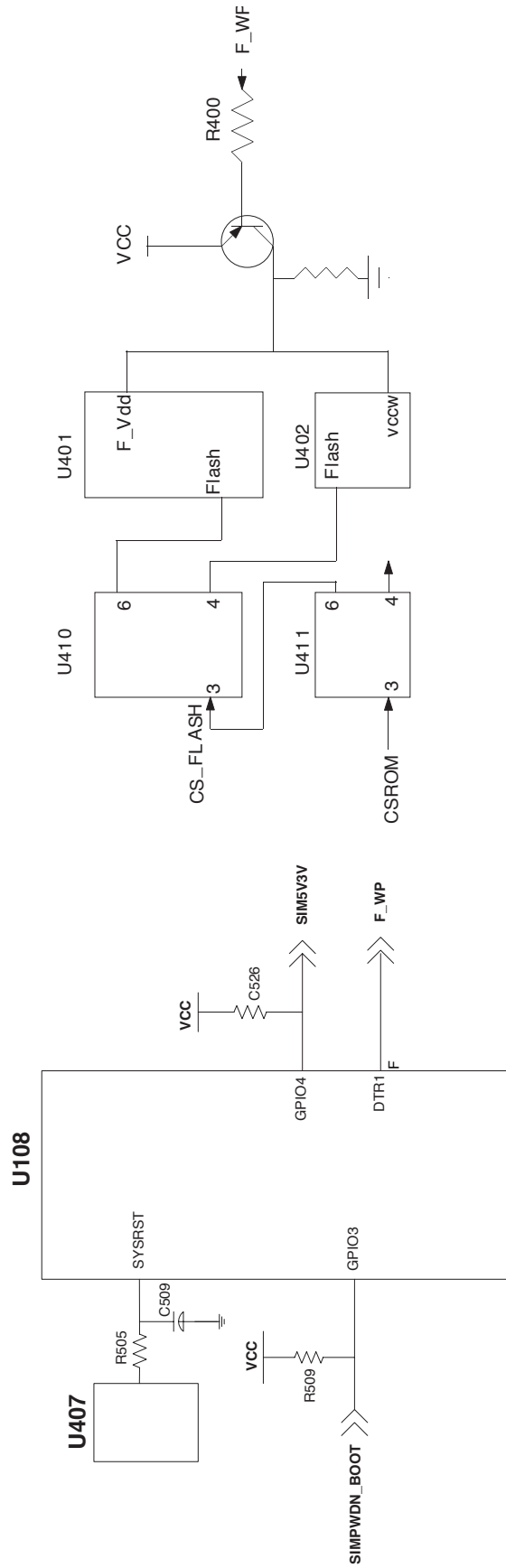
5-1 Power ON



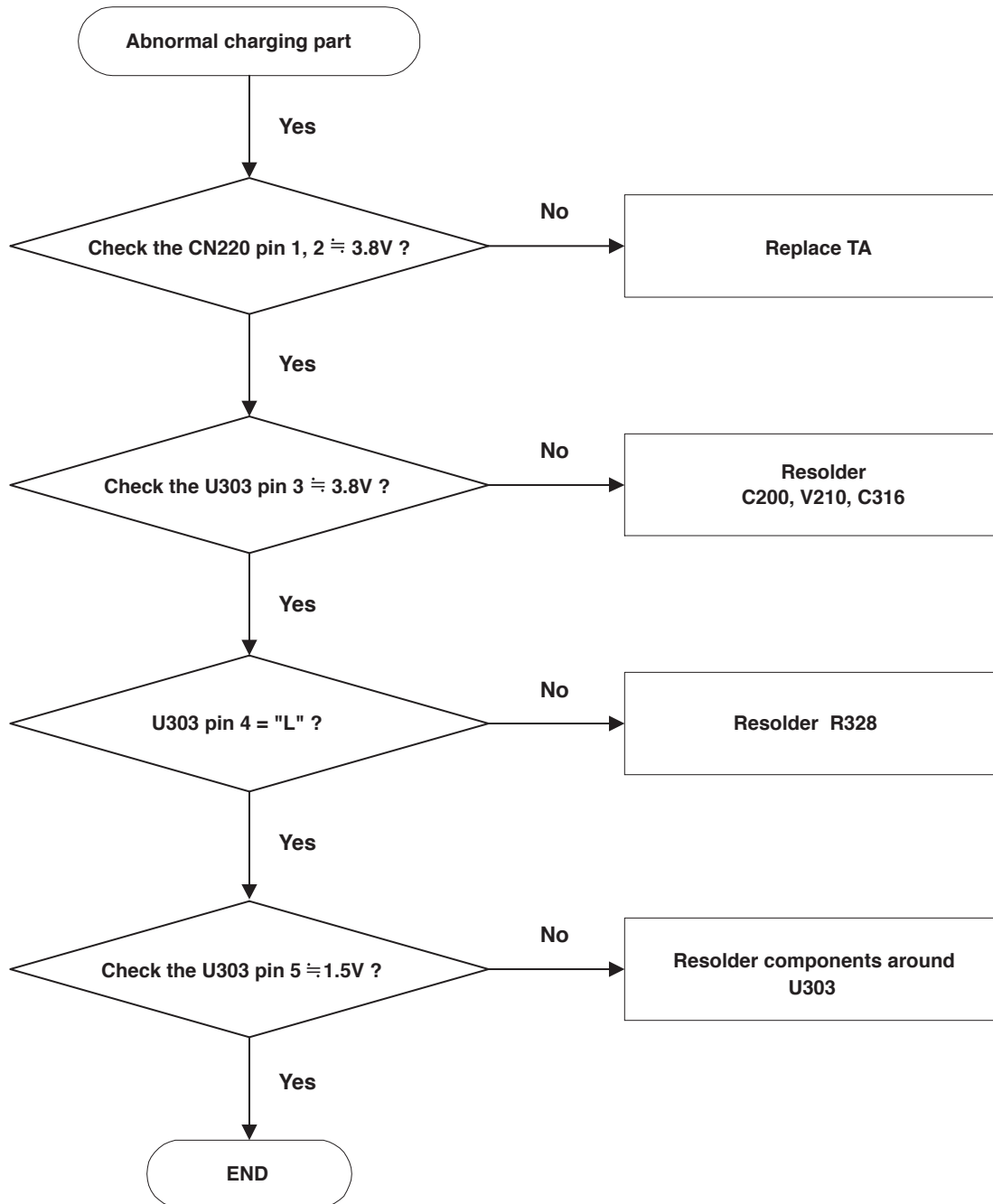


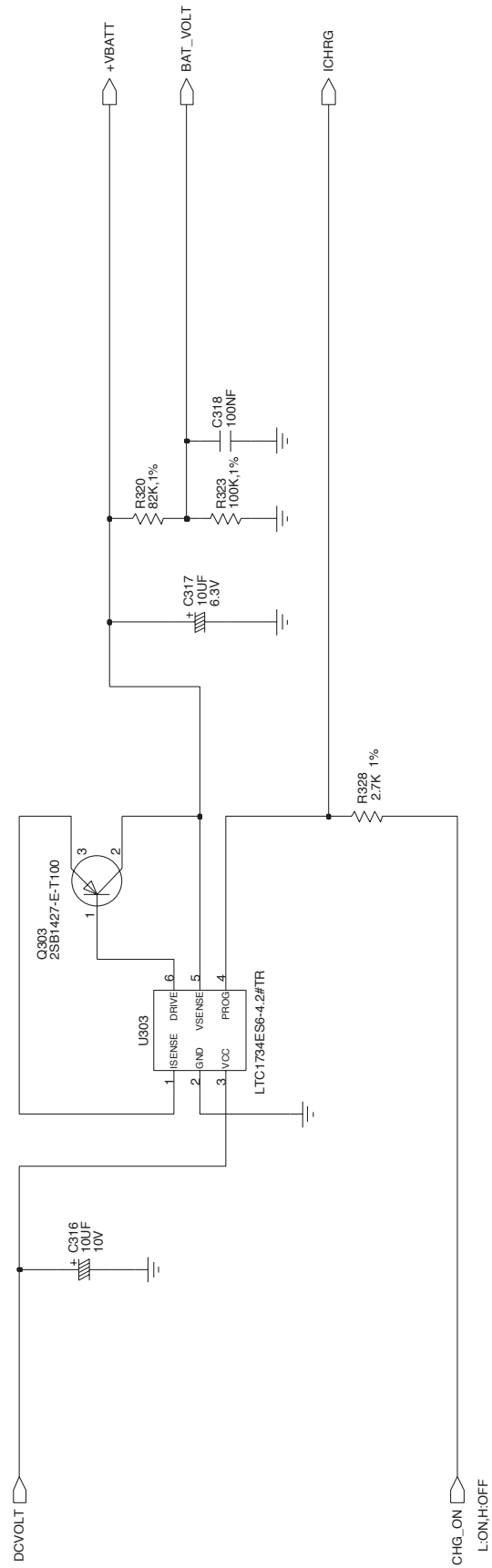
5-2 Initial



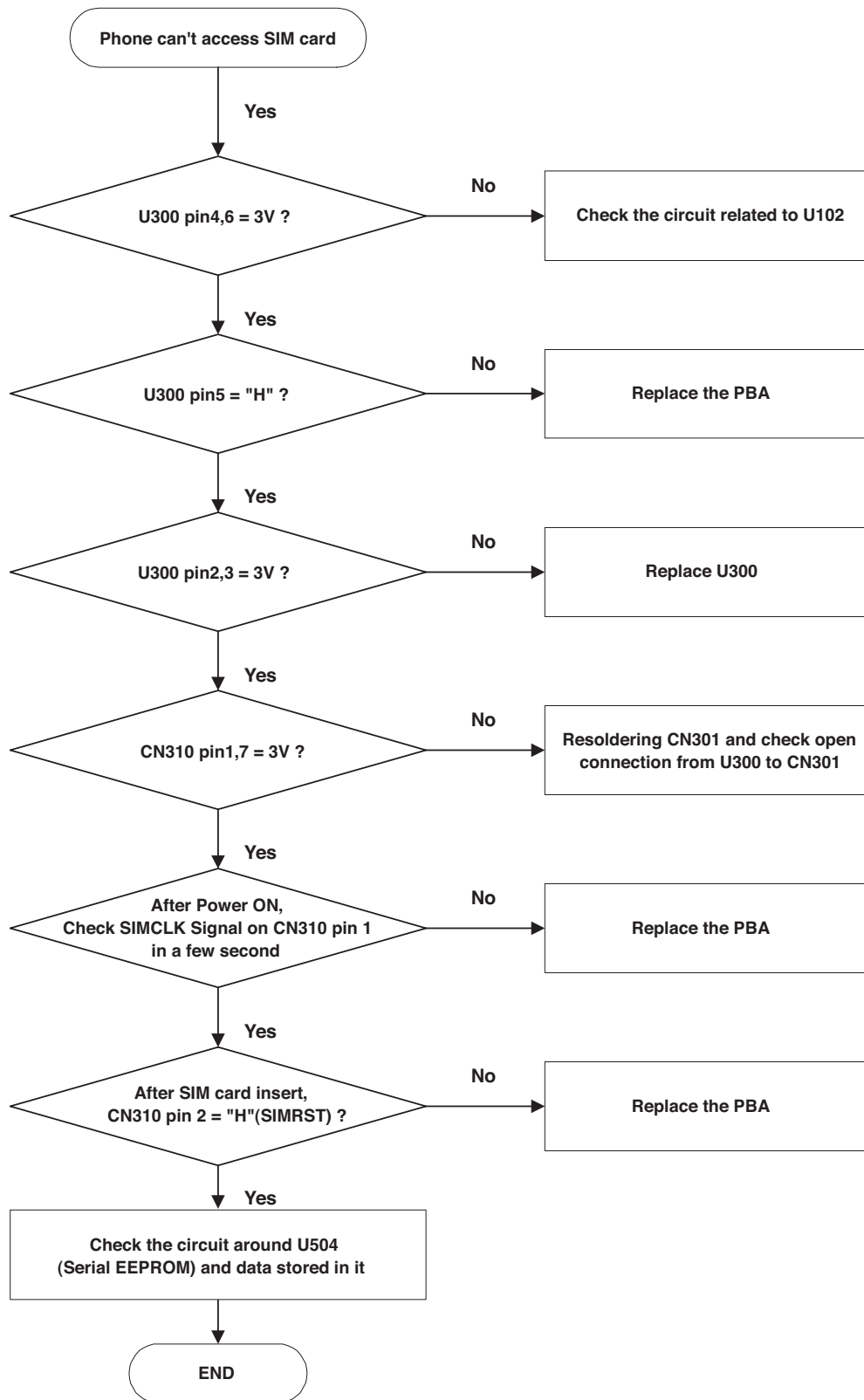


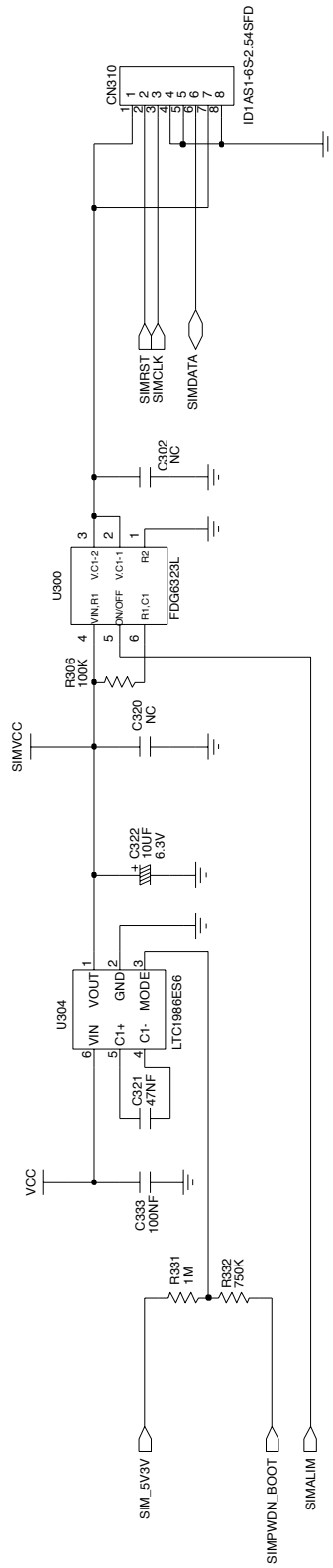
5-3 Charging Part



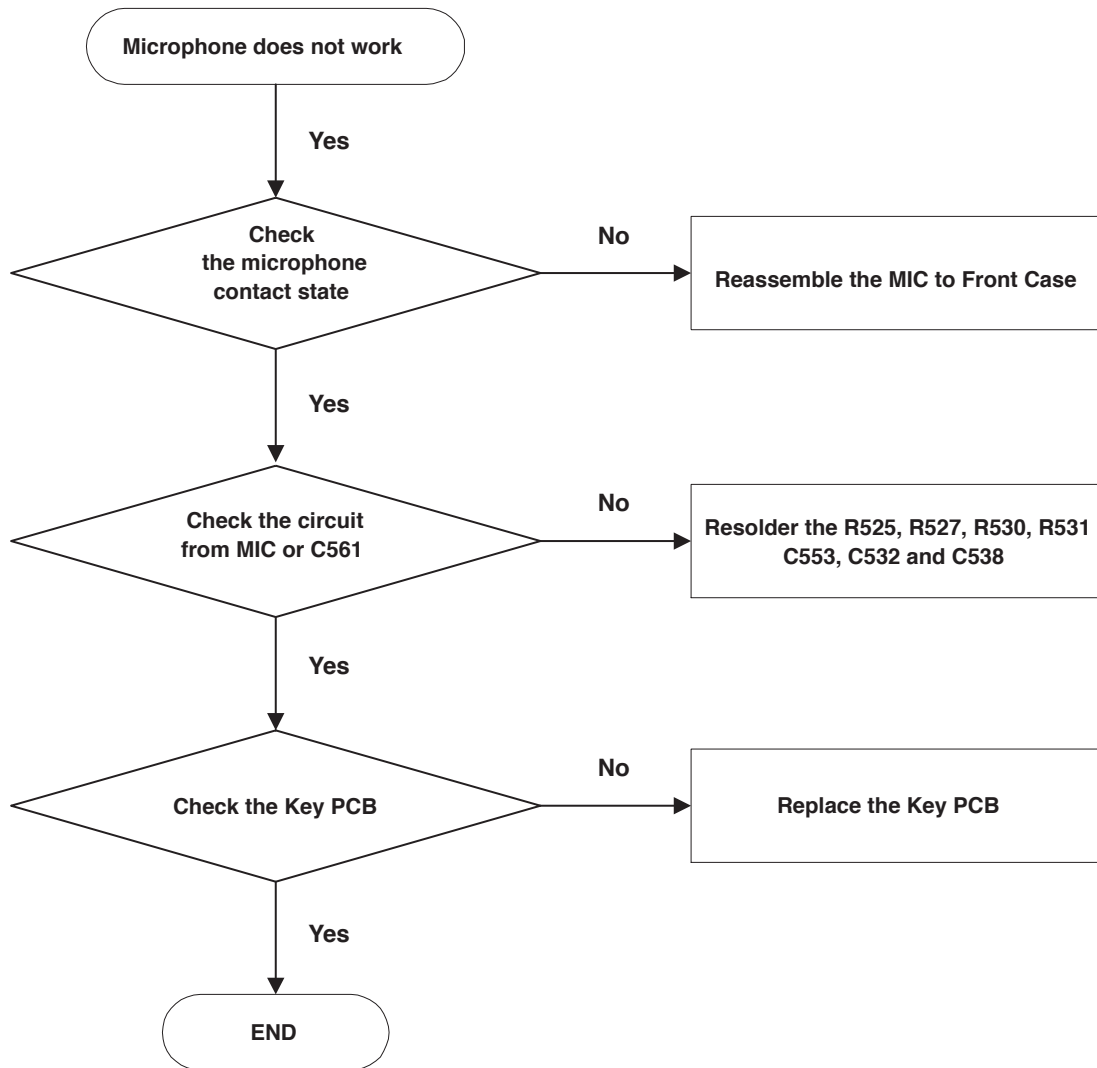


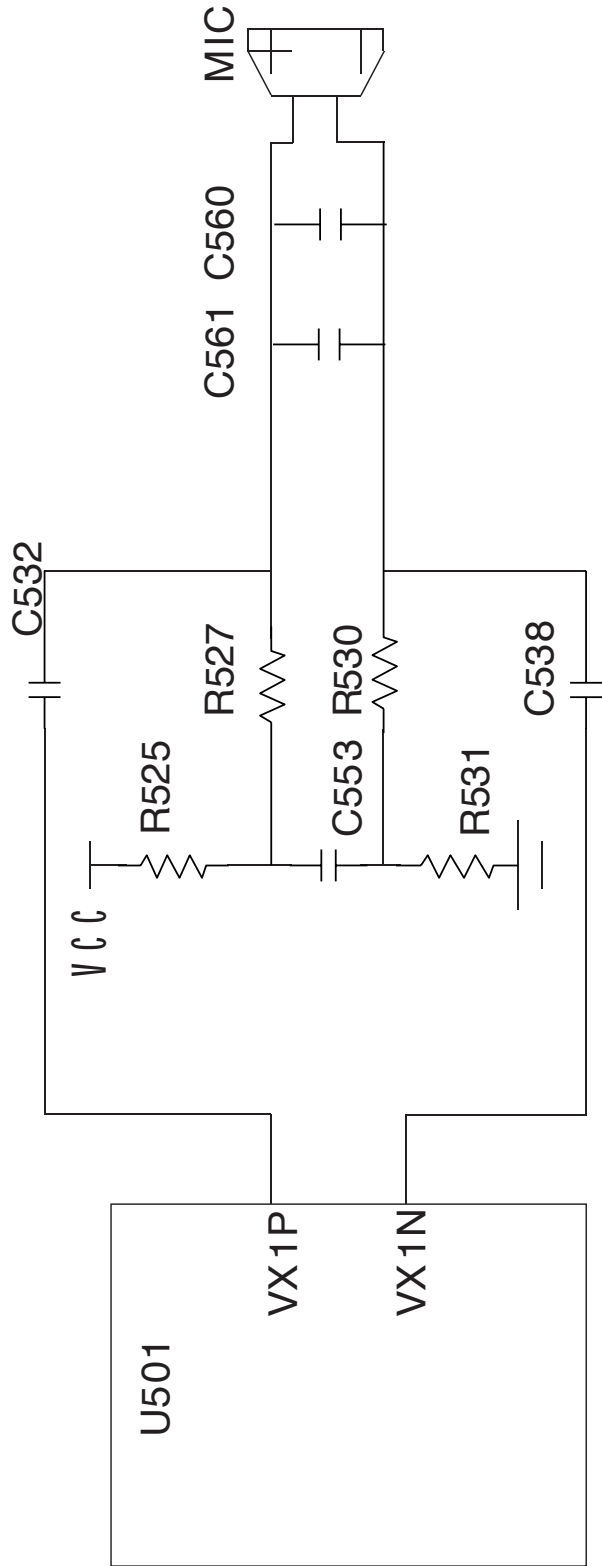
5-4 Sim Part



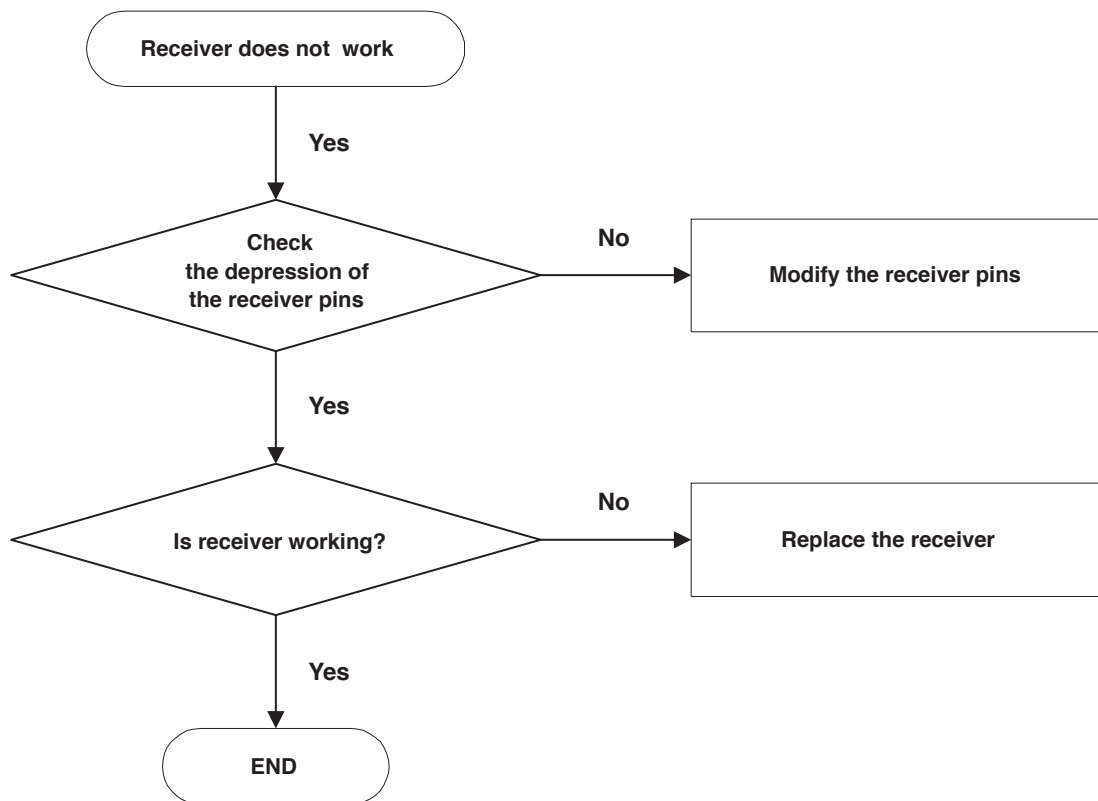


5-5 Microphone Part

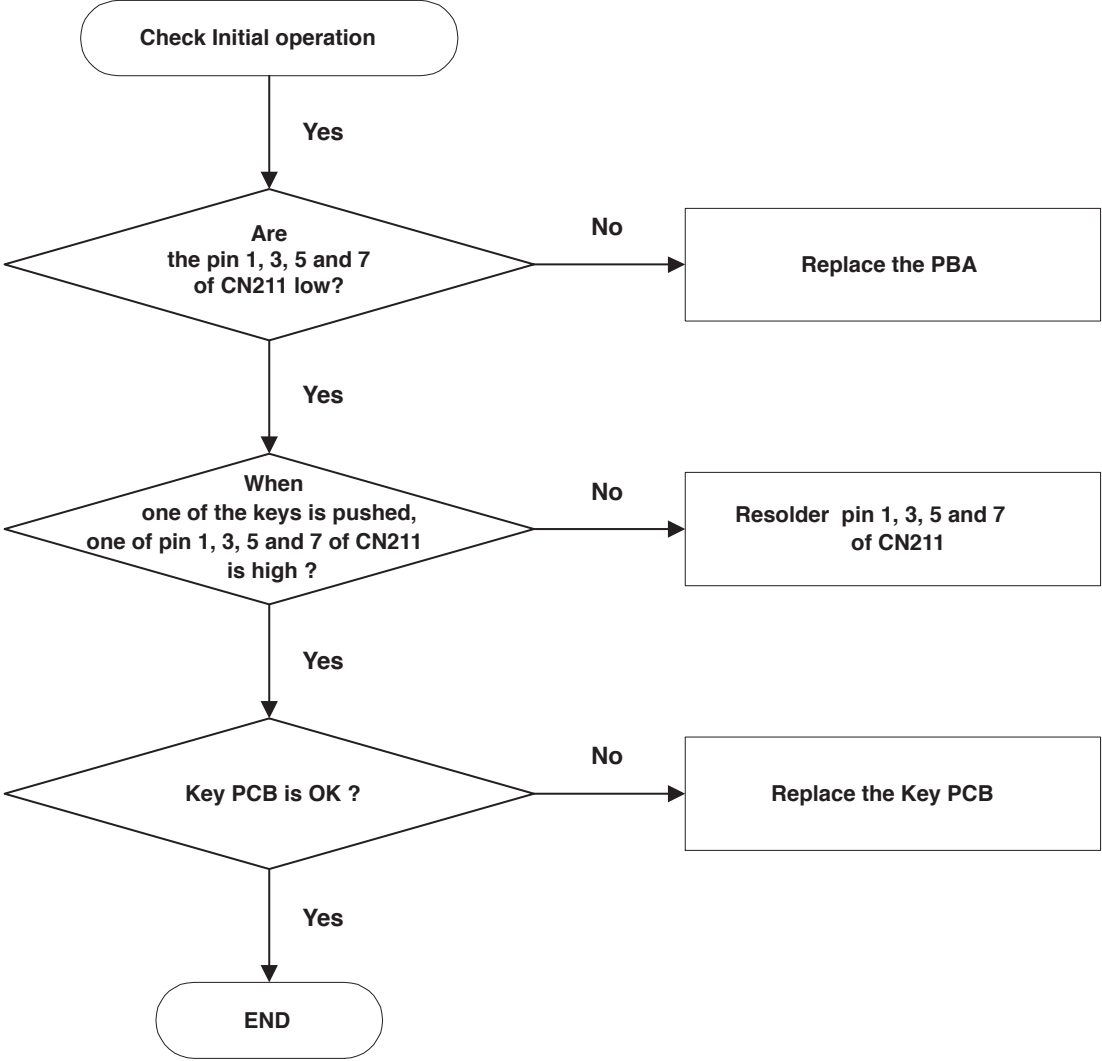


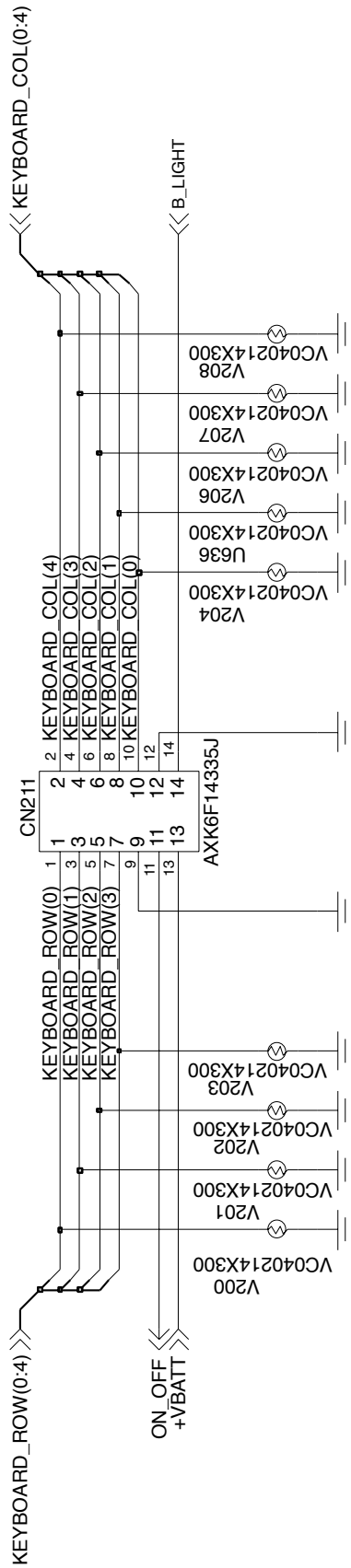


5-6 Speaker Part

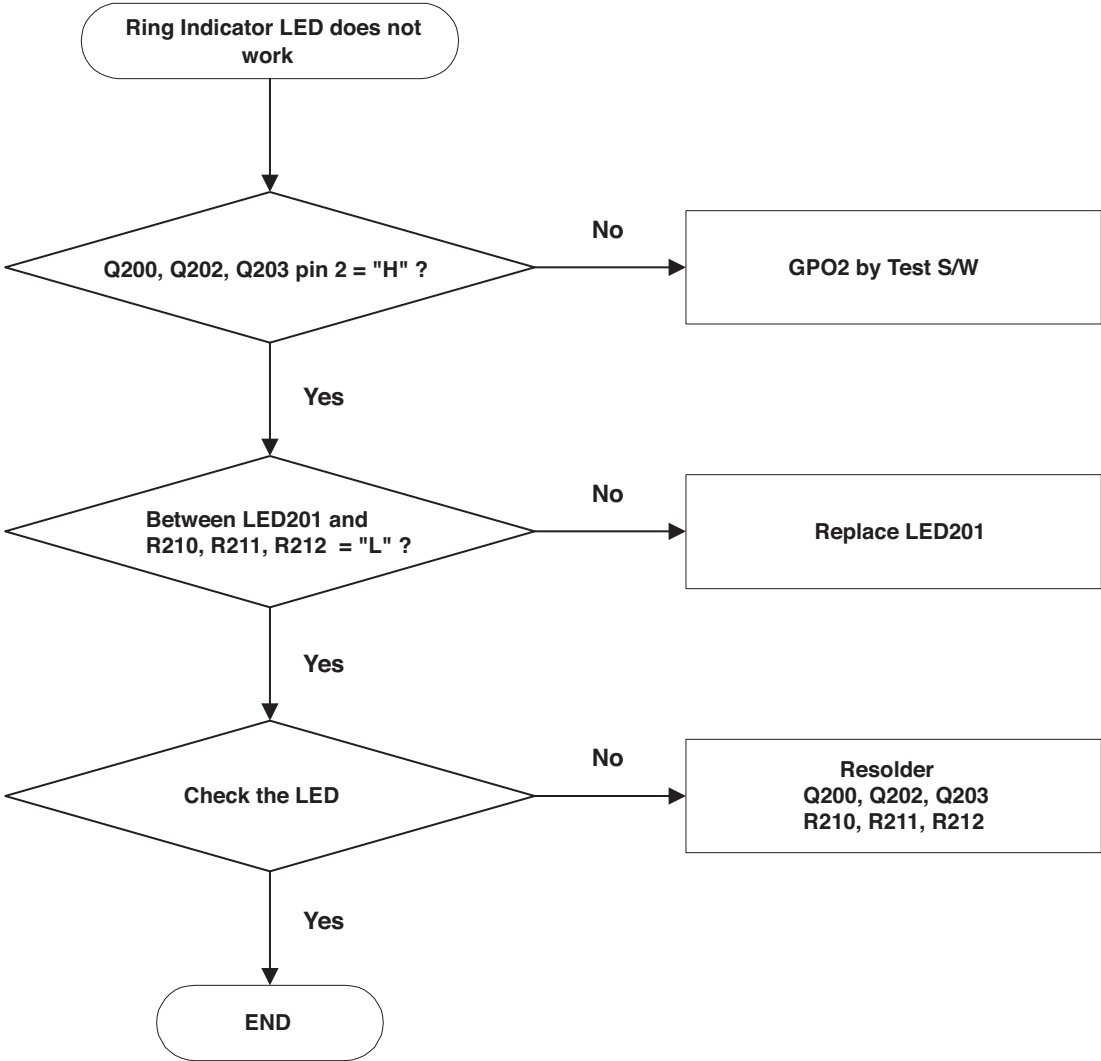


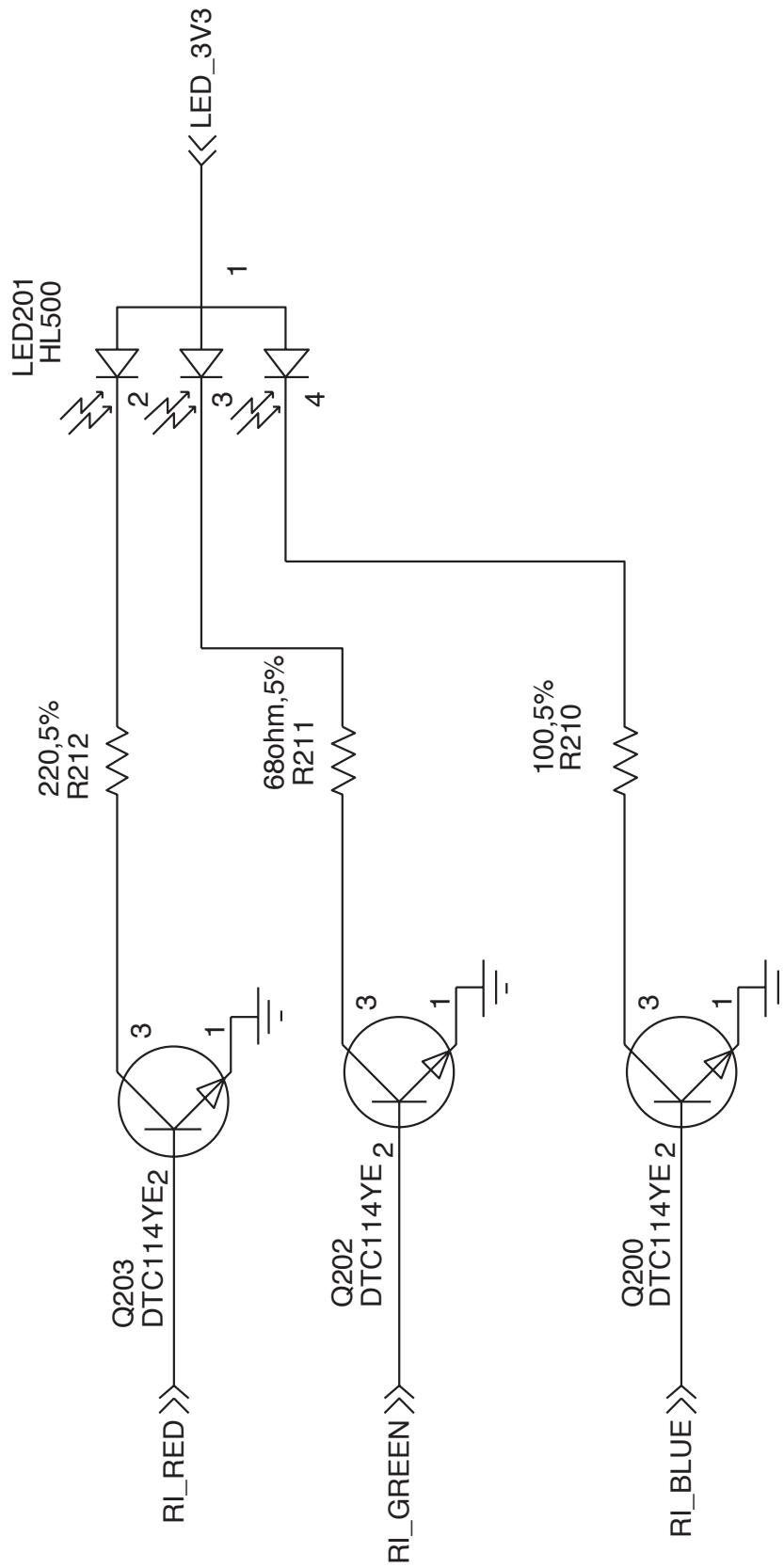
5-7 Key Data Input



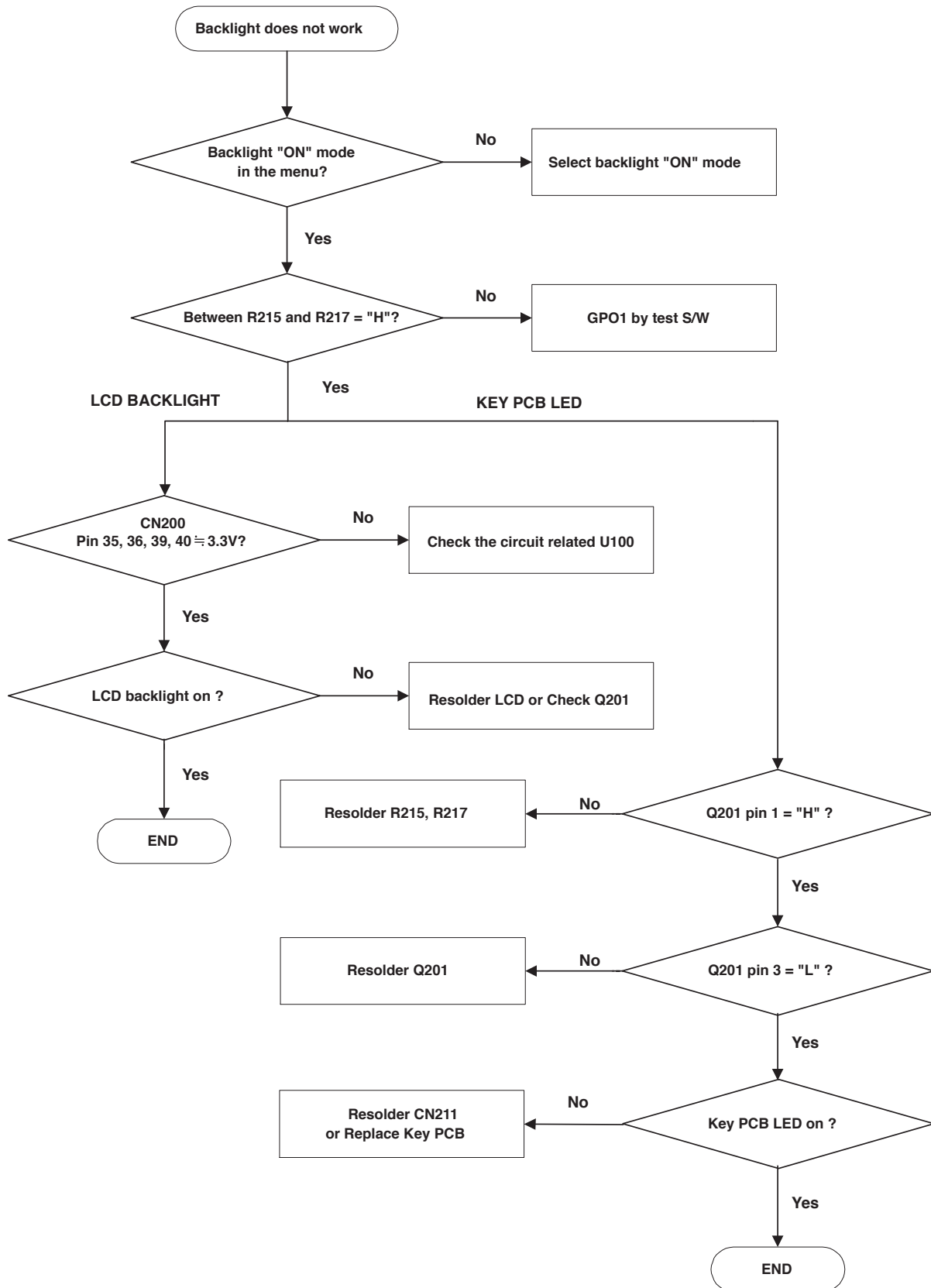


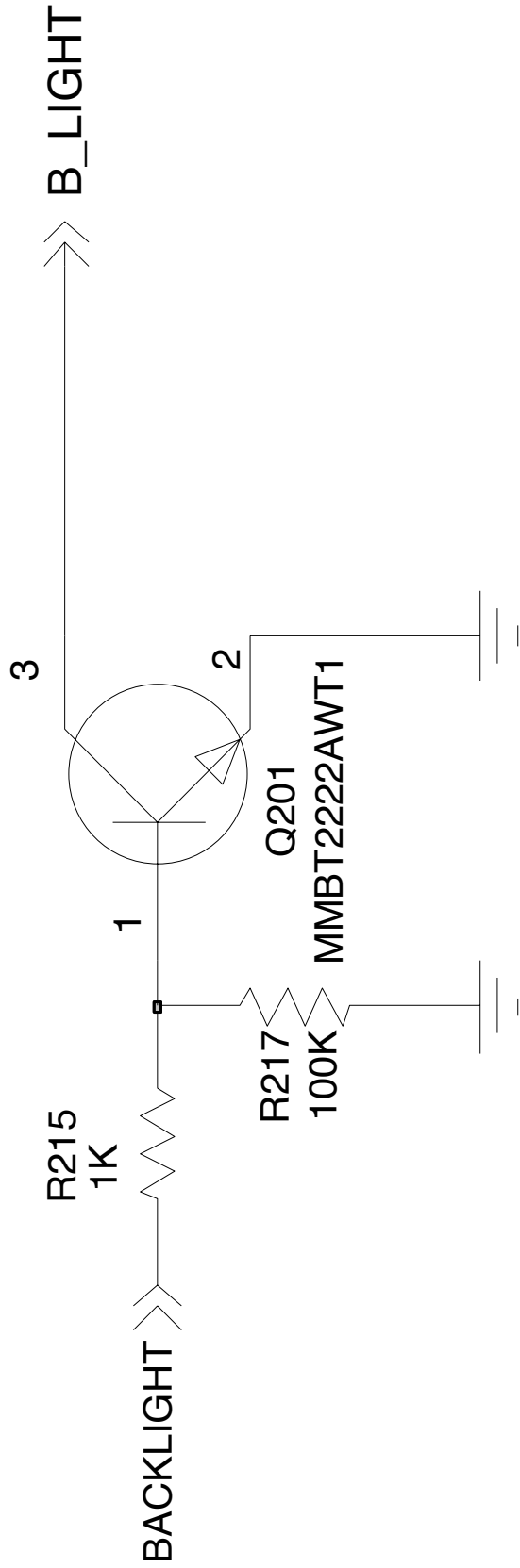
5-8 Ring Indicator



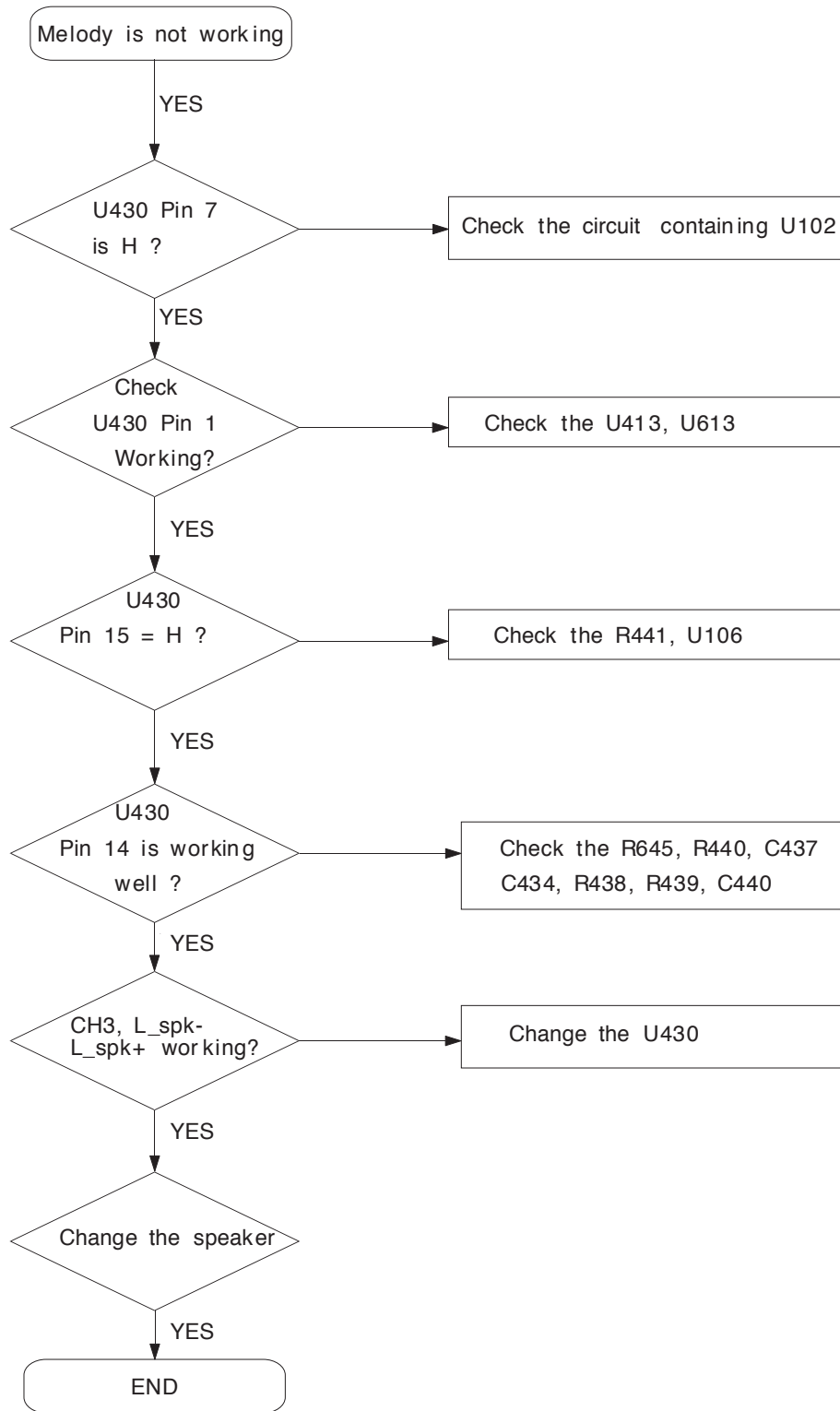


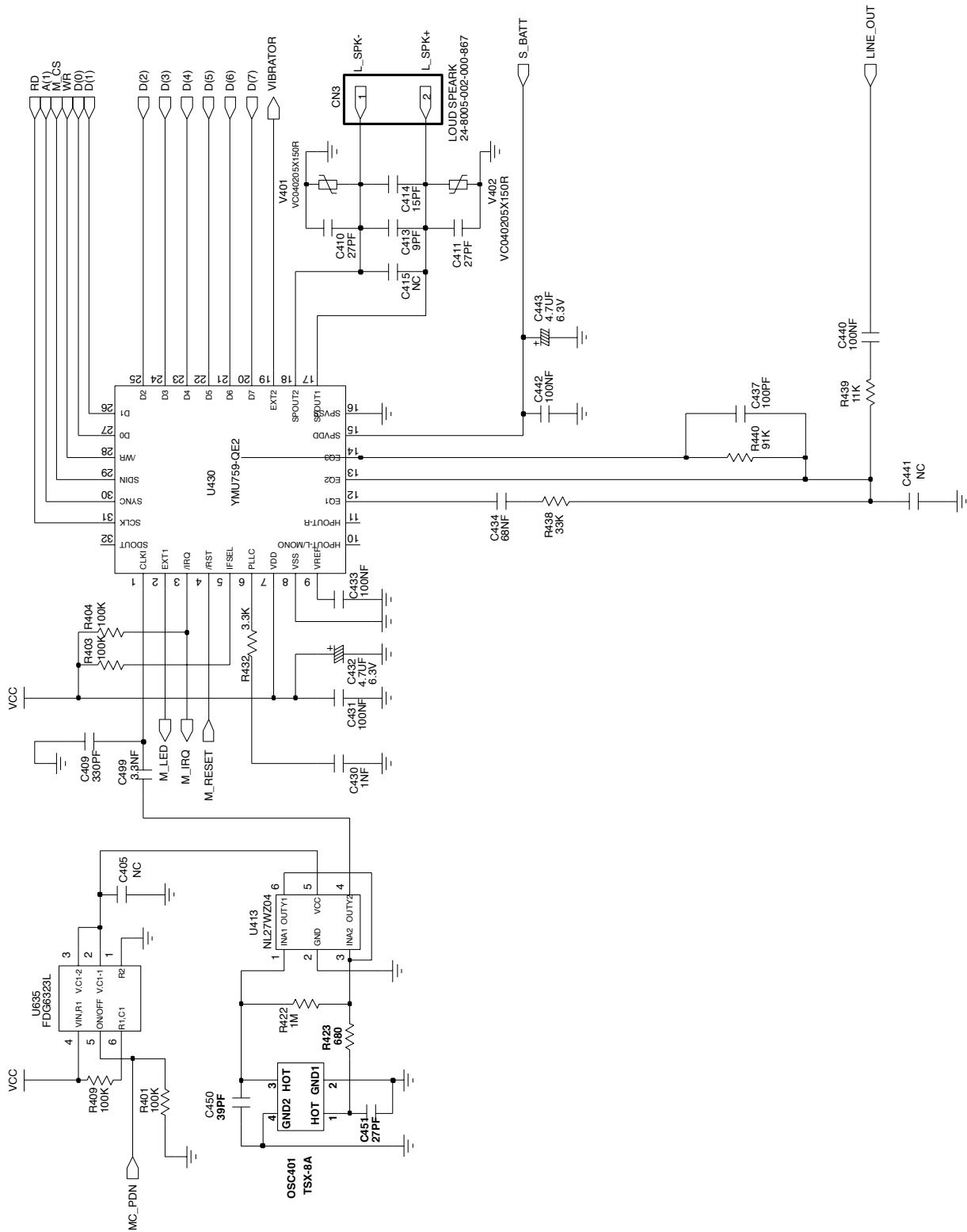
5-9 Back Light



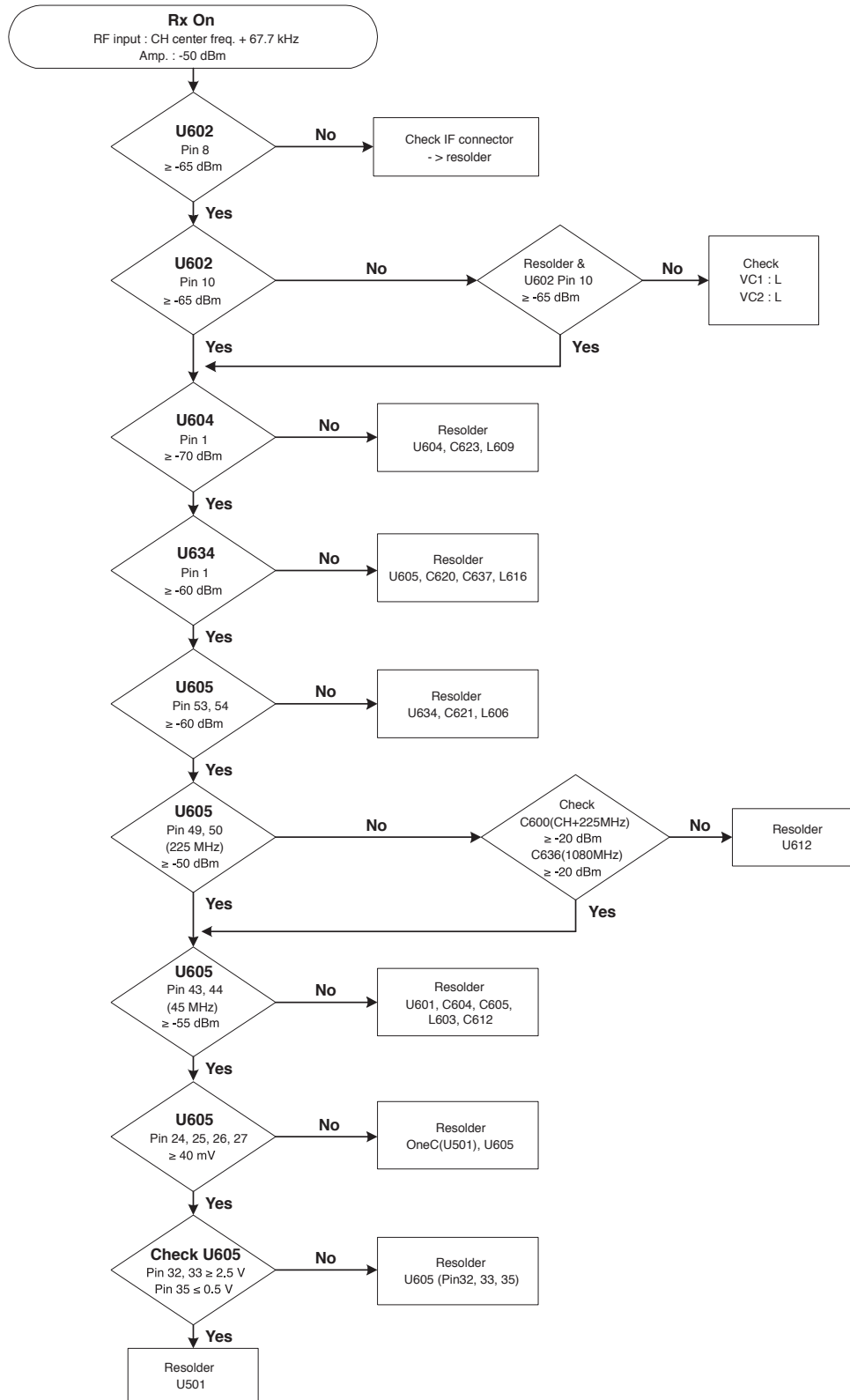


5-10 Melody Part

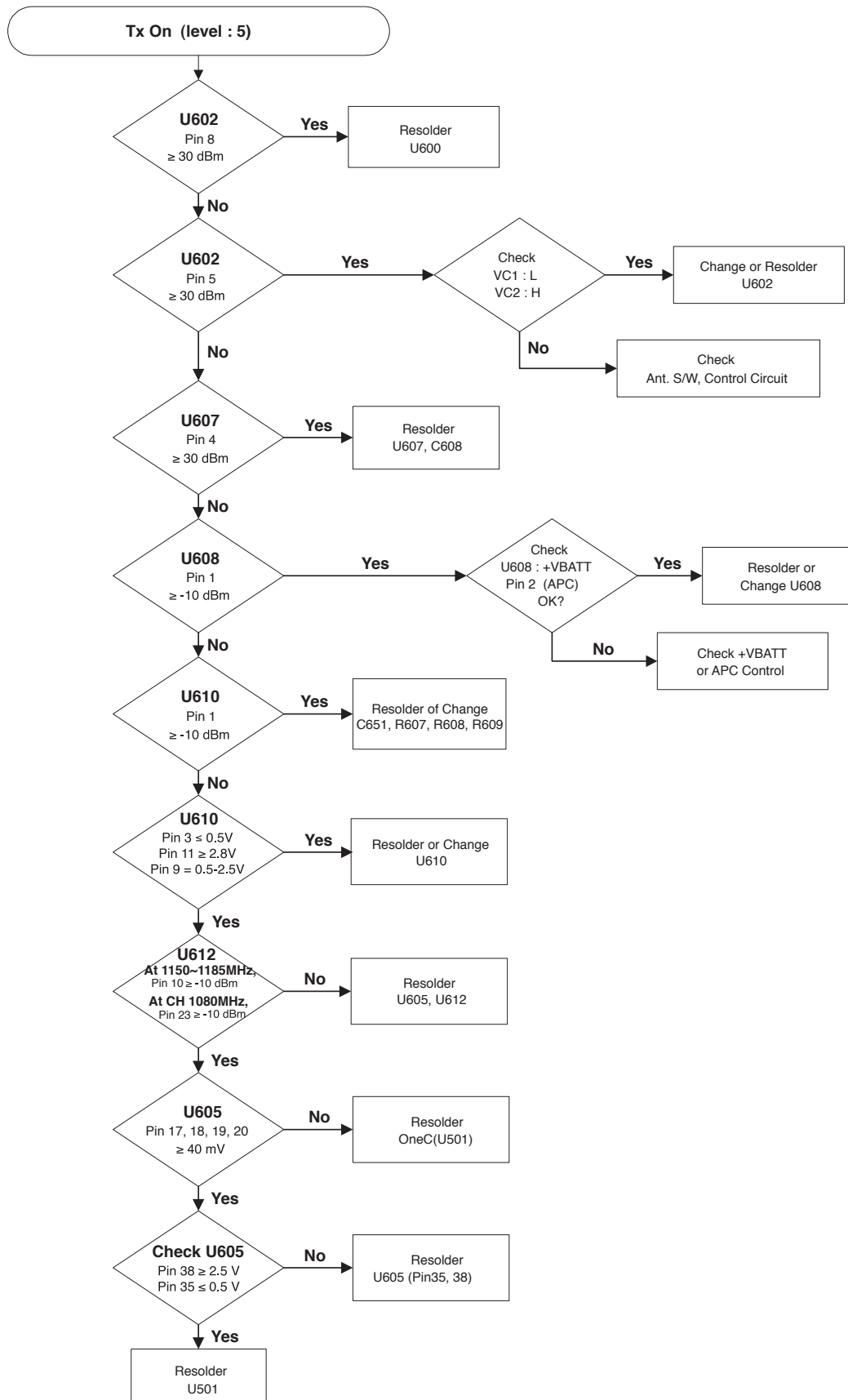




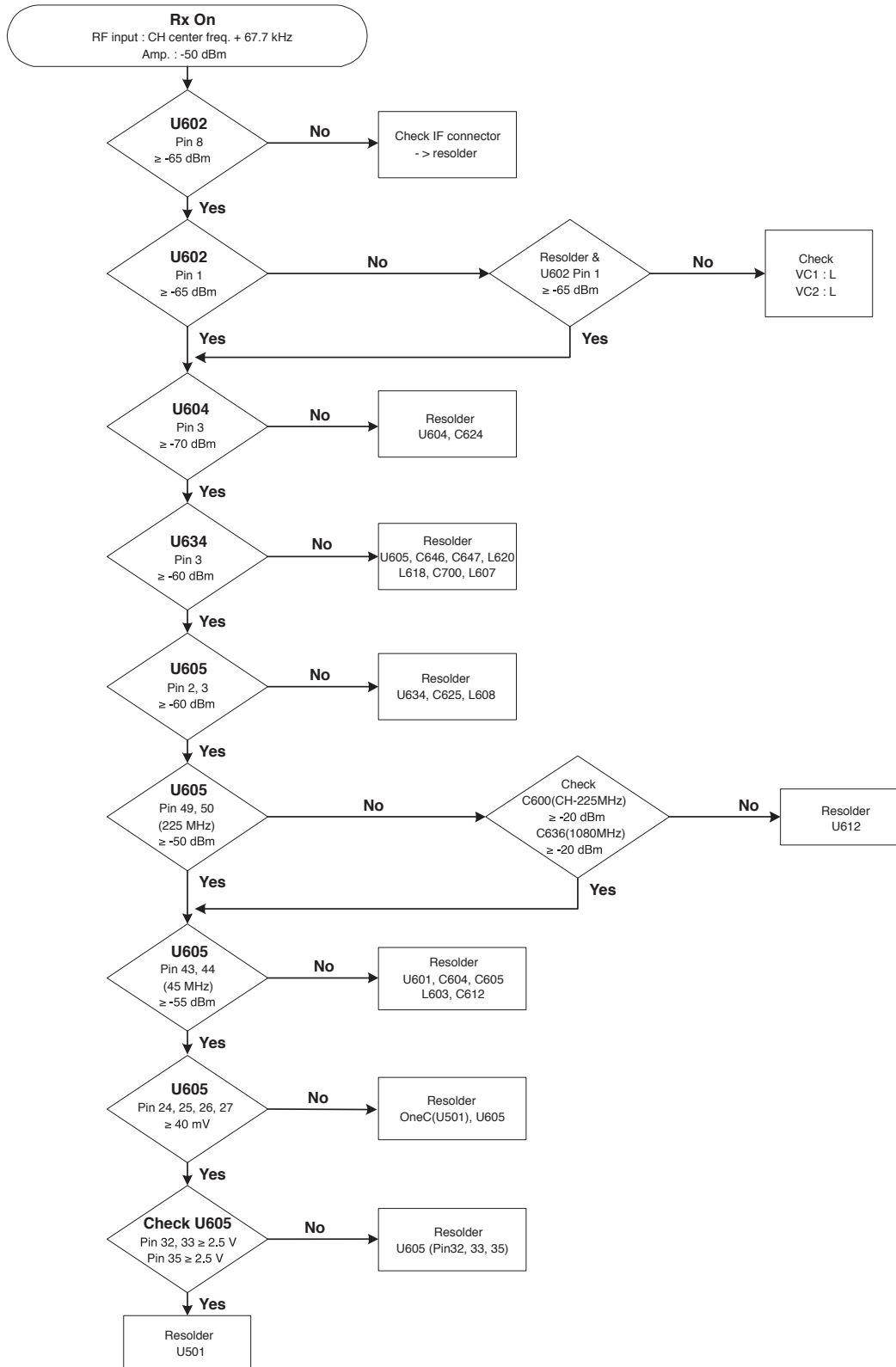
5-11 GSM Receiver



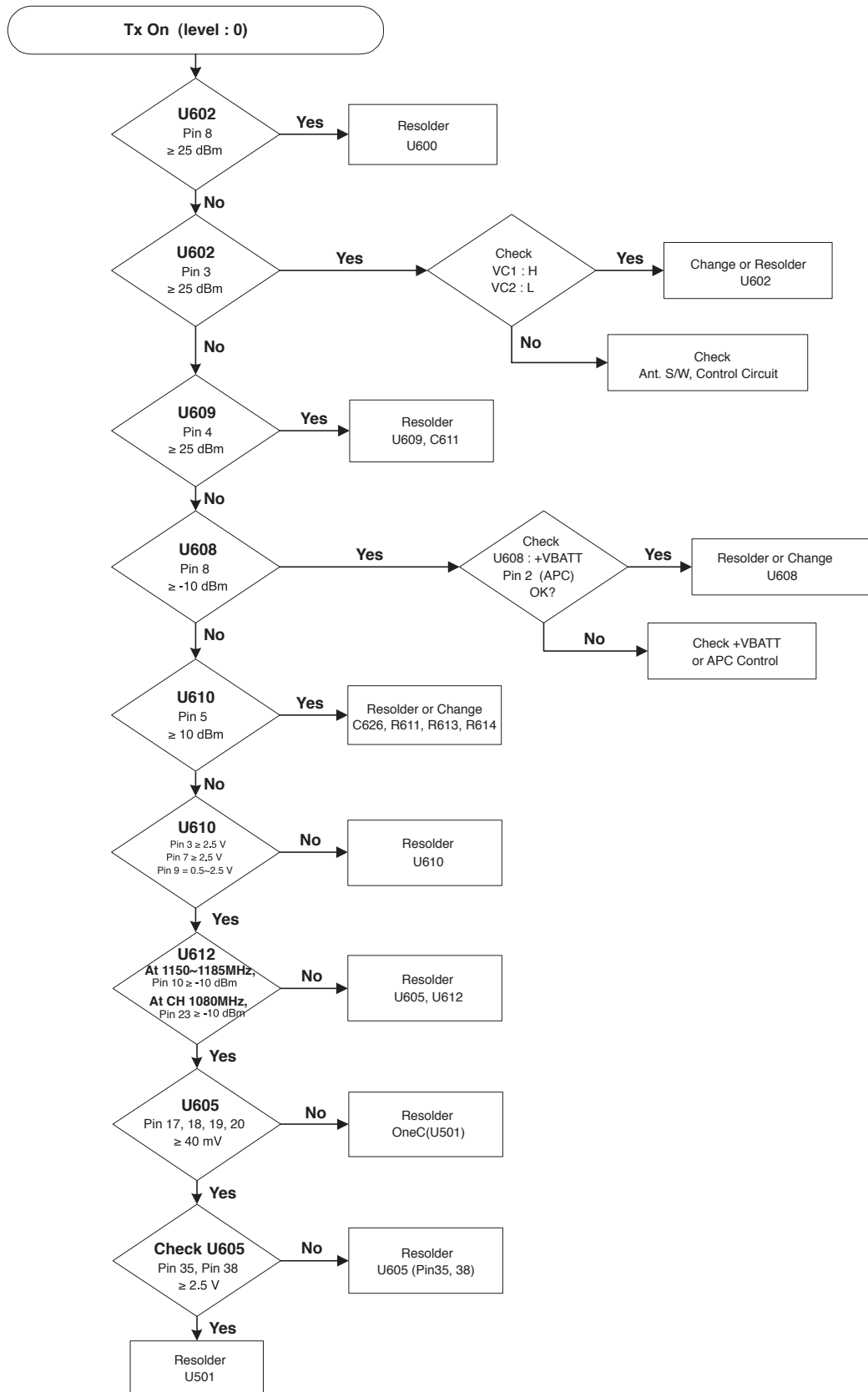
5-12 GSM Transmit

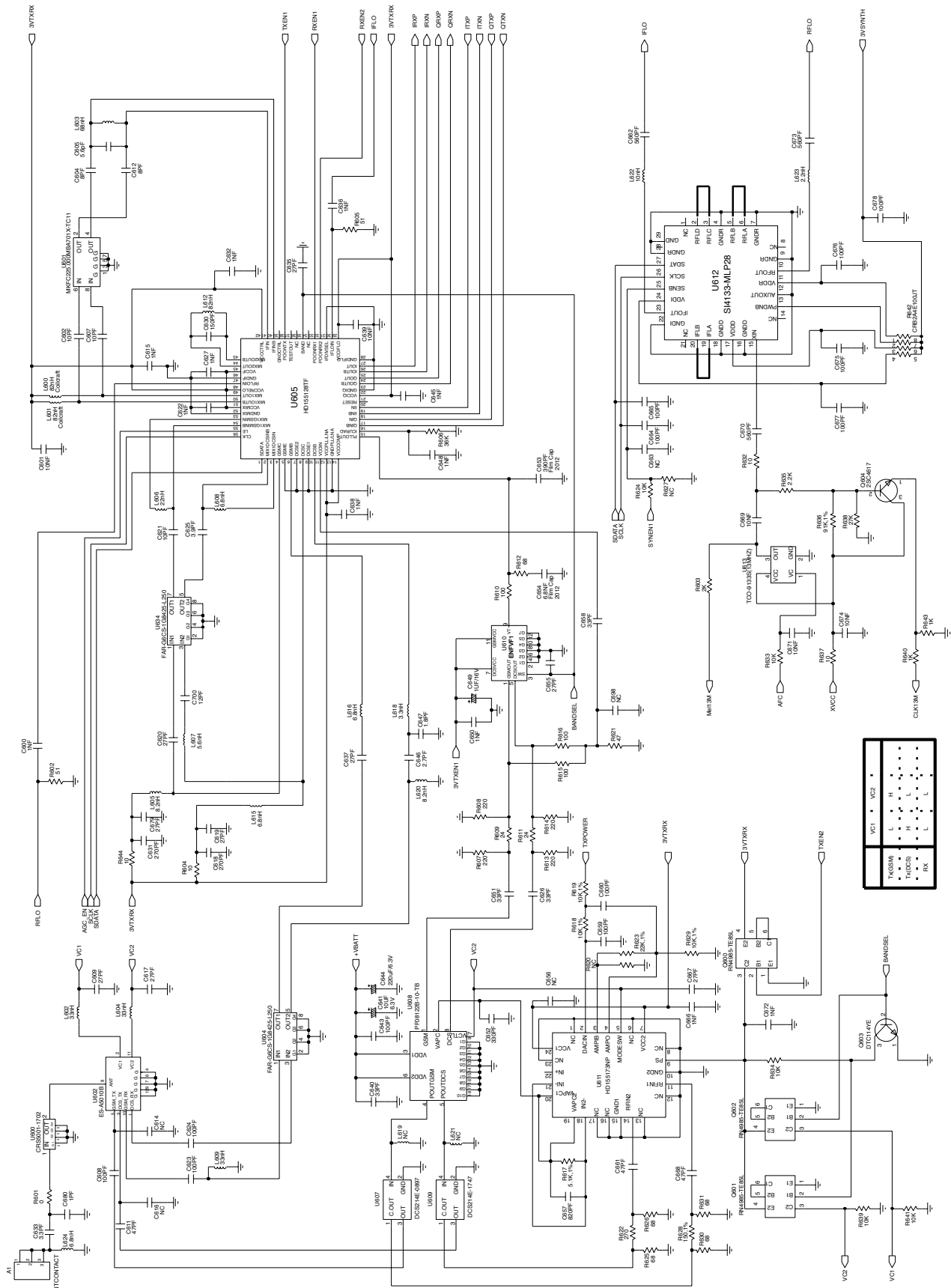


5-13 DCS Receiver



5-14 DCS Transmit





	V1	V2
TX GSM	L	H
TX GPRS	L	H
RK	L	L